

Test & Drain Valve A61 Series

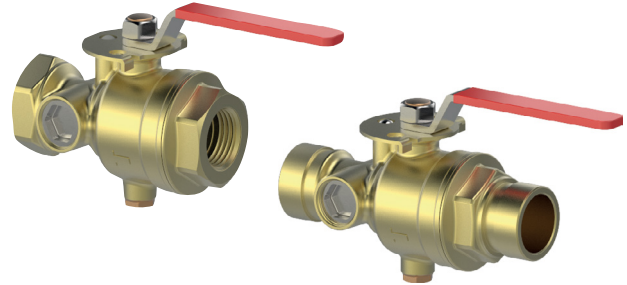
R0030A

Technical Data

Rated Pressure: 300 psi

Materials:

Forged brass body
 Chrome plated ball
 Steel handle
 Valve seat in PTFE
 Indication Disk in Brass
 Sight glasses in polycarbonate



Description

Giacomini A61 Test and Drain valve for sprinkler systems combines the functions of test and drain for wet sprinkler systems. A61 valves feature a forged brass body with chrome plate brass ball valve and PTFE seats. The valves comply with the requirements of NFPA-13, NFPA-13R and NFPA-13D. The A61 valves are single handle ball valves with three working positions. They include tamper resistant test orifice and sight glass for the visual control.

Product specifications

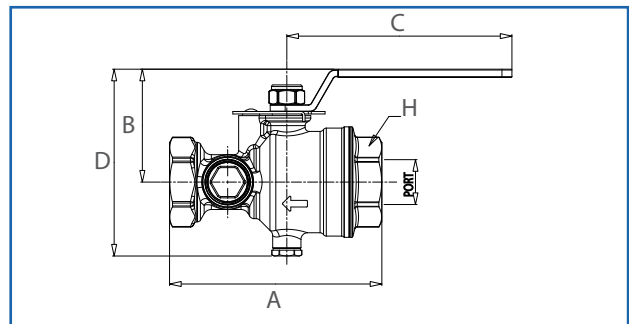
A61

Test and drain valve for sprinkler systems combines the functions of test and drain for wet sprinkler systems. complies with the requirements of NFPA-13, NFPA-13R and NFPA-13D and is FM approved and UL listed.

Main feature as following:

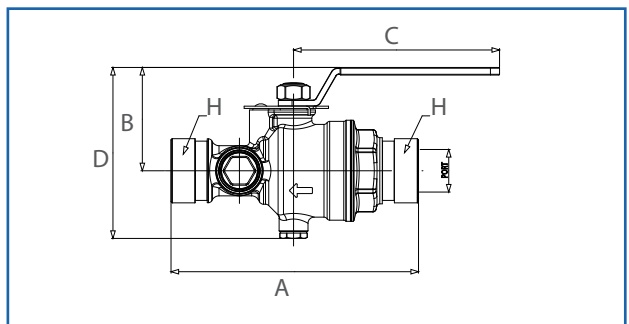
- NPT threads 1", 1-1/4" & 2"
- Groove connections 1-1/4" & 2"
- Forged brass body
- Chrome plate brass ball valve
- PTFE seats
- Single handle ball valve with three working positions
- Tamper resistant test orifice and sight glass included

Dimensions Female x Female NPT Threaded



| Size | C (plug) | Port | A | B | C | D | H |
|--------|----------|----------|---------|----------|----------|----------|----------|
| 1" | 1/4" | 1-1/16" | 5-1/32" | 2-43/64" | 5-11/32" | 4-27/64" | 1-57/64" |
| 1-1/4" | 1/4" | 1-1/16" | 5-1/32" | 2-43/64" | 5-11/32" | 4-27/64" | 1-57/64" |
| 2" | 1/4" | 1-12/16" | 6-6/32" | 4" | 6-26/32" | 6-21/64" | 2-40/64" |

Dimensions Groove x Groove



| Size | C (plug) | Port | A | B | C | D | H |
|--------|----------|----------|----------|----------|----------|----------|---------------|
| 1-1/4" | 1/4" | 1-1/16" | 6-13/32" | 2-43/64" | 5-11/32" | 4 27/64" | 1-1/4" Groove |
| 2" | 1/4" | 1-12/16" | 7-17/32" | 4" | 6-26/32" | 6-21/64" | 2" Groove |

Orifice codes

| Valve Size | Size | K Factor |
|------------|------------|------------|
| 1" | 3/8" | 2,8 (40) |
| | 7/16" | 4,2 (60) |
| | 1/2" | 5,6 (80) |
| | 1-7/32" | 8,0 (115) |
| 1-1/4" | 3/8" | 2,8 (40) |
| | 7/16" | 4,2 (60) |
| | 1/2" | 5,6 (80) |
| | 1-7/32" | 8,0 (115) |
| | 5/8" | 11,2 (160) |
| 2" | 3/4" | 14,0 (200) |
| | 7/16" | 4,2 (60) |
| | 1/2" | 5,6 (80) |
| | 1-7/32" | 8,0 (115) |
| | 5/8" | 11,2 (160) |
| | 3/4" | 14,0 (200) |
| | 1-5/16" | 16,8 (240) |
| 1-5/64" | 22,4 (320) | |
| 1-9/64" | 25,2 (360) | |

Version & product codes

| Series | Size | Type |
|--------|--------|----------|
| A61 | 1" | NPT (F) |
| | 1-1/4" | x |
| | 2" | NPT (F) |
| | 1-1/4" | Groove |
| | 2" | x Groove |