

# Reliable

## Model KRes58 HSWX Fusible Link Residential Sprinkler

For NFPA 13, NFPA 13R, and NFPA 13D Applications

cULus Listed

### Features

- cULus Listed Residential Sprinklers
- Horizontal sidewall orientation
- Decorative finishes available, including recessed escutcheons

### Product Description

Model KRes58 HSWX sprinkler is a residential sprinkler with a fusible link operating element. Recessed options are available as detailed in this Bulletin.

The KRes58 HSWX sprinkler is specially engineered for fast thermal response to meet the requirements of UL 1626. They are intended for installation in accordance with NFPA 13, 13R, and 13D.

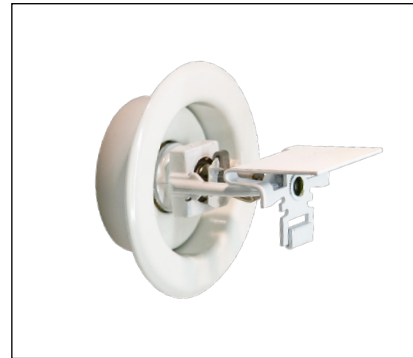
### Application

The Model KRes58 HSWX sprinkler cULus Listed Residential sprinkler is intended for use in accordance with NFPA 13, NFPA 13R, or NFPA 13D. The Model KRes58 HSWX residential sprinkler is cULus Listed for use in residential occupancies and residential portions of any occupancy, where permitted by NFPA 13, NFPA 13R, or NFPA 13D. For NFPA 13R and NFPA 13D applications, the design flow and pressure shall not be less than the minimum flow and pressure specified in the Listed Design Criteria table in this Bulletin. For NFPA 13 applications, the design density shall be a minimum of 0.1 gpm/sf (4.1 mm/min), but in no case shall the flow and pressure be less than the minimum flow and pressure specified in the Listed Design Criteria tables in this bulletin. Model KRes58 HSWX sprinklers are listed for use in wet systems only.

### Installation

Models KRes58 HSWX sprinklers are to be installed as shown in this bulletin. Model F2 and FV recessed escutcheons are the only recessed escutcheons to be used with the Model KRes58 HSWX sprinkler. Use of any other recessed escutcheon will void all approvals and warranties.

For installing Model KRes58 HSWX sprinklers, use only the Model W2 sprinkler Wrench; for installing Models KRes58 HSWX recessed sprinklers, use only the Model GFR2 sprinkler wrench. Use of wrenches other than those specified may damage these sprinklers.



KRes58 HSWX

Installation of the KRes58 HSWX sprinkler in a wall or ceiling will require a hole diameter of 2-1/4" (57 mm) F2 and FV recessed escutcheons.

Install KRes58 HSWX sprinklers with a ceiling to deflector distance that complies with the hydraulic design criteria tables in this bulletin. The flow arrow on deflector must point away from near wall and "Top" marking must face the ceiling.



Model W2



Model GFR2

**Technical Specifications**

**Style:** Horizontal Sidewall  
**Threads:** 1/2" NPT or ISO7-1R1/2  
**Nominal K-Factor:** 5.8 (84 metric)  
**Max. Working Pressure:** 175 psi (12 bar)

**Finishes**

(See Table B)

**Temperature Ratings**

165°F (74°C)

**Material Specifications**

**Thermal Sensor:** Nickel Alloy fusible link  
**Sprinkler Frame:** Brass Alloy  
**Button:** Copper Alloy  
**Sealing Assembly:** Nickel Alloy with PTFE  
**Load Screw:** Bronze Alloy  
**Deflector:** Bronze Alloy  
**Lever:** Stainless Steel  
**Strut:** Stainless Steel

**Recessed Escutcheons**

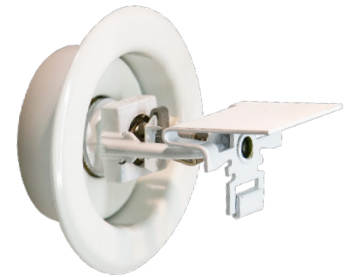
F2 Recessed  
 FV Recessed

**Sprinkler Wrenches**

Model W2  
 Model GFR2 (recessed)

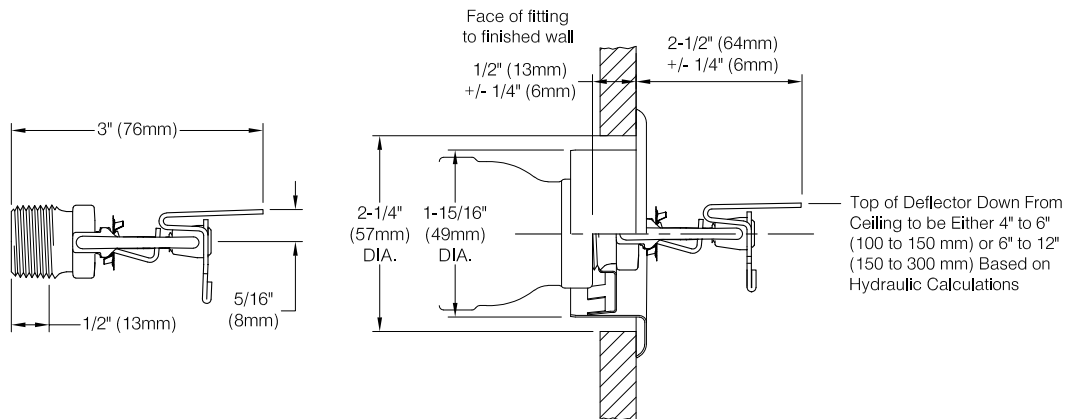
**Listings and Approvals**

cULUs



**Model KRes58 HSWX Sprinkler Components and Dimensions**

**Figure 1**



**Dimensions**

**F2 & FV Recessed Escutcheon Installation**

**Model KRes58 HSWX Sprinkler Hydraulic Design Criteria**

**Table A**

Minimum Flow and Residual Pressure			
Max. Coverage Area ft. x ft. (m x m)	Flow gpm (l/min)	Pressure psi (bar)	Deflector to Ceiling Distance
18 x 20 (5,5 x 6,1)	29 (109)	25 (1,72)	4 to 6 inches (100 to 150 mm)
20 x 20 (6,1 x 6,1)	30 (114)	26.8 (1,85)	
16 x 22 (4,9 x 6,7)	33 (125)	32.4 (2,23)	
16 x 24 (4,9 x 7,3)	38 (144)	42.9 (2,96)	
14 x 26 (4,3 x 7,9)	42 (160)	52.4 (3,75)	
18 x 20 (5,5 x 6,1)	35 (133)	36.4 (2,5)	6 to 12 inches (150 to 300 mm)
16 x 22 (4,9 x 6,7)	38 (144)	42.9 (2,96)	
16 x 24 (4,9 x 7,3)	42 (160)	52.4 (3,6)	
14 x 26 (4,3 x 7,9)	46 (174)	62.9 (4,34)	

**Note:** For coverage area dimensions less than or between those listed above, use the minimum required flow for the next highest coverage area for which hydraulic design criteria are stated.

Sprinkler Finishes		Special Application Finishes	
Sprinkler <sup>(1)</sup>	Escutcheon	Sprinkler <sup>(1)</sup>	Escutcheon
Bronze	Brass	Bright Brass	Bright Brass
Chrome Plated	Chrome Plated	Dull Chrome	Dull Chrome
White Polyester	White Polyester	Black Polyester	Black Polyester
--	--	Custom Color Polyester	Custom Color Polyester

**Notes:**

(1) Paint or any other coating applied over the factory finish will void all approvals and warranties.

**Maintenance**

Reliable Model KRes58 HSWX Sprinklers should be inspected and the sprinkler system maintained in accordance with NFPA 25, 13, 13D, and 13R, as well as the requirements of any Authorities Having Jurisdiction.

Prior to installation, sprinklers should remain in the original cartons and packaging until used. This will minimize the potential for damage to sprinklers that could cause improper operation or non-operation.

Do not clean sprinklers with soap and water, ammonia liquid or any other cleaning fluids. Remove dust by gentle vacuuming without touching the sprinkler.

Replace any sprinkler which has been painted (other than factory applied).

Replace any sprinkler which has been damaged.

A stock of spare sprinklers should be maintained to allow quick replacement of damaged or operated sprinklers. Failure to properly maintain sprinklers may result in inadvertent operation or non-operation during a fire event.

**Listings and Approvals**

Listed by Underwriters Laboratories, Inc. and UL Certified for Canada (cULus)

**Guarantee**

For the Reliable Automatic Sprinkler Co., Inc. guarantee, terms, and conditions, visit [www.reliablesprinkler.com](http://www.reliablesprinkler.com).

**Patents**

For patents applicable to products contained in this technical bulletin, please visit [www.r-s.co](http://www.r-s.co)

**Ordering Information**

**Specify:**

- Sprinkler
  - Model KRes58 HSWX
  - Finishes: See Table B
- Escutcheon
  - Model: F2 or FV
  - Finishes: See Table B
- Sprinkler Wrench
  - Model W2
  - Model GFR2 (recessed)