

Reliable®

Model FT Recessed Escutcheon

"For International Use Only"

Bulletin 210

The following sprinklers are approved for use with the Model FT Recessed Escutcheon:

MODEL FT ESCUTCHEON USAGE			
SPRINKLER MODEL	SIN#	AGENCY APPROVALS	SEE FIGURE
F1 RES 30	R3511	UL	1
F1 RES 49	R3516	UL	
F1 RES 58	R3513	UL	
F156	RA1314	UL, FM	
F1FR56 QREC	RA2845	UL	
F1FR56	RA1414	UL, FM	
F1FR28	RA1411	UL	
F1FR42	RA1413	UL	
F128	RA1311	UL	
F142	RA1313	UL	
KFR 56	RA3614	UL	2
GFR 28	R3111	UL	3
GFR 42	R3113	UL	
GFR 56	R3115	UL	
F1 56 HSW	RA1335	UL, FM	4
F1FR 56 HSW	RA1435	UL	
F1RES 44 HSW	R3531	UL	5
F1RES 58 HSW	R3533	UL	
F1FR HSW EC8	RA2865	UL, (FM 135°F [57°C] ONLY)	6
G HSW EC4	R1265	UL	7
G 28 HSW	R1231	UL	
G 42 HSW	R1233	UL	
G 56 HSW	R1235	UL	
GFR 28 HSW	R3131	UL	
GFR 42 HSW	R3133	UL	
GFR 56 HSW	R3135	UL	
DH56	RA1564	UL	



Available in: 1/2" Size Only
Chrome Finish
White Paint Finish

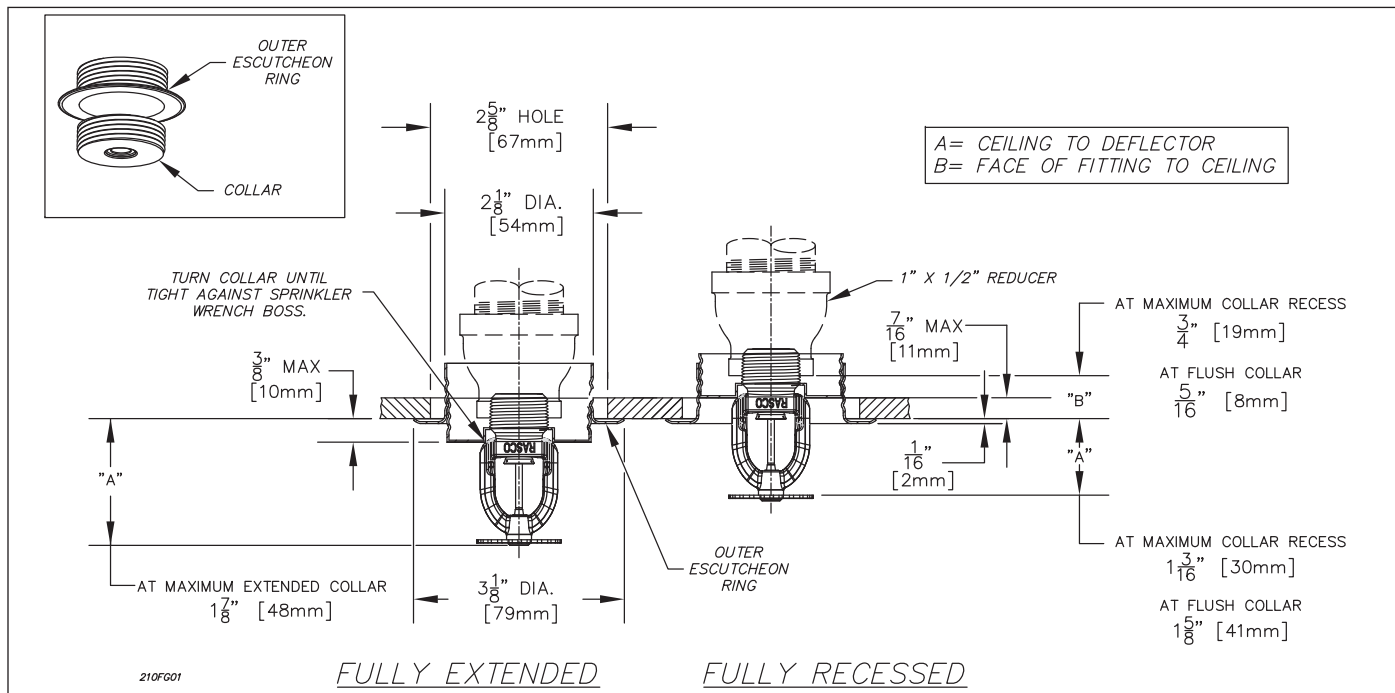


Figure 1

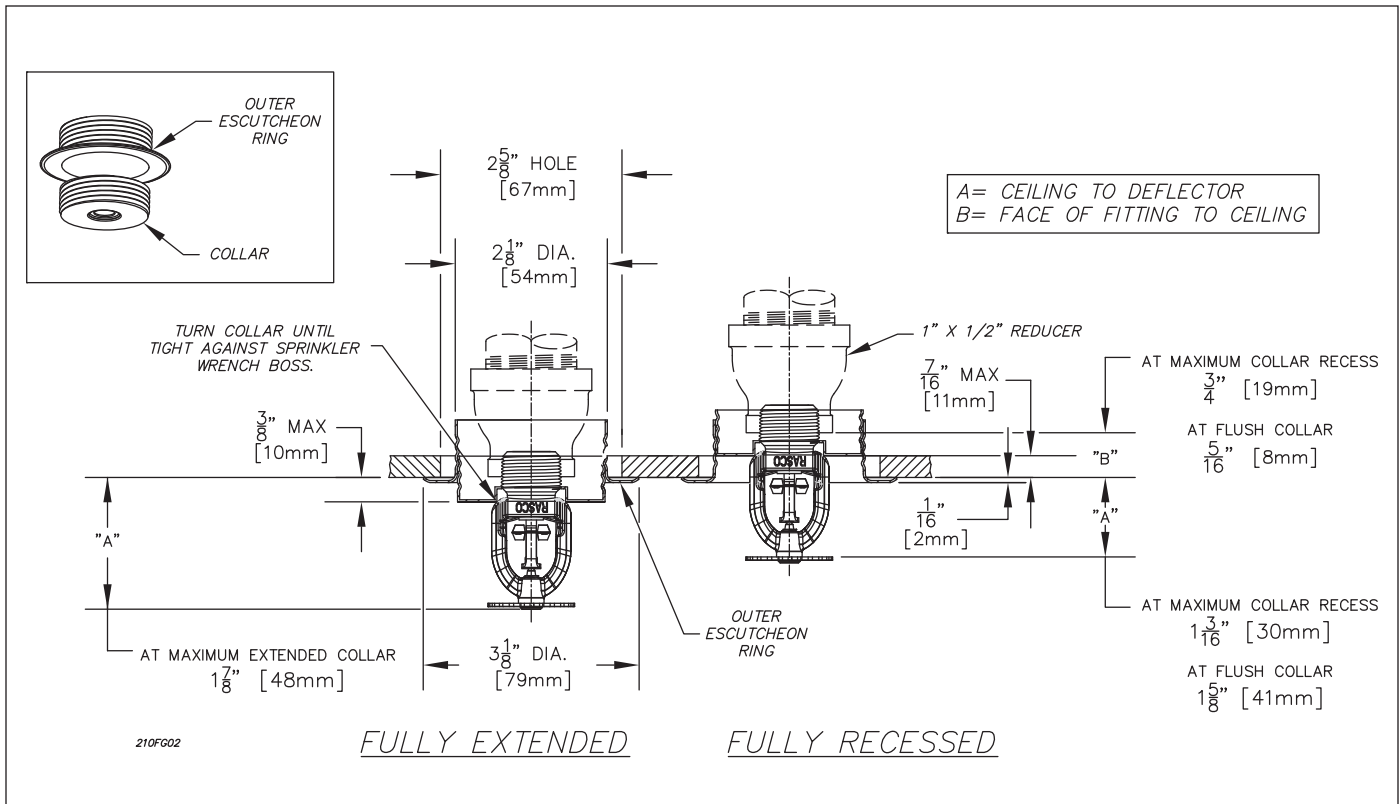


Figure 2

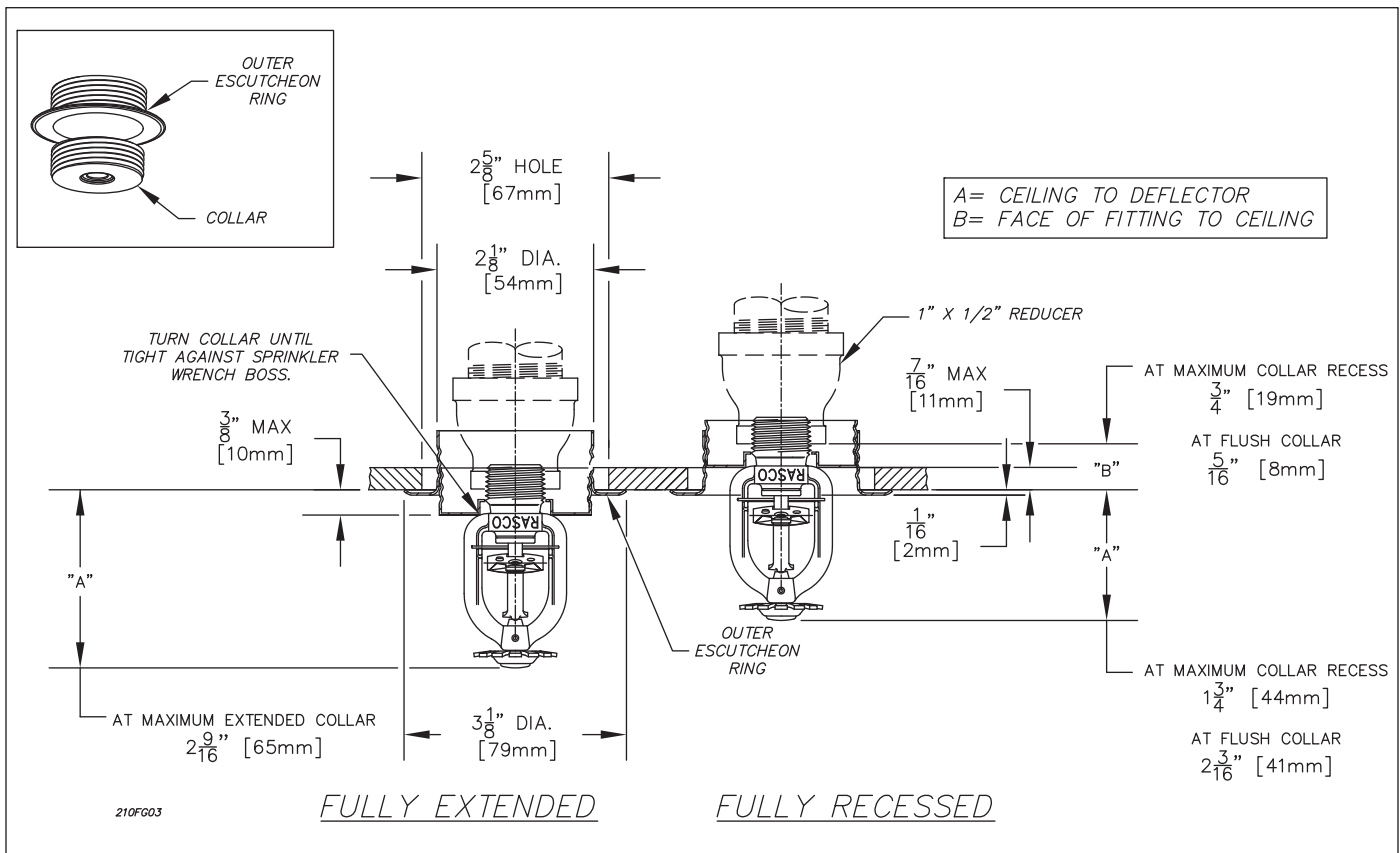


Figure 3

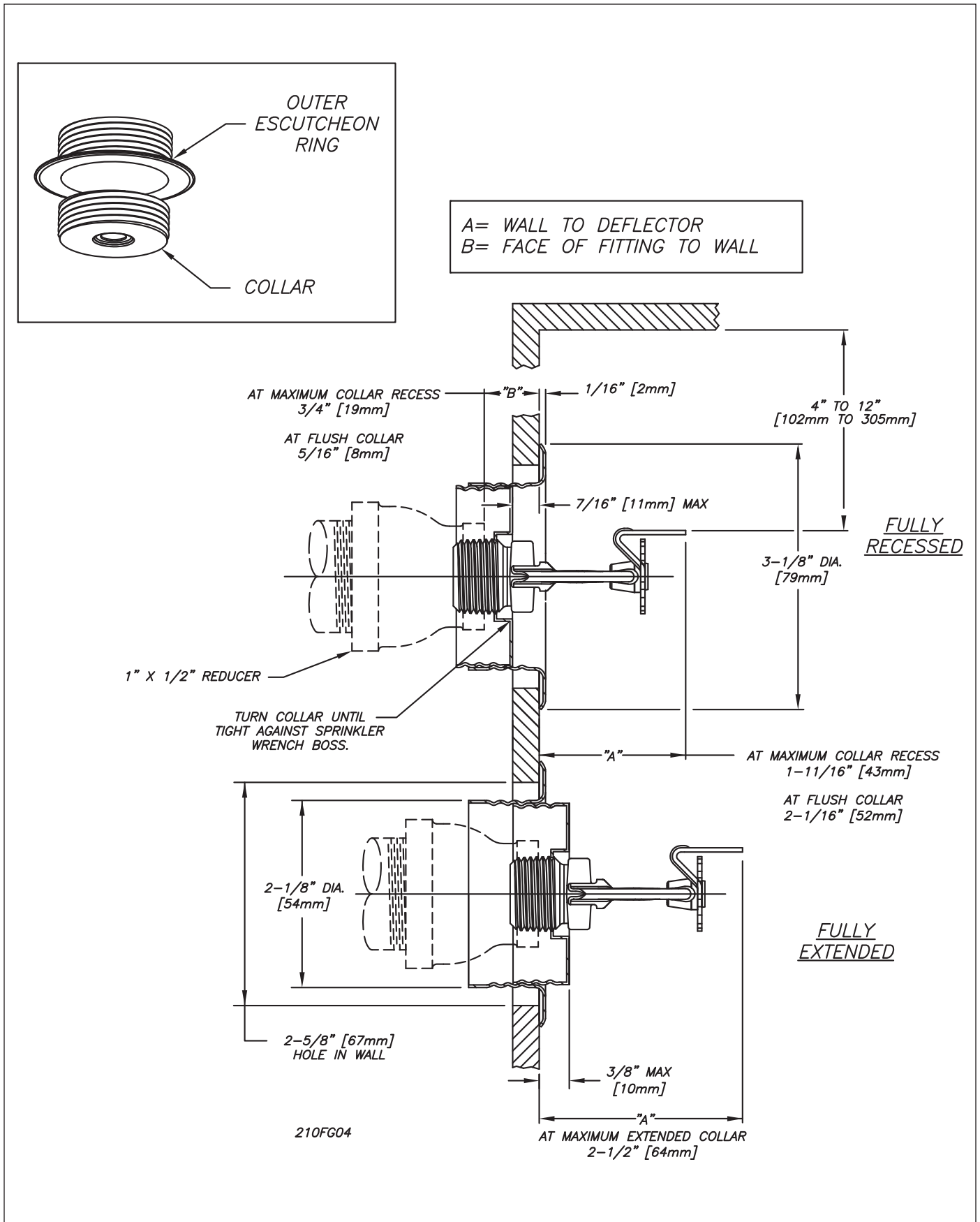


Figure 4.

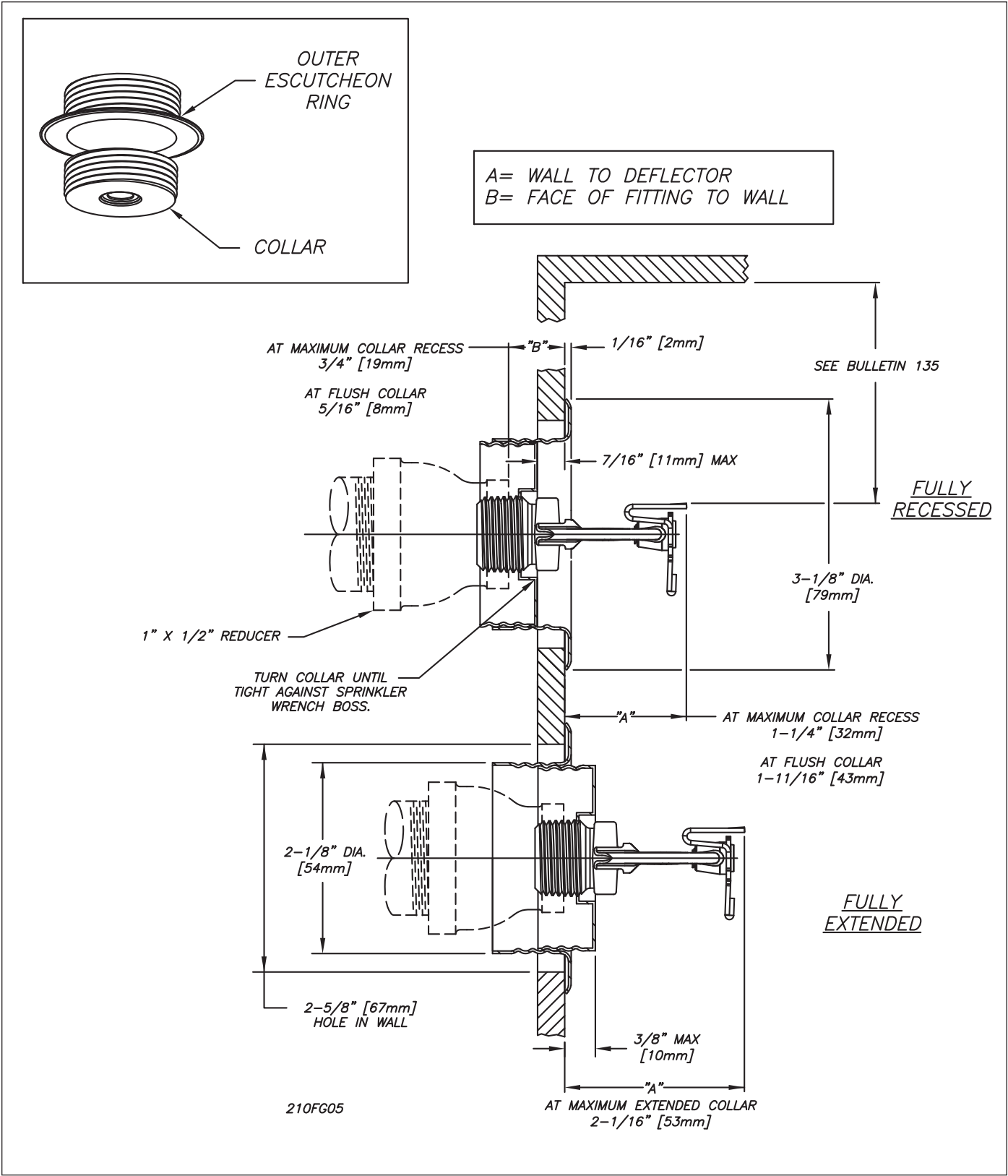


Figure 5

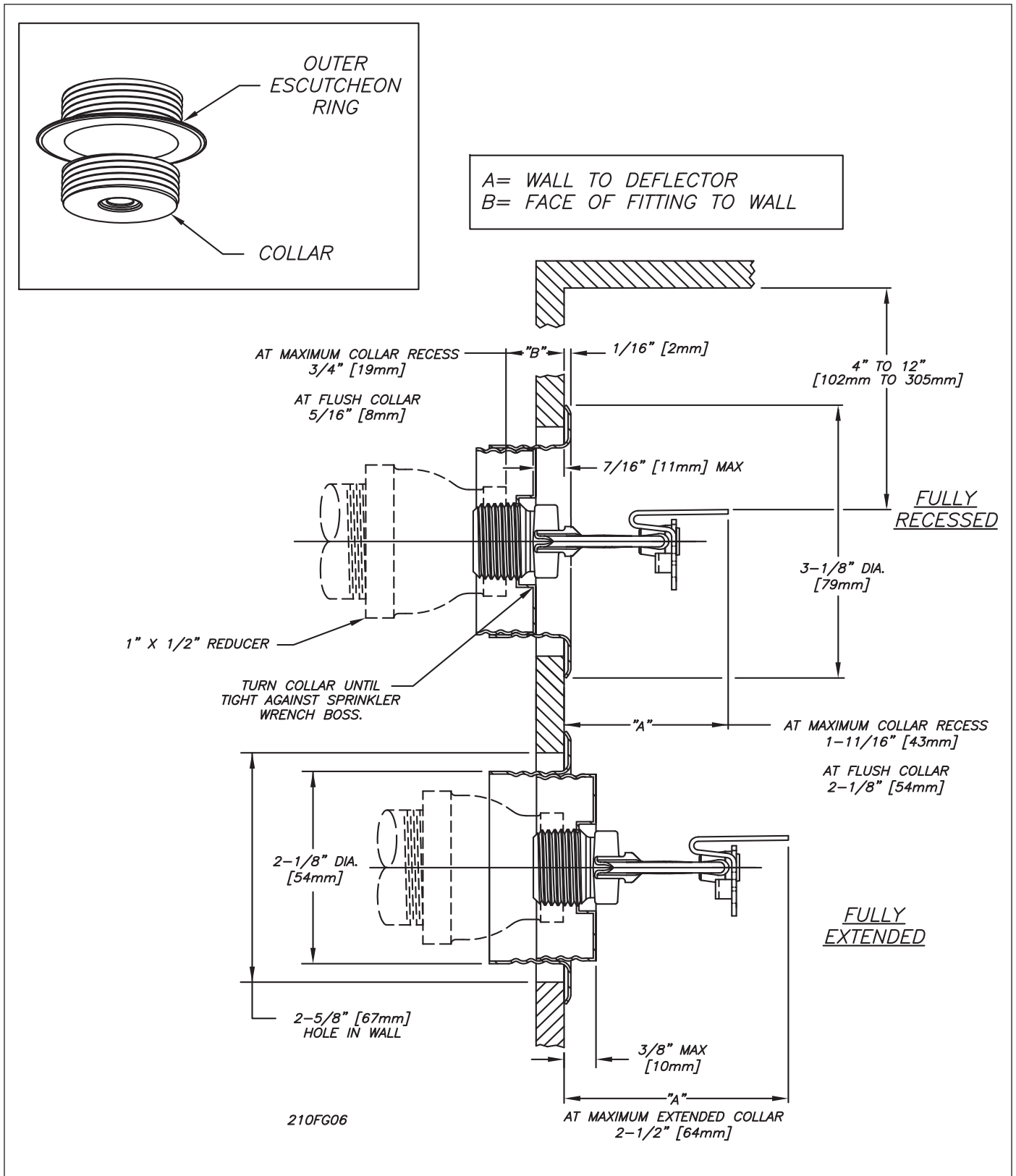


Figure 6

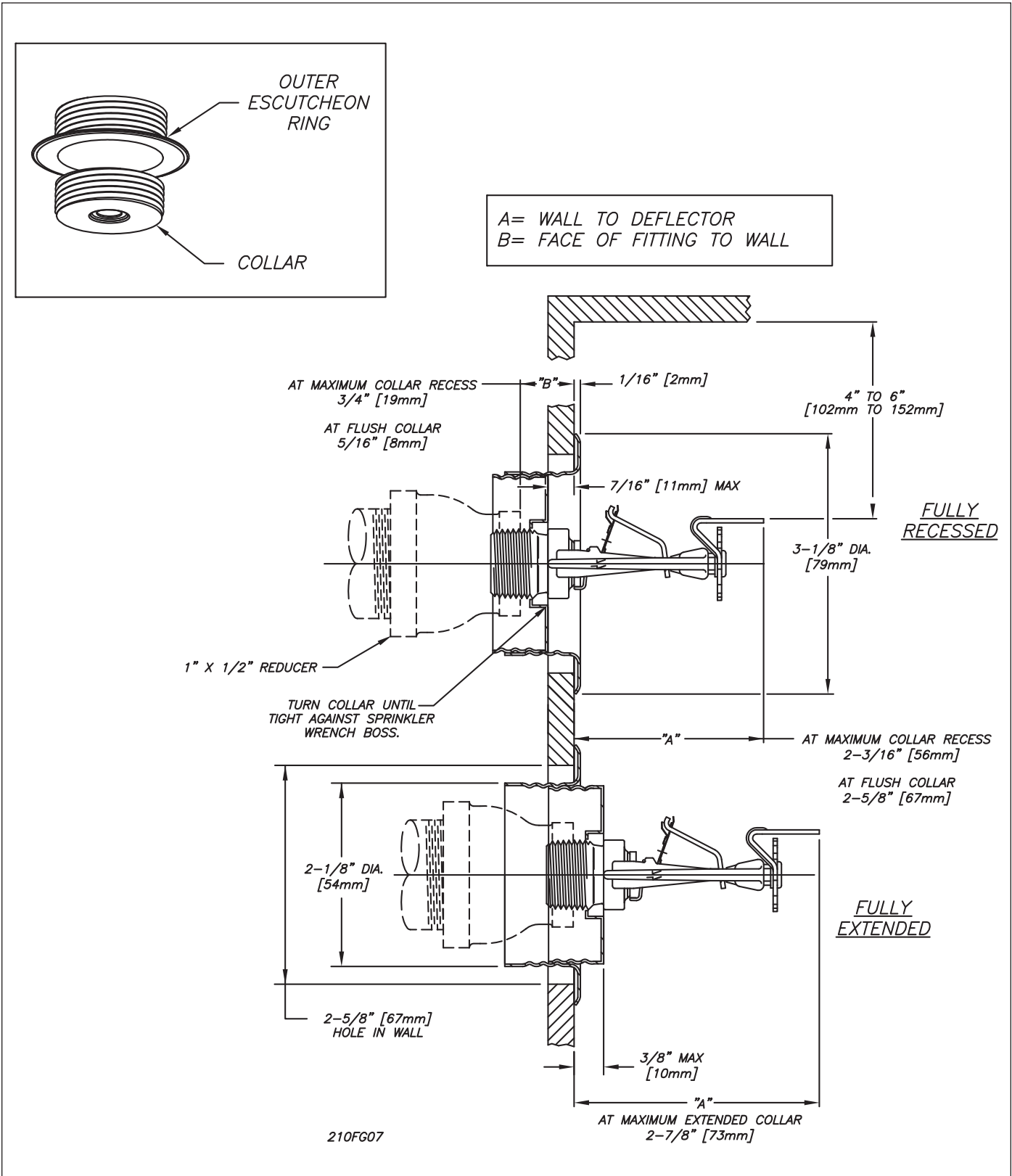


Figure 7

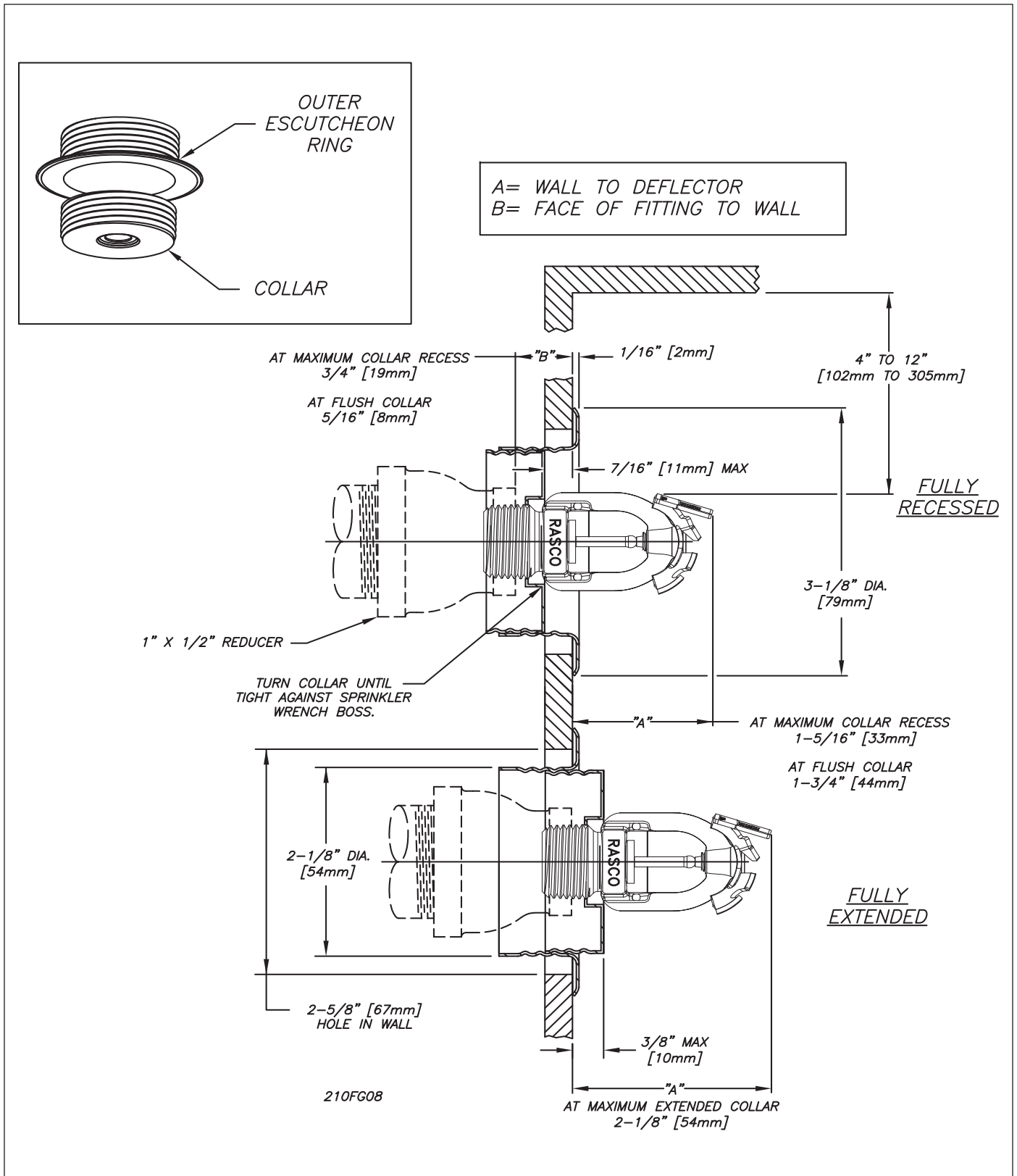


Figure 8

Installation Tips

To insure proper sprinkler and FT escutcheon installation, thread the collar onto the sprinkler as high as it can go. It should touch the bottom of the sprinkler's wrench flats. Start the sprinkler into its mating pipe fitting by hand, holding only the frame arms as shown in Fig. 1. Do not use the deflector or operating element to turn the sprinkler. Carefully slide the Model GFR1 Wrench through the mounting surface hole until it touches the top of the threaded collar and engages the sprinkler into its fitting (see Fig 2). Apply and sufficient amount of torque to tighten the sprinkler but be careful as to not over-tighten

it (see Fig. 3). Be sure to align the sprinklers frame arms to the desired orientation if required. Retract the wrench from the mounting surface hole without striking the fusible or frangible element and slide the wrench laterally, clearing the sprinkler as shown in Fig. 4. Thread the outer escutcheon ring over the threaded collar until it is flush to the wall or ceiling, as shown in Fig. 5.

Inspect the sprinkler and escutcheon for proper fit and alignment. Examine the thermal element for sign of damage or distortion. Replace all sprinklers that show any signs of damage or distortion.

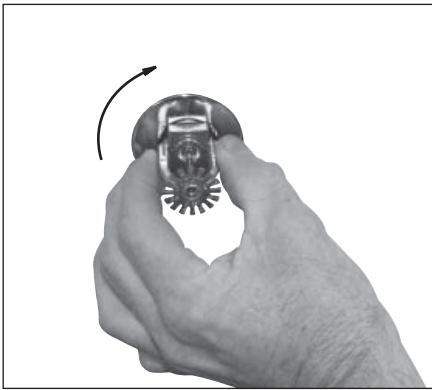


Fig. 1

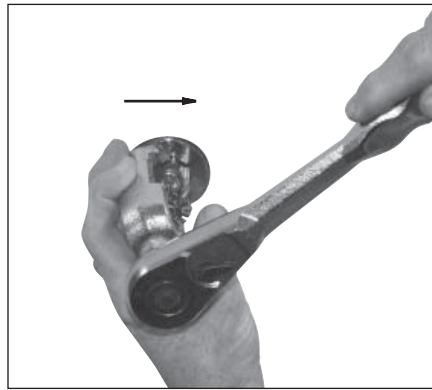


Fig. 2

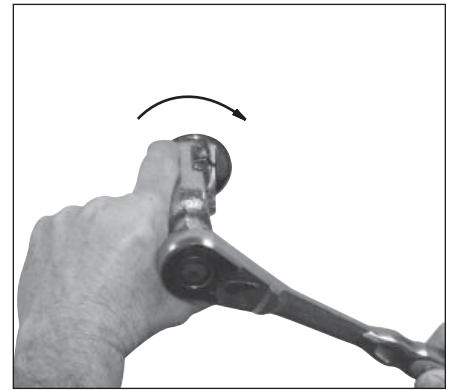


Fig. 3

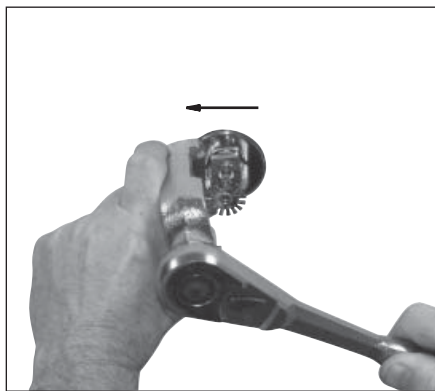


Fig. 4



Fig. 5

Sprinklers contained in this carton have been manufactured and tested in accordance with the standards of Factory Mutual, Underwriters Laboratories, Loss Prevention Council, Pleniére Assemblée, Verband der Sachversicherer or other approving authorities. Specific information on approvals is provided in respective product bulletins. Any alteration to the sprinkler after it leaves the factory including, but not limited to, painting, plating, coating or other modification, may render the sprinkler inoperative and will nullify applicable approvals.



The Reliable Automatic Sprinkler Co., Inc.

(800) 431-1588

(800) 848-6051

(914) 829-2042

www.reliablesprinkler.com

Sales Offices

Sales Fax

Corporate Offices

Internet Address

Revision lines indicate updated or new data.

EG Printed in U.S.A. 08/14

P/N 9999970452