

Reliable®

Model G6-56 Concealed Quick Response Sidewall Standard Spray Sprinkler (SIN RA5035)

The Sidewall Concealer™
Nominal 5.6 (80 metric) K-Factor
Designed for Light and Ordinary
Hazard occupancies.

Features:

1. Flat cover plate (Solid or Perforated).
2. Sprinkler is approved for 175 psi (12,0 bar) applications.
3. Quick response, sidewall standard spray sprinkler.
4. Push-on/pull-off, sturdy convenient flat cover plate.
5. Sprinkler, shipped complete with factory installed protective cap.
6. Sprinkler assembly and cover plate packaged separately.
7. Nominal 5.6 (80 metric) K-Factor.
8. ¼" (6 mm) cover plate adjustment.
9. Cover plate available, either solid or perforated, in a wide variety of colors and finishes.

Approval Organizations

1. Listed by Underwriters Laboratories Inc. and UL certified for Canada (cULus).

UL Listing Category

Sprinklers, Automatic and Open
Quick Response
Sidewall Standard Spray Sprinklers

Patents:

U.S. Patent No. 7,353,882, other Patents pending

Product Description

The Reliable Model G6-56 Concealed Quick Response Sidewall Standard Spray Sprinkler is an attractive, concealed sprinkler assembly that utilizes a push-on/pull-off cover plate assembly. The sprinkler assembly is shipped with a protective cap.

The flat cover plate is attached to the skirt using 135°F (57°C) ordinary temperature classification solder. The sprinkler is easily installed into the sprinkler fitting using the Model G6 Sprinkler Wrench.

When the ambient temperature rises, the solder holding the cover plate melts, allowing the release of this part and thus exposing the sprinkler inside to the rising ambient temperature.

The Model G6-56 utilizes a Quick Response soldered link. This quick response enables the sprinkler to apply water to a fire sooner than standard response sprinklers of the same



temperature rating.

This sprinkler is listed for a maximum service pressure of 175 psi (12,0 bar).

Application and Installation

The Model G6-56 sprinkler is intended for installation in accordance with NFPA 13. This sprinkler is especially well-suited for use in student dormitories, hotels, hospitals and health care facilities.

Model G6-56 Concealed Horizontal Sidewall sprinklers utilize a sprinkler assembly with spring loaded deployable deflector feature. The assembly is completed by the installation of the attractive, 135°F (57°C) push-on/pull-off cover plate assembly, which provides ¼" (6 mm) of adjustment.

Apply a Teflon* - based thread sealant to the sprinkler threads. After a 2 5/8" (66.7mm) diameter hole is cut in the wall, the sprinkler is easily installed and properly oriented with the Model G6 Wrench, as follows:

Do not remove the factory installed plastic protective cap since it is sized to fit inside the G6 wrench. Note that the sprinkler can only mate when the sprinkler's deflector orientation tab (Fig. 1) is aligned with wrench's key-way. The G6 wrench is provided with bubble level pad and TOP marking, to allow the proper orientation of the horizontal sidewall deflector. Final leveling can be done after leak proof joint is obtained with a minimum to maximum torque of 8 to 18 ft-lbs (11 to 24 N.m). Leave the protective cap on to protect the sprinkler while the wall is plastered, wallpapered or painted.

The protective cap must be removed and the listed cover plate installed prior to the sprinkler system being placed in service.

Concealed cover plate/cup assemblies are listed only for use with specific sprinklers. The use of any other concealed cover plate/cup assembly with the Model G6-56 Horizontal Sidewall Sprinkler or the use of this dedicated concealed cover plate assembly on any sprinkler with which it is not specifically listed will void all guarantees, warranties, listings and approvals.

* DuPont Registered Trademark

Technical Data:

| Nominal Orifice Size | "K" Factor | | Thread Size | Maximum Water Service Pressure |
|----------------------|------------|--------|-----------------|--------------------------------|
| | US | Metric | | |
| 1/2 inch (15mm) | 5.6 | 80 | 1/2" NPT (R1/2) | 175 PSI (12 bar) |

| Sprinkler Identification Number (SIN) | Max. Ambient Temperature | Sprinkler Temperature Rating | Cover Plate Temperature Rating | Approval |
|---------------------------------------|--------------------------|------------------------------|--------------------------------|----------|
| RA5035 | 100°F (38°C) | 165°F (74°C) | 135°F (57°C) | cULus |

Material Data

| | |
|--|---|
| Bronze | Sprinkler Body, Spring Closure Cap, Yoke, Lever, Slide Pin, Slide Plate, Deflector, Set Screw |
| Brass | Cover Plate, Sprinkler Sleeve, Frame Arms |
| Stainless Steel | Push Spring, Ball, Load Screw, Rivet |
| Copper Plated Steel | Cover Plate Skirt |
| Nickel Alloy | Fusible Element |
| Nickel Alloy coated with PTFE Adhesive Tape | Sealing Washer |

Approval Type

Quick Response Standard Sidewall Spray Sprinkler.

Install below smooth, flat, horizontal ceilings only AS DEFINED BY THE NFPA 13 STANDARD.

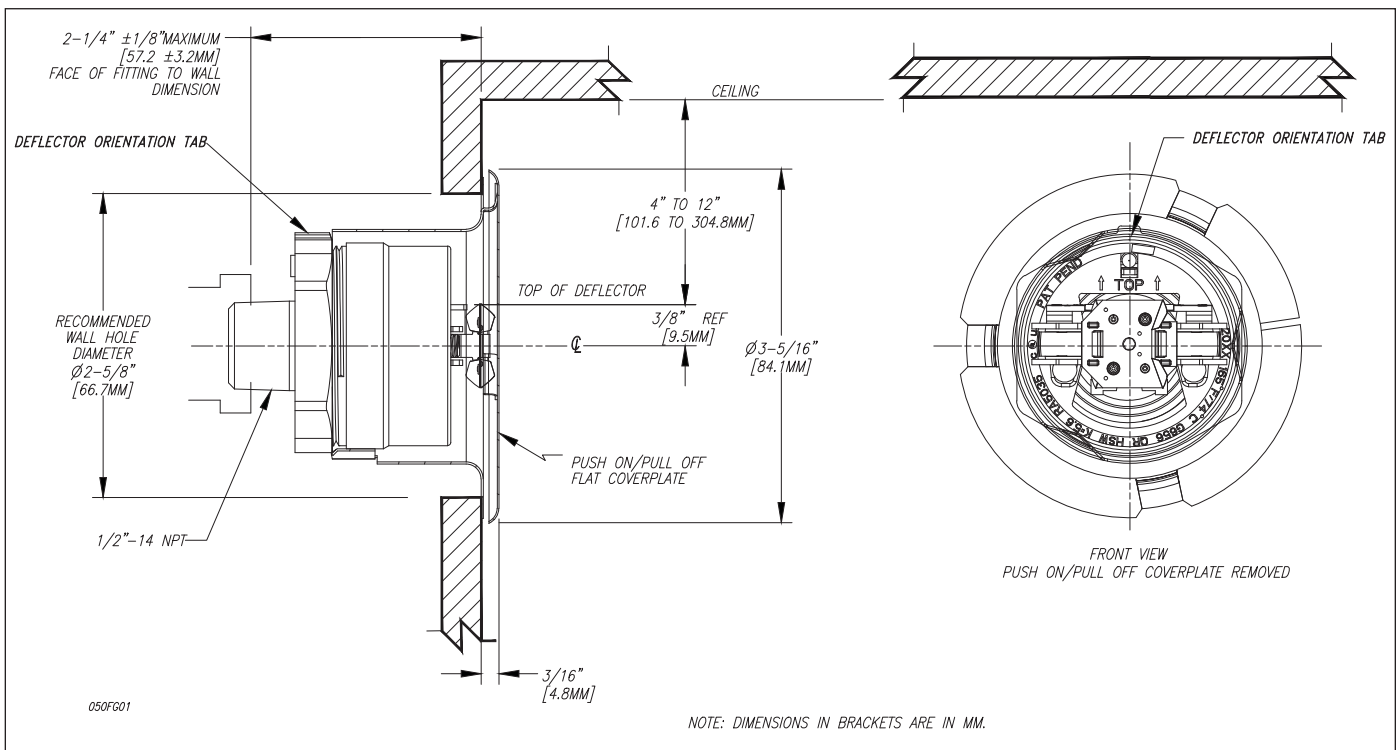


Figure 1

Maintenance

Model G6-56 Concealed Sprinklers should be inspected and maintained in accordance with NFPA 25. Do not clean sprinklers with soap and water, ammonia or any other cleaning fluids. Remove dust by using a soft brush or gentle vacuuming. Replace any sprinkler or cover plate assembly, which has been painted (other than factory applied) or damaged in any way. A stock of spare sprinklers should be maintained to allow quick replacement of damaged or operated sprinklers. Prior to installation, sprinklers should be maintained in their original cartons and packaging until used to minimize the potential for damage to sprinklers that would cause improper operation or non-operation.

Model G6-56 Concealed Quick Response Sidewall Standard Spray Sprinkler

Sprinklers shall be a cULus Listed quick-response standard spray sidewall sprinkler with G6-56 deflector and adjustable cover plate for interior, non-corrosive applications. Sprinklers to be of bronze frame construction with brass cover plate and copper alloy retainer flange assembly. Water seal assembly shall consist of a Teflon* coated Belleville spring washer and machined brass cup containing no plastic parts. Method of attaching the cover plate to the sprinkler cup shall be a push-on and pull-off design allowing a 1/4" cover plate adjustment. Sprinklers shall have a nominal K-factor of 5.6 (80 metric), and 1/2" NPT thread. Sprinkler temperature rating shall be 165°F (74°C) with a cover plate temperature rating of 135°F (57°C). Rated working pressure shall be 175 psi (12,0 bar). A plastic protective cap shall be provided and factory installed inside the sprinkler cup to protect the sprinkler from damage, which could occur during construction before the cover plate is installed. Standard cover plate finish: [White] [Chrome] [Custom Finish – specify]. Concealed quick response sidewall standard spray sprinklers shall be Reliable Model G6-56. SIN RA5035 (Bulletin 050).

Ordering Information

Specify:

1. Model G6-56 Sidewall Concealer™
2. Cover Plate Type: Solid or Perforated
3. Cover Plate Finish

Installation Wrench

Model G6 Sprinkler Wrench

Installation Aid

A protective plastic cap is included for use during installation.

Cover Plate Finishes⁽¹⁾

| Standard Finishes |
|------------------------------|
| White Paint |
| Chrome |
| Special Application Finishes |
| Bronze |
| Black Paint |
| Flat White Paint |

⁽¹⁾ Other colors and finishes are available. Consult factory for details.

Note: Paint or any other coatings applied over the factory finish will void all approvals and warranties.

*DuPont Registered Trademark

Reliable...For Complete Protection

Reliable offers a wide selection of sprinkler components. Following are some of the many precision-made Reliable products that guard life and property from fire around the clock.

- Automatic sprinklers
- Flush automatic sprinklers
- Recessed automatic sprinklers
- Concealed automatic sprinklers
- Adjustable automatic sprinklers
- Dry automatic sprinklers
- Intermediate level sprinklers
- Open sprinklers
- Spray nozzles
- Alarm valves
- Retarding chambers
- Dry pipe valves
- Accelerators for dry pipe valves
- Mechanical sprinkler alarms
- Electrical sprinkler alarm switches
- Water flow detectors
- Deluge valves
- Detector check valves
- Check valves
- Electrical system
- Sprinkler emergency cabinets
- Sprinkler wrenches
- Sprinkler escutcheons and guards
- Inspectors test connections
- Sight drains
- Ball drips and drum drips
- Control valve seals
- Air maintenance devices
- Air compressors
- Pressure gauges
- Identification signs
- Fire department connection

The equipment presented in this bulletin is to be installed in accordance with the latest published Standards of the National Fire Protection Association, Factory Mutual Research Corporation, or other similar organizations and also with the provisions of governmental codes or ordinances whenever applicable. Products manufactured and distributed by Reliable have been protecting life and property for over 90 years, and are installed and serviced by the most highly qualified and reputable sprinkler contractors located throughout the United States, Canada and foreign countries.

Manufactured by

Reliable[®]

Reliable Automatic Sprinkler Co., Inc.

(800) 431-1588

(800) 848-6051

(914) 829-2042

www.reliablesprinkler.com

Sales Offices

Sales Fax

Corporate Offices

Internet Address



Recycled
Paper

Revision lines indicate updated or new data.

EG. Printed in U.S.A. 03/15 P/N 9999970467