

# Reliable®

## Model G5-56 300 Standard Response “Sealing” Concealed Automatic Sprinklers

Bulletin 045 Rev. A

### A Standard Response “Sealing” Concealed Sprinkler with a ¾” (19mm) Adjustment and a Dust Tight Seal

#### Features

1. Cover plate with gasket Seal for standard response—may be assembled to a G5-56 300 sprinkler for dust free environments.
2. A total adjustment of ¾” (19mm) provided by standard inlet version.
3. White “Sealing” Concealer Gasket is Listed with G4 Cover Plate available in white paint or chrome. Other cover plate finishes and colors are available. Consult with factory.
4. Ordinary temperature rating.
5. The cover plate does not require clips or springs.

#### Approvals & Listings

Underwriters Laboratories, Inc. and Certified for Canada (cULus)

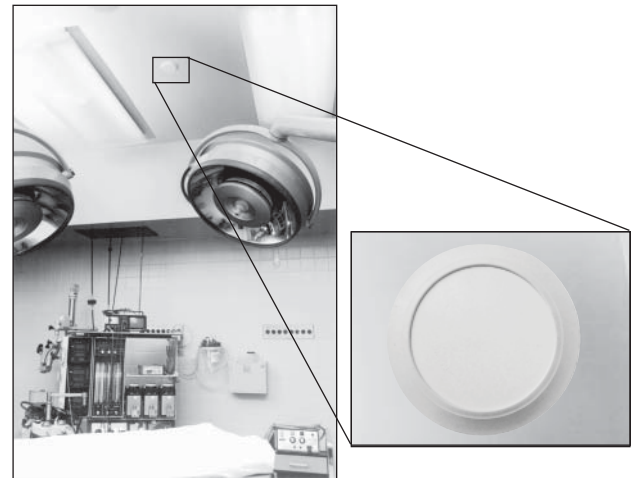
**Note:** Approvals are for light and ordinary hazard occupancies. The cup and skirt are fabricated from plated steel and are intended for interior non-corrosive applications.

#### US. Patent No. 6,554,077

#### Applications



The Model G5-56 300 with seal provide fire protection for dust free environments while offering an attractive appearance and ¾” (19mm) adjustment for easy installation. The small diameter gasketed cover plate assembly is easily and positively attached and blends into the ceiling, concealing the most dependable fire protection available, an automatic sprinkler system.



The Model G5-56 300 with a gasketed cover plate assembly are designed solely for use in dust free environments such as a clean room. The Model G5-56 300 “Sealing” concealed sprinklers can eliminate the need for precise cutting of drop nipples. The gasketed cover plate assembly can be adjusted without tools to fit accurately on the ceiling. The fire protection system need not be shut down to adjust or remove the gasketed cover plate assembly.

#### Product Description

Model G5-56 300 “Sealing” Concealed use proven solder link fusible elements in a standard style sprinkler frame with a drop-down deflector. This assembly is recessed into the ceiling and concealed by a flat gasketed cover plate. This threaded engagement provides ¾” (19mm) of cover adjustment to the threaded cup. The flat cover plate is attached to the skirt using the same ordinary temperature classification solder that is used in sprinklers. This results in ordinary temperature rated cover plates concealing ordinary temperature sprinklers which can be installed in 150°F environments. When the ceiling temperature rises, the solder holding the flat cover plate fuses and the cover plate is released, exposing the sprinkler inside the cup to the rising ambient temperature.

The subsequent fusing of the solder element in the sprinkler opens the waterway and causes the deflector to drop into position to distribute the discharging water. Any secure engagement between the gasket cover plate and cup will assure that the drop-down deflector is properly located below the ceiling. **Cover plate & gasket are only sold as an assembly. The gasket cannot be purchased as an individual part.**

## Installation

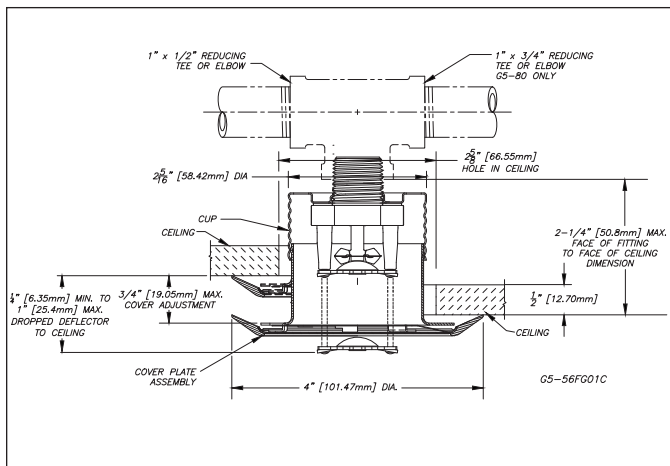
Do not install The G5-56 300 "Sealing" Concealed Sprinklers in ceilings which have positive pressure in the space above.

- Cut a  $2\frac{5}{8}$ " (67mm) diameter hole in the ceiling, and install the non-adjustable inlet sprinkler with the Model FC Wrench. The wrench has a socket drive which is inserted into the body of the sprinkler. When installing a sprinkler, the wrench is first positioned into the sprinkler/cup assembly until the wrench socket engages the body of the sprinkler. The sprinkler is then tightened into the pipe fitting. When inserting or removing the wrench from the sprinkler/cup assembly, care should be taken to prevent damage to the sprinkler. **DO NOT WRENCH ON ANY OTHER PART OF THE SPRINKLER/CUP ASSEMBLY.** Wherever seal is needed, attach the "Sealing" Concealed gasket over the Cover plate.
- If required to reassemble the gasket to the cover plate, do not glue the gasket into place or allow the gasket to overlap both the cover plate and flange of the skirt.
- The gasket and cover plate of the "Sealing" sprinklers are not to be interchanged with other models of concealed sprinklers.
- Paint or any other coating over the factory finish on cover plates will void all approvals and warranties.

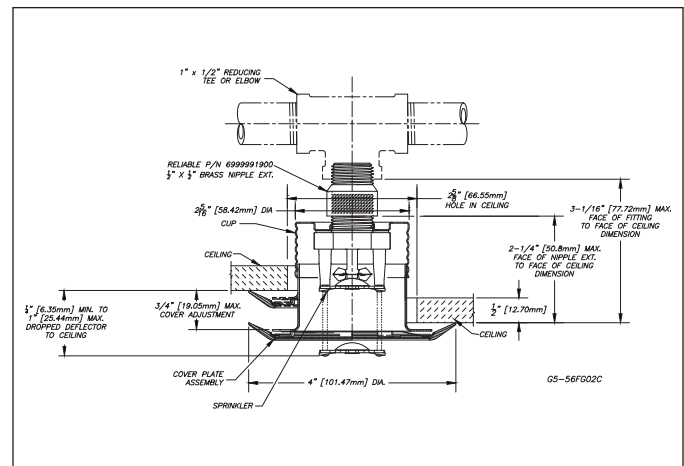
**CAUTION: Cover plate with gasket are not interchangeable between Quick Response and Standard Response Models.**

## Technical Installation Data

Sprinkler Model	Sprinkler Inlet	Total Adjustment	Nominal Orifice	Nominal K Factor		Thread	Sprinkler Identification Number (SIN)
				US	Metric		
G5-56 300	Non-Adjustment	3/4" (19mm)	1/2" (15mm)	5.6	80	1/2" NPT (R1/2)	RA4014



Cover Plate: 3/4" [19.05mm] Adjustment  
Figure 1



Cover Plate: 3/4" (19.05mm) Adjustment  
Figure 2

## Notice

FOR USE AS A REPLACEMENT OF MODEL G4A SPRINKLERS (See Figure 2)

### NOTE:

1. Testing has shown that use of a "nipple extension" will not affect the listing of the sprinkler.
2. For RETROFIT installations, per **NFPA 13 (2010) section 8.15.19.4**, "which allows the use of nipples as the same pipe thread size as the existing outlet when revamping existing systems".
3. Do not exceed 8-18 ft-lbs (10.8 - 29.4 N·m) of torque during install.

The equipment presented in this bulletin is to be installed in accordance with the latest published Standards of the National Fire Protection Association, Factory Mutual Research Corporation, or other similar organizations and also with the provisions of governmental codes or ordinances whenever applicable. Products manufactured and distributed by Reliable have been protecting life and property for over 90 years, and are installed and serviced by the most highly qualified and reputable sprinkler contractors located throughout the United States, Canada and foreign countries.

Manufactured by



**Reliable Automatic Sprinkler Co., Inc.**

(800) 431-1588 Sales Offices  
 (800) 848-6051 Sales Fax  
 (914) 829-2042 Corporate Offices  
 www.reliablesprinkler.com Internet Address



Revision lines indicate updated or new data.

EG. Printed in U.S.A. 10/15 P/N 9999970450

## Standard Temperatures

Classification	Sprinkler	Cover Plate	Max. Ambient Temp.
Ordinary	165°F/74°C	135°F/57°C	100°F/38°C

## Maximum Working Pressure

300 psi (20.7 bar)

100% Factory tested Hydrostatically to 600 psi (41.4 bar)

## Ordering Information

1. Sprinkler Model
2. Temperature Rating
3. Nominal Orifice
4. Inlet Type
5. Cover Plate Assembly Finish
6. Gasket

## Cover Plate Finishes<sup>(1)</sup>

Standard Finishes
Chrome
White Paint

<sup>(1)</sup> Other Finishes and colors are available on special orders. Consult factory for detail.

## Gasket Color

- White only

