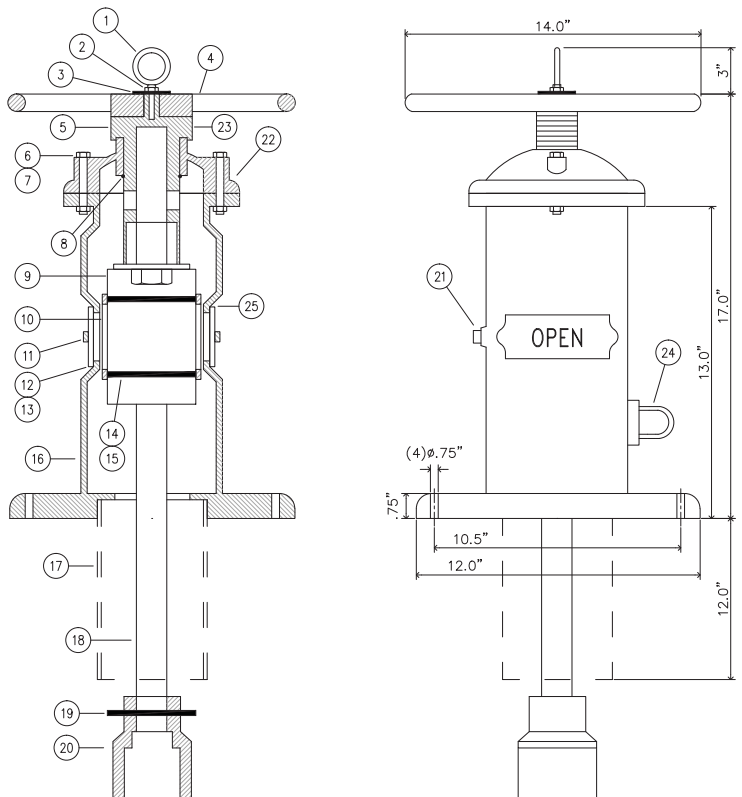


Wall Indicator Post



Materials List

No	Name	Qty	Material
1	Lifting eye bolt	1	ASTM A105 - Carbon Steel
2	Hex nut	1	ASTM A105 - Carbon Steel
3	Washer	1	ASTM A105 - Carbon Steel
4	Handwheel	1	ASTM A536 - Ductile Iron
5	Operating nut	1	ASTM B62 - Bronze
6	Hex cap screw	2	ASTM A105 - Carbon Steel
7	Hex nut	2	ASTM A105 - Carbon Steel
8	Snap ring	1	AISI 066 - Stainless Steel
9	Target carrier nut	1	ASTM B62 - Bronze
10	Target	4	ASTM B108 - Aluminum
11	Hex cap screw	4	ASTM A105 - Carbon Steel
12	Window glass	2	LEXAN-UN
13	Window glass gasket	2	PTFE
14	Hex cap screw	4	ASTM A105 - Carbon Steel
15	Hex nut	4	ASTM A105 - Carbon Steel
16	Body	1	ASTM A536 - Ductile Iron
17	Stand pipe	1	ASTM A53 - Carbon Steel
18	Stem	1	AISI 1045 - Carbon Steel
19	Cotter pin	1	AISI 304 - Stainless Steel
20	Crane coupling	1	ASTM A126B - Cast Iron
21	Plug	1	AISI 304 - Stainless Steel
22	Cover	1	ASTM A126B - Cast Iron
23	Cross recessed countersunk head screw	1	AISI 304 - Stainless Steel
24	Locking nose	1	ASTM 307 B - Carbon Steel
25	Window cover	2	ASTM A307B - Carbon Steel



Part Number

Description	Part Number
Wall Post Indicator (RASCO)	7M99003233

Field Adjustment:

1. Remove the top section from the top of the Indicator post assembly.
2. Set the "OPEN" and "SHUT" targets for the appropriate valve size.
3. Reattach the top section to the top of the indicator post assembly.
4. Design and dimensions are subject to change without notice.