

Non-Rising Stem Gate Valve



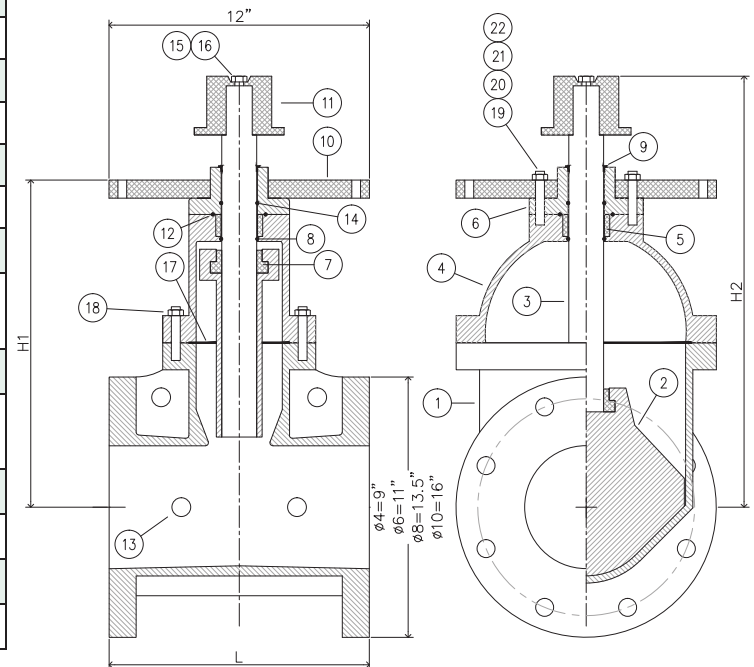
Materials List

No	Name	Qty	Material
1	Body	1	ASTM A536 65-45-12 - Ductile Iron
2	Gate	1	ASTM A536 65-45-12 + EPDM - Ductile Iron
3	Stem	1	AISI SS304/SS302 - Stainless Steel
4	Bonnet	1	ASTM A536 65-45-12 - Ductile Iron
5	Thrust collar	1	ASTM C51100 - Bronze
6	Gland	1	ASTM A536 65-45-12 - Ductile Iron
7	Gate nut	1	ASTM B62 - Bronze
8	O Ring	1	EPDM
9	Dustproof cover	1	EPDM
10	Post flange	1	ASTM A536 65-45-12 - Ductile Iron
11	Wrench nut	1	ASTM A536 65-45-12 - Ductile Iron
12	O Ring	1	EPDM
13	Plug	2	ASTM B16 - Bronze
14	O Ring	3	EPDM
15	Washer	1	ASTM SS316 - Stainless Steel
16	Hex socket cap screw	1	ASTM SS316 - Stainless Steel
17	Gasket	1	EPDM
18	Hex socket cap screw	8	GR 8.8 - Carbon Steel
19	Nut	2	ASTM SS316 - Stainless Steel
20	Studs	2	ASTM SS316 - Stainless Steel
21	Spring washer	2	ASTM SS316 - Stainless Steel
22	Washer	2	ASTM SS316 - Stainless Steel

Pressure & Temperature

Max. Working Pressure: 300 psi (21 bar)
 Working Temperature: 14°F to 248°F (-10°C to 120°C)
 Flanged Ends: ANSI B16.1 Class 125/150/250
 EN1092-2 PN10/PN16 BS10

Conforms to AWWA C515
 Fusion Bonded Epoxy Coated Interior & Exterior RAL3002
 All valves supplied with 2" (50mm) operating nut.
 Design and materials are subject to change without notice.



Dimensions: Inch

Size	L	H1	H2	W
4" (100mm)	9.02"	9.88"	14"	85.98 lbs
6" (150mm)	10.51"	13.84"	18"	123.46 lbs
8" (200mm)	11.50"	17.13"	22"	198.42 lbs
10" (250mm)	12.99"	21.06"	25"	286.60 lbs

Ordering Information

Description	Size	Part Number
Non-Rising Stem Gate Valve FL/FL	4" (100mm)	7M99003228
Non-Rising Stem Gate Valve FL/FL	6" (150mm)	7M99003229
Non-Rising Stem Gate Valve FL/FL	8" (200mm)	7M99003230
Non-Rising Stem Gate Valve FL/FL	10" (250mm)	7M99003231