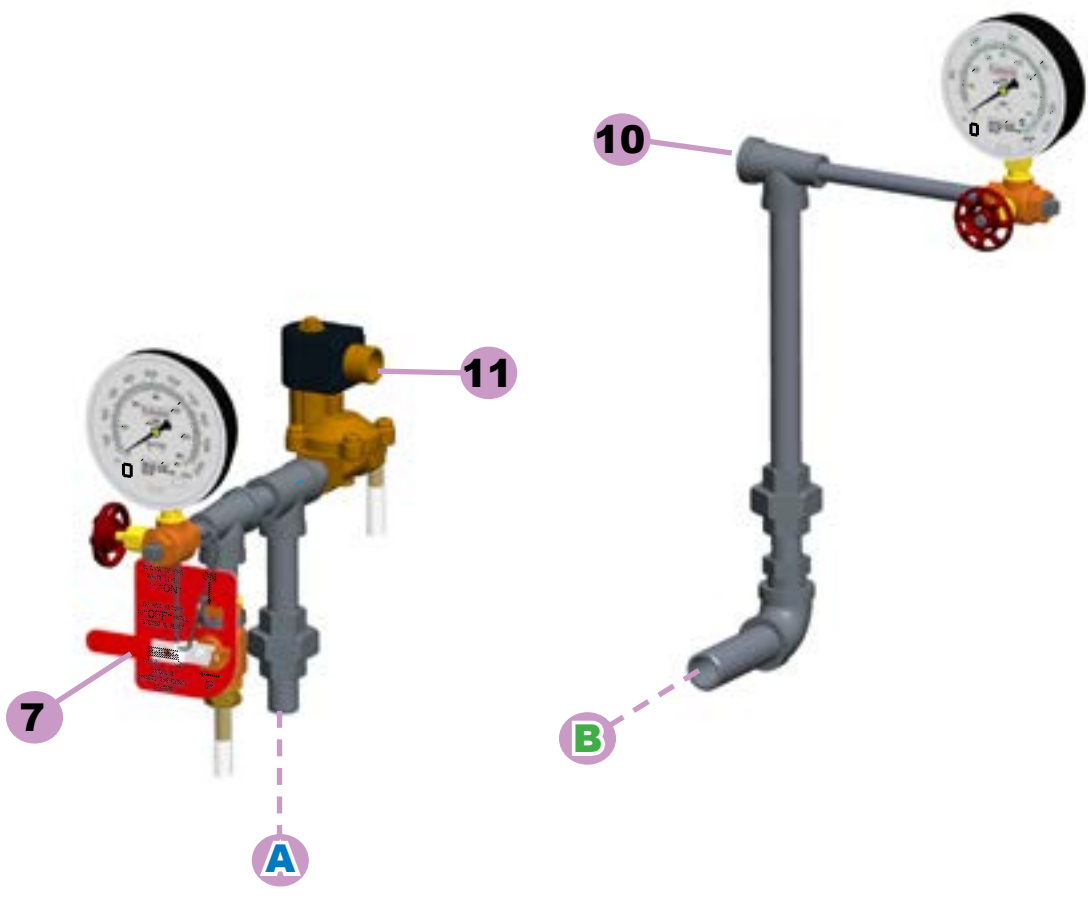


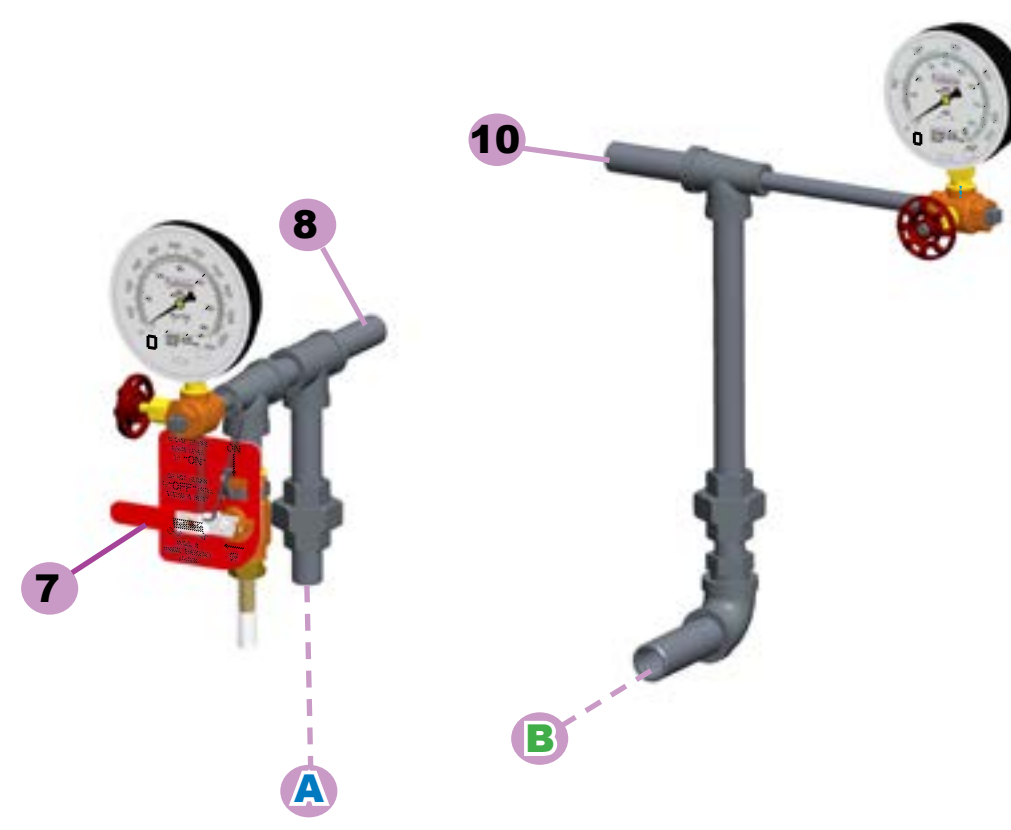
# DDX Valve Special Systems

## One Great Valve - 9 Systems

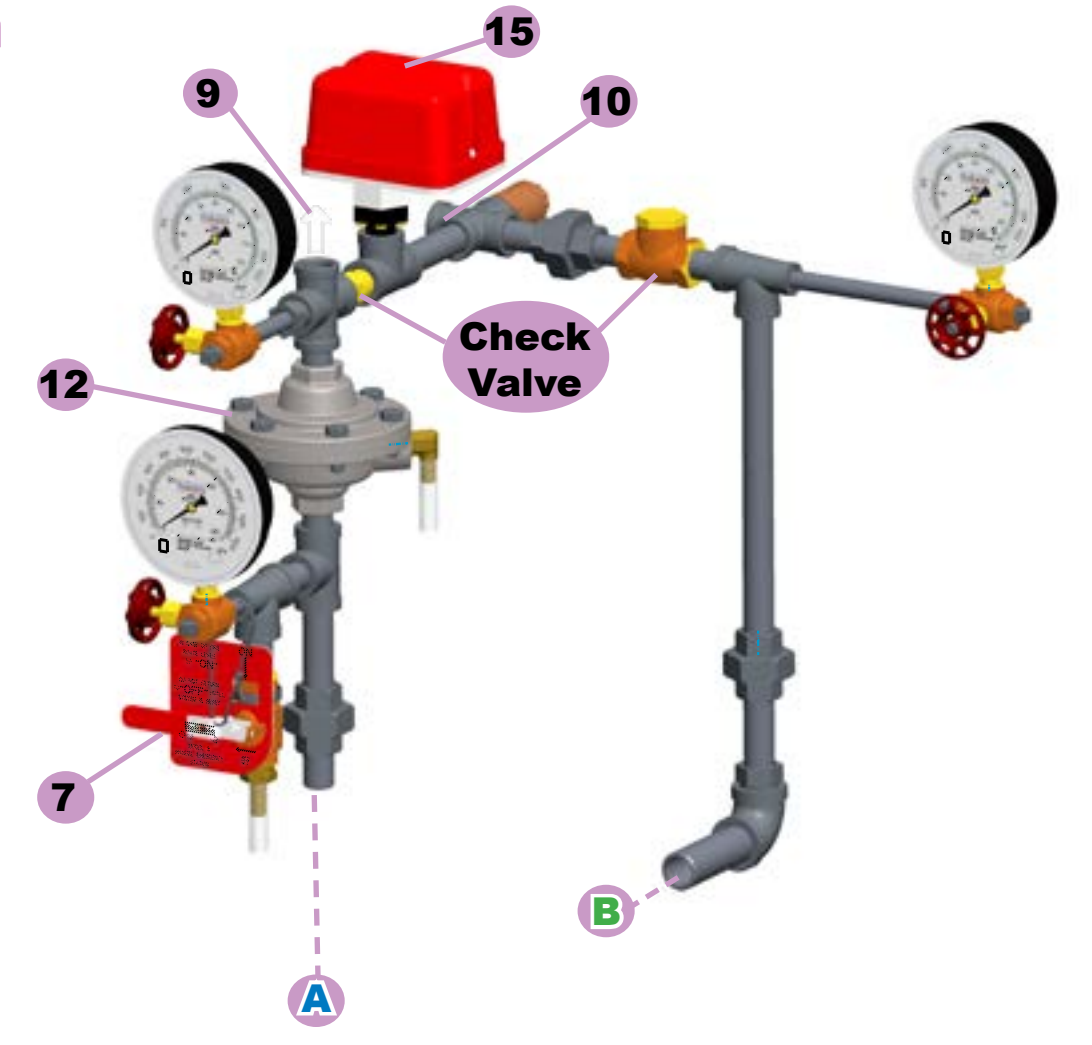
Please Refer to Reliable Technical [Bulletin 700](#) for Additional Information



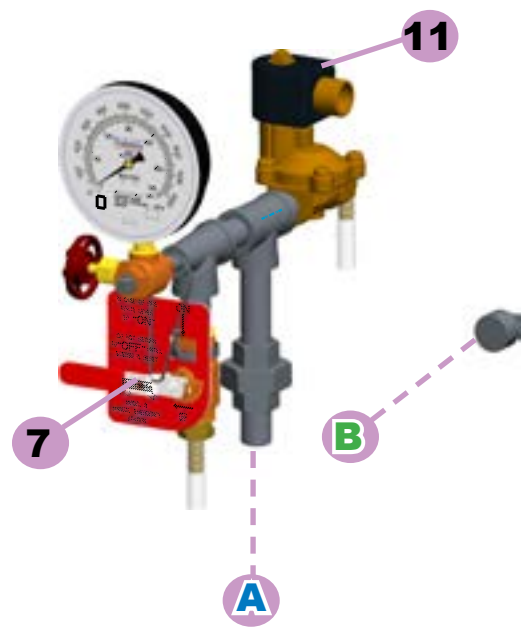
**Single-Interlock Preaction  
Electric Actuation Trim**  
[Bulletin 749](#)



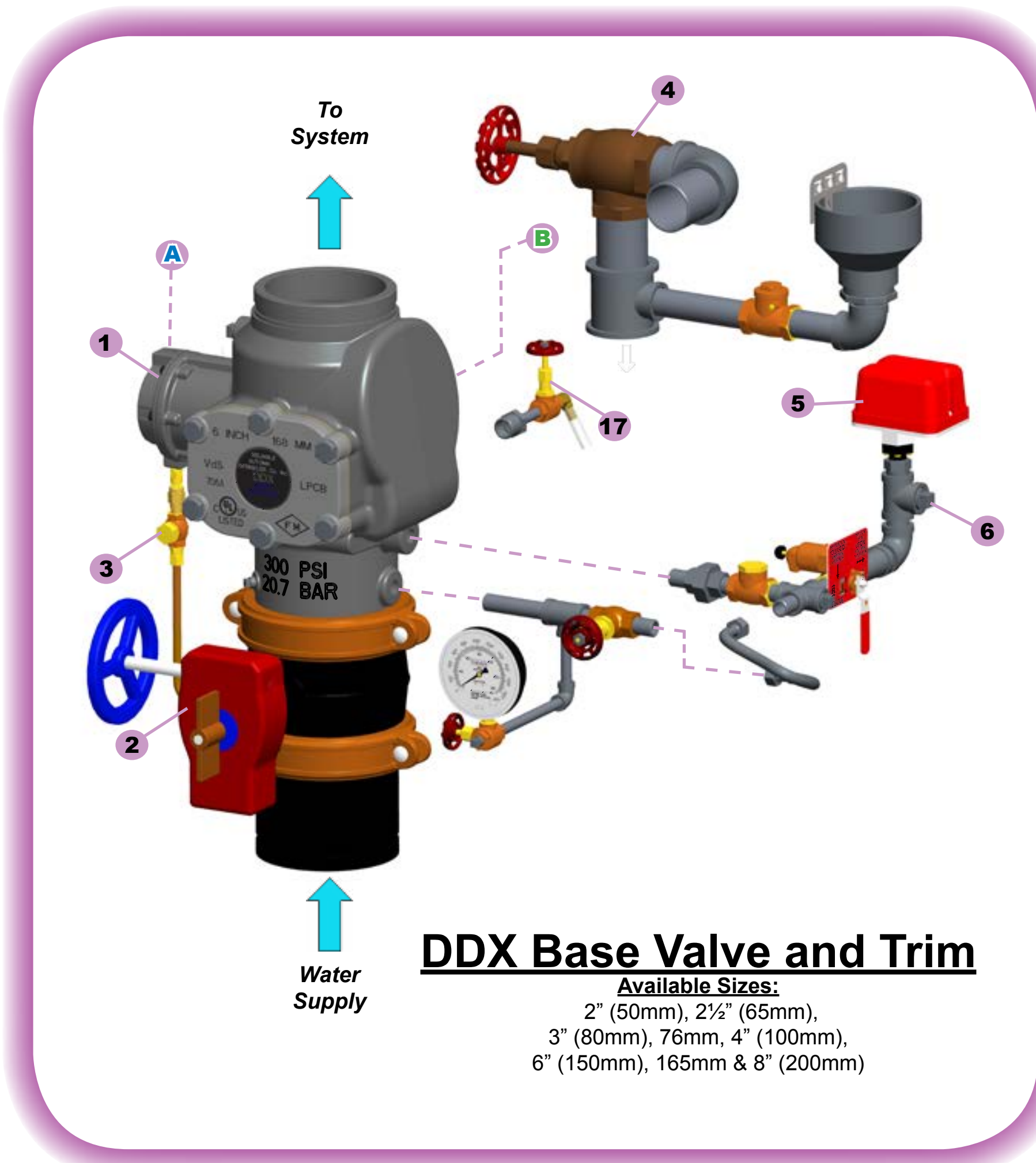
**Single-Interlock Preaction  
Wet Pilot Actuation Trim**  
[Bulletin 749](#)



**Single-Interlock Preaction  
Dry Pilot Actuation Trim**  
[Bulletin 749](#)



**Deluge Electric Trim**  
[Bulletin 519](#)

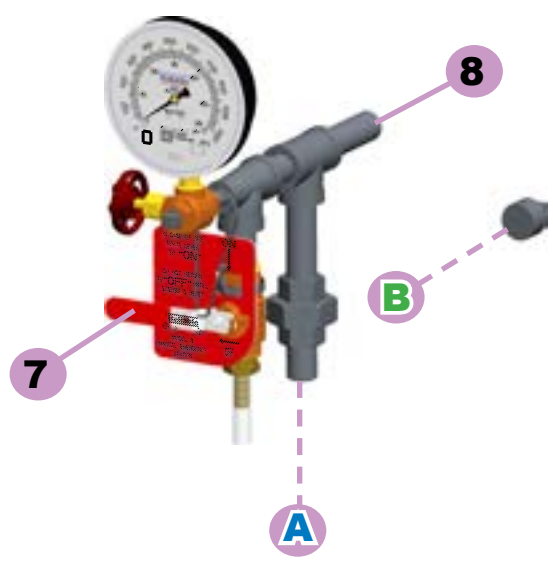


### DDX Base Valve and Trim

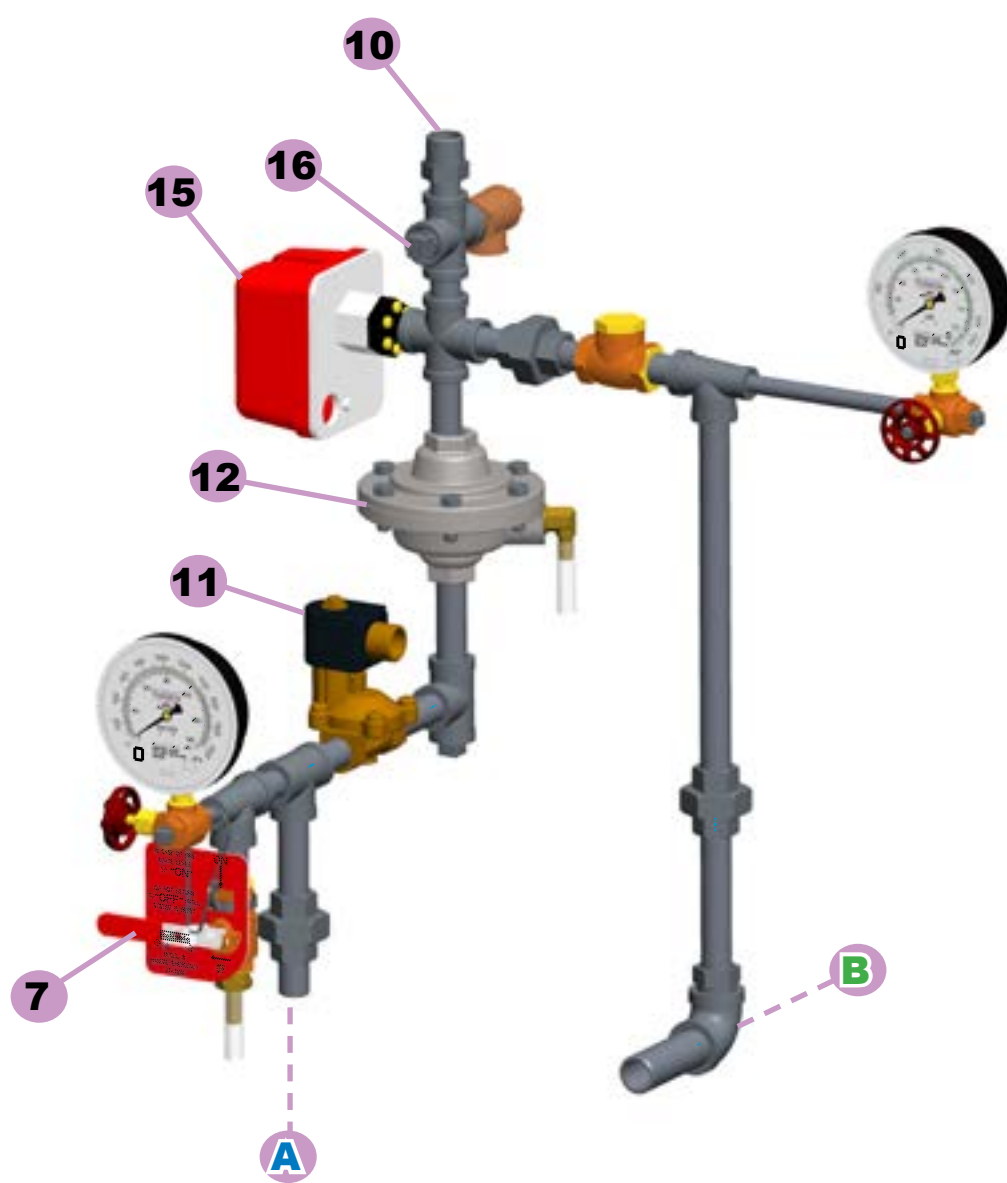
**Available Sizes:**  
2" (50mm), 2½" (65mm),  
3" (80mm), 76mm, 4" (100mm),  
6" (150mm), 165mm & 8" (200mm)



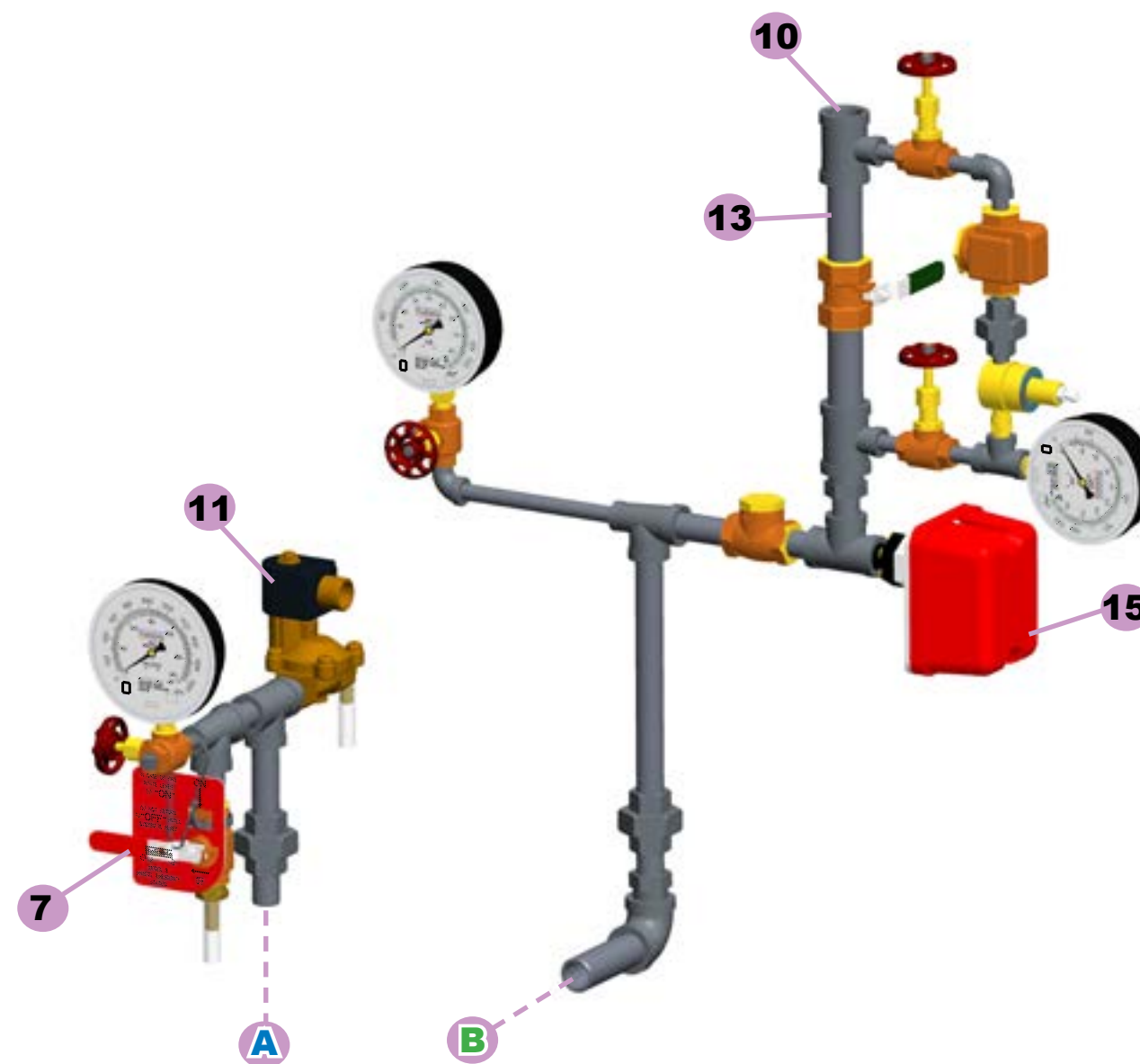
**Deluge Dry Pilot Trim**  
[Bulletin 519](#)



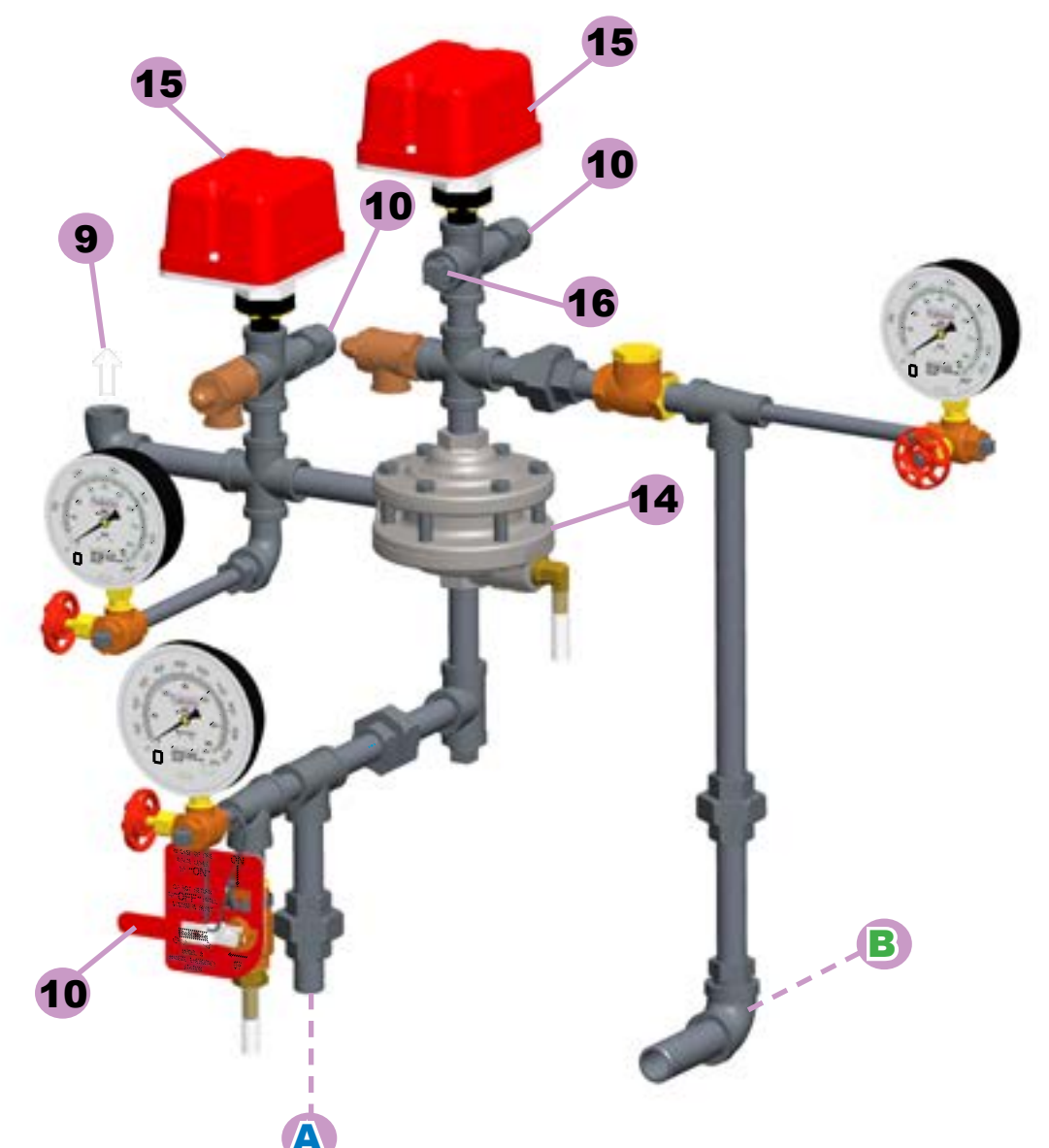
**Deluge Wet Pilot Trim**  
[Bulletin 519](#)



**Double-Interlock Preaction  
Type F Trim  
(Electric/Pneumatic)**  
[Bulletin 751](#)



**Double-Interlock Preaction  
Type D Trim  
(Electric/Electric)**  
[Bulletin 750](#)



**Double-Interlock Preaction  
Type PL Trim  
(Pneumatic/Pneumatic)**  
[Bulletin 752](#)

### KEY

- |                                       |  |
|---------------------------------------|--|
| 1. DDX Valve                          | 10. Air / Nitrogen Supply inlet          |
| 2. Water Supply Control Valve         | 11. Electric Solenoid Valve              |
| 3. Pushrod Pressurizing Line          | 12. LP Pneumatic Actuator                |
| 4. Main Drain Valve                   | 13. A-2 Pressure Maintenance Device      |
| 5. Alarm Pressure Switch              | 14. Type PL Pneumatic Actuator           |
| 6. Mechanical Alarm Outlet Connection | 15. Low Pressure Supervisory Switch      |
| 7. Hydraulic Manual Pull Station      | 16. B1 Accelerator Connection (Optional) |
| 8. To Wet Pilot Line                  | 17. Condensate Drain Valve               |
| 9. To Dry Pilot Sprinkler             |  |

- A. Pushrod Chamber Outlet Connection
- B. DDX Air / Nitrogen Inlet Connection (Plugged On Deluge Trims)

### Notes:

- Available with Fully Assembled Trim (with or without Control Valve), Segmented or Loose Trims
- See Special Hazards/Systems section of List Price Book for ordering information

**Reliable**<sup>®</sup>

TECHNOLOGY • QUALITY • SERVICE

1.800.431.1588

[www.reliablesprinkler.com](http://www.reliablesprinkler.com)