



The Reliable Automatic Sprinkler Company distribute PHD Manufacturing's adjustable in-rack and single in-rack flue hangers.

### Adjustable In-Rack Flue Hanger

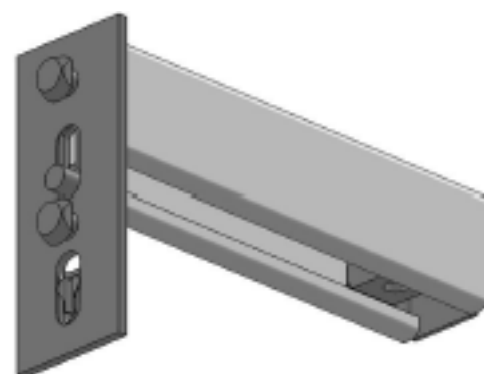
- Designed to be fully adjustable to fit typical 200mm (8"), 250mm (10") and 300mm (12") flue spaces between common warehouse racking type such as teardrop
- 10mm (3/8") Rod Size
- Low carbon steel material
- Electro-galvanized finish



Description	Part Number	Flue Space Length	Max. Rec. Load	Weight
Adjustable In-Rack Flue Hanger	7M99003055	203 to 305mm	3.25 Kn	1.59 Kg

### Single In-Rack Flue Hanger

- Designed to connect to common warehouse racking types such as teardrop
- 10mm (3/8") Rod Size
- Low carbon steel material
- Electro-galvanized finish



Description	Part Number	Flue Space Length	Max. Rec. Load	Weight
Single In-Rack Flue Hanger	7M99003106	178mm	0.56 Kn	0.75 Kg

