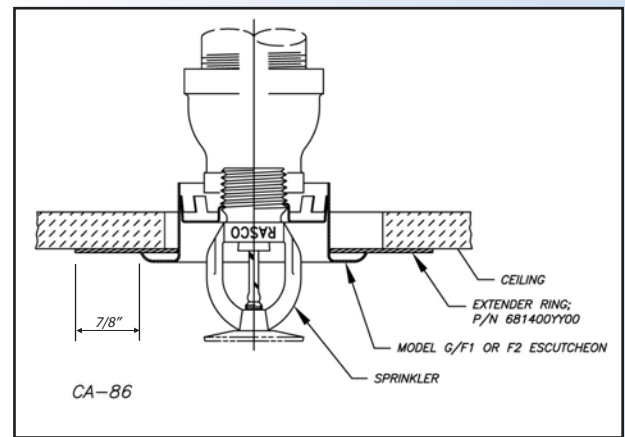
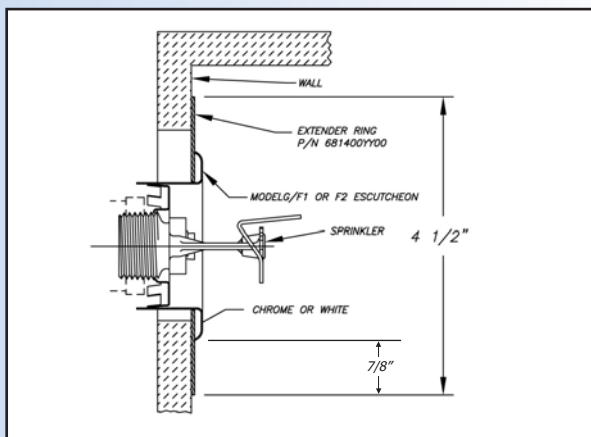


OOPS Plate!

Escutcheon Extender Ring for Seismic Applications



Sprinkler Escutcheon / Plate	Part Number	Outside Diameter	Inside Diameter	Color
F1 or F2	6814002100	4-1/2	1-15/16	Chrome
	6814001500	4-1/2	1-15/16	White
	6814042100	*5-1/2	1-15/16	Chrome
	6814041500	*5-1/2	1-15/16	White
FP/G4/RFC43/F4FR	6814022100	4-1/2	2-7/16	Chrome
	6814027200	4-1/2	2-7/16	White
	6814032100	*5-1/2	2-7/16	Chrome
	6814031800	*5-1/2	2-7/16	White
CCP/SWC/DH 80/56	6814022100	4-1/2	2-7/16	Chrome
	6814021800	4-1/2	2-7/16	White
	6814032100	*5-1/2	2-7/16	Chrome
	6814031800	*5-1/2	2-7/16	White

* 5-1/2 inch diameter are made to order and may take up to 6 to 8 weeks.

- Custom Colors are available upon request.
- For Custom Colors customer should supply paint samples.
- A set up charge is required for all custom orders.
- Allow 3 to 4 weeks for delivery.
- Contact your local Customer Service Department.