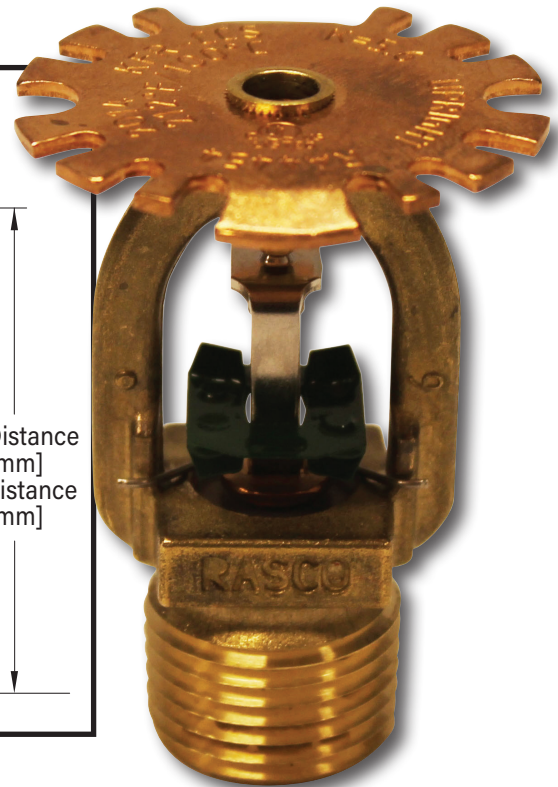
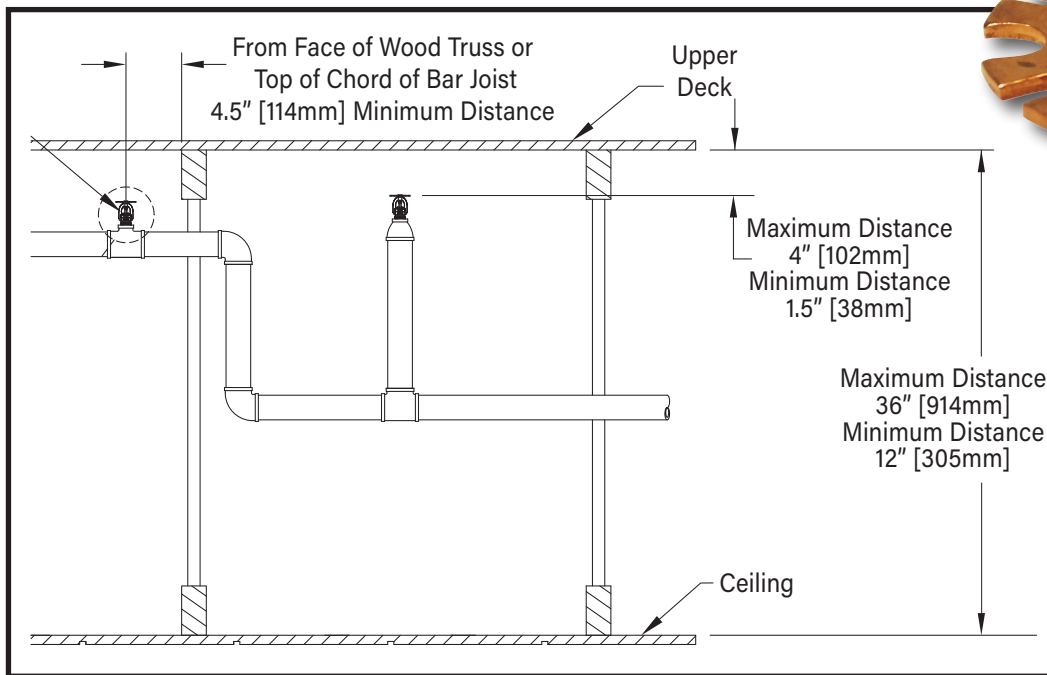


Combustible Concealed Space Sprinkler

PROVIDING COVERAGE UP TO **256 ft²**

KFR-CCS 56

- UL listed, K-5.6 Special Application Sprinkler for combustible concealed spaces
 - > CPVC = wet sprinkler systems
 - > Metallic piping = wet or dry sprinkler systems
- **212° solder element**
- Spacing: maximum of 14' between sprinklers for:
 - > Open trusses from 12" to less than 18" in depth
 - > Solid joists or composite wood joists
- Spacing: maximum of 16' between sprinklers for:
 - > Open trusses from 18" to 36"
- Minimum distance between sprinklers: 6'



See Bulletin 044 for installation details