



Switch supplied separately

Material List

No.	Component	Material
1	Body	Ductile Iron, EN-GJS-500-7
2	Wedge	Ductile Iron, EN-GJS-500-7, EPDM Encapsulated
3	Wedge Nut	Brass, CuZn39Pb3
4	Stem	Stainless Steel, SS420
5	Gasket	EPDM
6	Bonnet	Ductile Iron, EN-GJS-500-7
7	Thrust Ring	Brass, CuZn39Pb3
8	O-Ring	EPDM
9	O-Ring	EPDM
10	Gland	Ductile Iron, EN-GJS-500-7
11	Dust Proof Ring	EPDM
12	Handwheel	Ductile Iron, EN-GJS-500-7
13	Slider	Brass, CuZn39Pb3
14	Position Plate	Stainless Steel, SS316
15	Guide	Stainless Steel, SS316
16	Fixing Plate	Stainless Steel, SS316



Approval no: G416018

Information

Designed and Manufactured in Accordance with VdS 2100-08en

Flanged Ends are EN1092-2 PN10/PN16 (Standard)

Fusion Bonded Epoxy Coated Interior and Exterior with RAL 3000

High Strength Ductile-Iron (EN-GJS-500-7) Construction

Ductile-Iron Wedge Fully Encapsulated with EPDM Rubber Compound

High Strength Stainless Steel Stem with Low Operation Torque

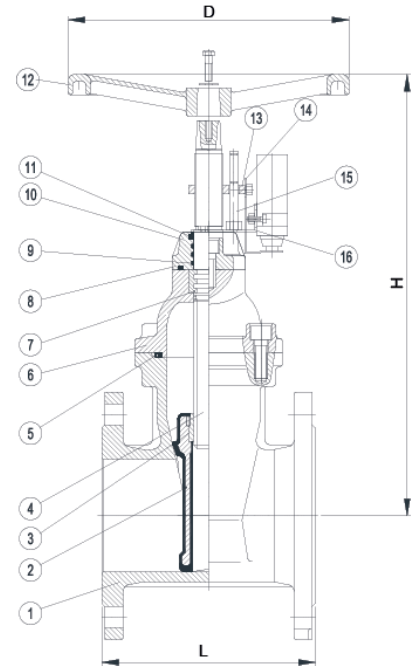
Triple EPDM O-Ring Seals. Wedge Nuts Brass (CuZn39Pb3) for Long Service Life

Underwriters Laboratories Working Pressure Rating of PN16/PN10 for size DN50-DN300

R0047B

Dimensions (mm)

DN	L	H	D	Weight
50 (2")	150	290	175	13kg
65 (2.5")	170	305	175	16kg
80 (3")	180	330	255	19kg
100 (4")	190	365	255	24kg
125 (5")	200	440	305	32kg
150 (6")	210	475	305	35kg
200 (8")	230	570	355	58kg
250 (10")	250	675	405	86kg
300 (12")	279	755	405	125kg



Ordering Information

Description	Size (mm)	Part Number
Flanged Non Rising Stem Gate Valve Resilient Seat	50 (2")	7U99002267
Flanged Non Rising Stem Gate Valve Resilient Seat	65 (2.5")	7U99002268
Flanged Non Rising Stem Gate Valve Resilient Seat	80 (3")	7U99002269
Flanged Non Rising Stem Gate Valve Resilient Seat	100 (4")	7U99002270
Flanged Non Rising Stem Gate Valve Resilient Seat	125 (5")	7U99002271
Flanged Non Rising Stem Gate Valve Resilient Seat	150 (6")	7U99002272
Flanged Non Rising Stem Gate Valve Resilient Seat	200 (8")	7U99002273
Flanged Non Rising Stem Gate Valve Resilient Seat	250 (10")	7U99002274
Flanged Non Rising Stem Gate Valve Resilient Seat	300 (12")	7U99002275