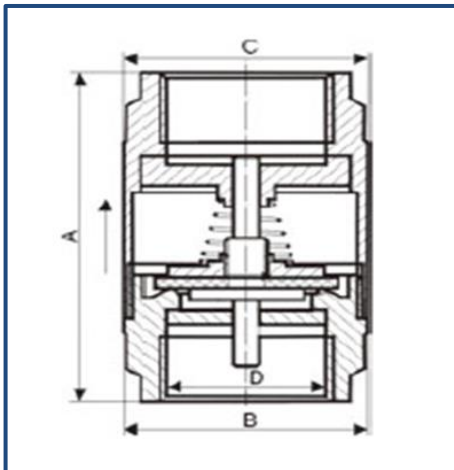


Brass Spring Barrel Check Valve

R0033A

Brass Check Valve, ISO228, Thread PN16



Technical Features

Suitable for domestic water services, heating and air-conditioning plants, compressed air systems. It can be installed in any position vertical, horizontal, oblique.

Mini and max working temp: -20°C, 100°C

Available: in all sizes from 3/8" up to 1"

Material List

Valve Body	Brass
Plate	Brass
Seal	NBR
Stem	Brass
Spring	SS304
Seat Washer	NBR

Dimensions

Size (mm)	3/8"	1/2"	3/4"	1"	1-1/4"	1-1/2"	2"
A	52	57.5	64	71.5	81.5	93.5	98.5
B	28	34	40.5	46	59.7	69.2	86.5
C	S20	S26.8	S32.6	S39.5	49.5	S54.5	S69
D	3/8	G1/2	G3/4	G1	G1-1/4	G1-1/2	G2

Ordering Information

Description	Size	Part Number
Brass Spring Barrel Check Valve	15mm / 1/2"	7U99001977
Brass Spring Barrel Check Valve	20mm / 3/4"	7U99001978
Brass Spring Barrel Check Valve	25mm / 1"	7U99001979