

Material List

Component	Material
Body	Ductile Iron ASTM A536 65-45-12
Wedge	Ductile Iron ASTM A536 65-45-12 +EPDM
Wedge Nut	Stainless Steel AISI 304
Stem	Stainless Steel AISI 304
Bonnet	Ductile Iron ASTM A536 65-45-12
Gasket	EPDM
Packing	Graphite
Stem Nut	Bronze ASTM B62
Handwheel	Ductile Iron ASTM A536 65-45-12

Flanged Ends:

Grooved ends to suit ANSI/AWWA and BS Pipe

Stainless Steel Stem

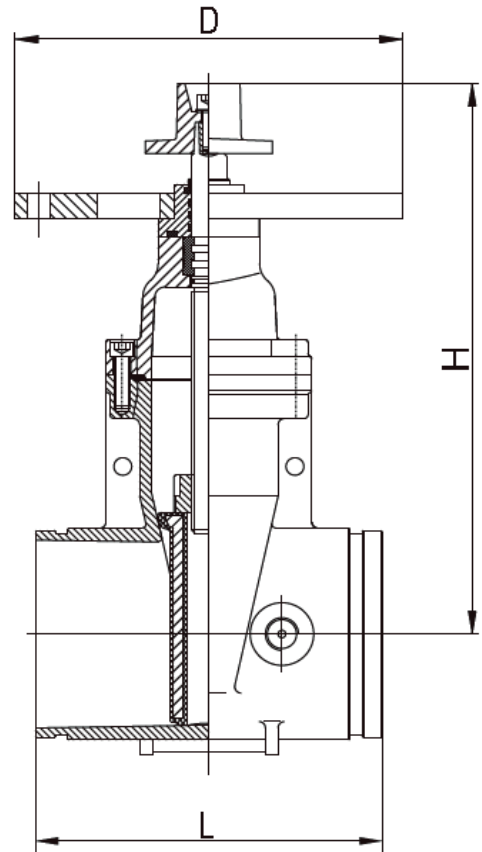
Valve Standard:

Conforms to AWWA C515/BS5163

Fusion Bonded Epoxy
Coated Exterior RAL3003

Working pressure:

21 BARS/300PSI



R0014D

Dimensions (mm)

DN	L	H	oD4
50 (2")	178	417.5	183
65 (2.5")	190	417.5	183
80 (3")	203	487.5	253
100 (4")	229	538	253
125 (5")	254	654	305
150 (6")	267	740	305
200 (8")	292	935	355
250 (10")	330	1126	445
300 (12")	356	1316	445

Ordering Information

Description	Size (mm)	Part Number
OS&Y Valve Grooved/Grooved 300PSI (Rasco)	65 (2.5")	7U99001883
OS&Y Valve Grooved/Grooved 300PSI (Rasco)	76 (2.5")	7U99001884
OS&Y Valve Grooved/Grooved 300PSI (Rasco)	80 (3")	7U99001885
OS&Y Valve Grooved/Grooved 300PSI (Rasco)	100 (4")	7U99001886
OS&Y Valve Grooved/Grooved 300PSI (Rasco)	165 (6")	7U99001888
OS&Y Valve Grooved/Grooved 300PSI (Rasco)	168 (6")	7U99001889
OS&Y Valve Grooved/Grooved 300PSI (Rasco)	200 (8")	7U99001892
OS&Y Valve Grooved/Grooved 300PSI (Rasco)	250 (10")	7U99001893
OS&Y Valve Grooved/Grooved 300PSI (Rasco)	300 (12")	7U99001894