



Cutaway image for reference only

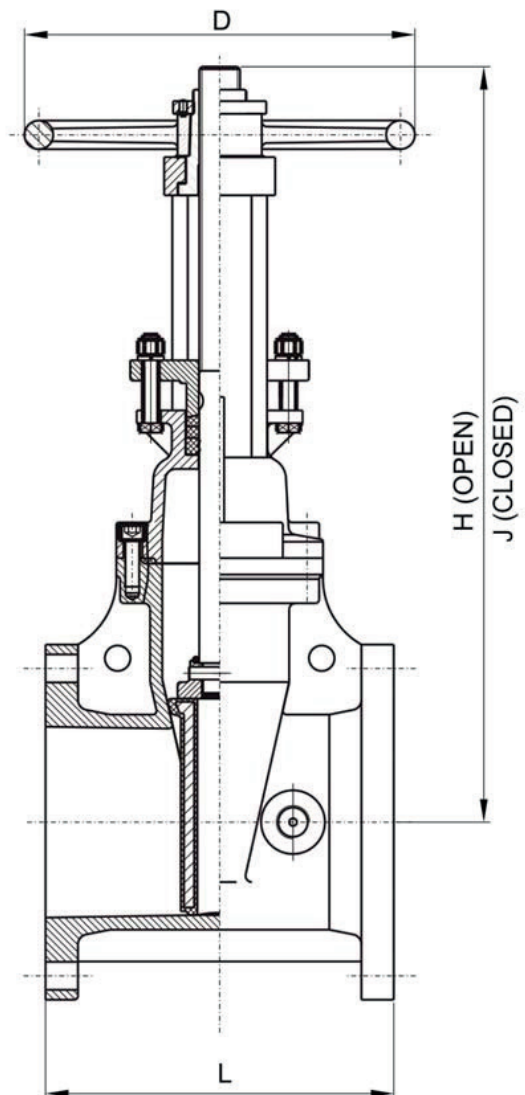
Material List

Component	Material
Body	Ductile Iron ASTM A536 65-45-12
Wedge	Ductile Iron ASTM A536 65-45-12 + EPDM
Wedge Nut	Stainless Steel AISI 304
Stem	Stainless Steel AISI 304/302
Bonnet	Ductile Iron ASTM A536 65-45-12
Gasket	EPDM
Packing	Graphite
Stem Nut	Bronze ASTM B62
Handwheel	Ductile Iron ASTM A536 65-45-12

Working Pressure & Temperature

Max Working Pressure: 300PSI / 21 Bar
 Working Temperature: -10°C to 120°C
 Flanged Ends: ANSI B16.1 Class 125/150/250 EN1092-2
 PN10/PN16 BS10

Conforms to AWWA C515 / BS5163
 Fusion Bonded Epoxy Coated Interior & Exterior RAL3002
 All valves supplied with 50mm / 2" operating nut.
 Design and materials are subject to change without notice.



R0012E

Dimensions (mm)

DN	L	H	J	D	Weight
50 (2")	178	418	350.5	183	20kg
65 (2 1/2")	191	418	350.5	183	21kg
80 (3")	203	488	405.5	253	28kg
100 (4")	229	538	436	253	37kg
125 (5")	254	654	528	306	50kg
150 (6")	267	740	591	306	58kg
200 (8")	292	935	730	355	98kg
250 (10")	330	1126	871	445	134kg
300 (12")	356	1316	1011	455	190kg

Ordering Information

Description	Size (mm)	Part Number
OS&Y Valve, FM Only 300PSI FL/FL PN16	50 (2")	7U99002315
OS&Y Valve, FM/UL 300PSI FL/FL PN16	65 (2.5")	7U99001518
OS&Y Valve, FM/UL 300PSI FL/FL PN16	80 (3")	7U99001519
OS&Y Valve, FM/UL 300PSI FL/FL PN16	100 (4")	7U99001520
OS&Y Valve, FM/UL 300PSI FL/FL PN16	125 (5")	7U99001521
OS&Y Valve, FM/UL 300PSI FL/FL PN16	150 (6")	7U99001522
OS&Y Valve, FM/UL 300PSI FL/FL PN16	200 (8")	7U99001523
OS&Y Valve, FM/UL 300PSI FL/FL PN16	250 (10")	7U99001524
OS&Y Valve, FM/UL 300PSI FL/FL PN16	300 (12")	7U99001525

Description	Size (mm)	Part Number
OS&Y Valve, FM Only 300PSI FL/FL ANSI	50 (2")	7U99002314
OS&Y Valve, FM/UL 300PSI FL/FL ANSI	65 (2.5")	7U99001571
OS&Y Valve, FM/UL 300PSI FL/FL ANSI	80 (3")	7U99001572
OS&Y Valve, FM/UL 300PSI FL/FL ANSI	100 (4")	7U99001573
OS&Y Valve, FM/UL 300PSI FL/FL ANSI	150 (6")	7U99001575
OS&Y Valve, FM/UL 300PSI FL/FL ANSI	200 (8")	7U99001576
OS&Y Valve, FM/UL 300PSI FL/FL ANSI	250 (10")	7U99001577
OS&Y Valve, FM/UL 300PSI FL/FL ANSI	300 (12")	7U99001578