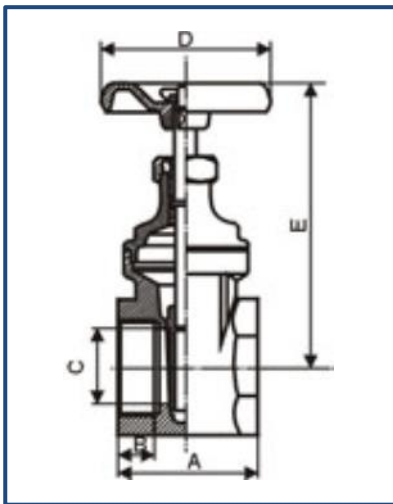


Forged Brass Gate Valve, Full Bore, PN20, ISO228 Thread



Technical Features

Suitable for domestic water services and heating plants.

Minimum and maximum working.

Temperature: -20°C, 120° in absence of steam.

Available: in all sizes from ½" up to 2".

Technical Features

Description	Material
Valve Body	Brass
Handle	Steel
Stem	Brass
Seat	Brass
Bonnet	Brass
O-Ring	P.T.F.E

Dimensions

Size (mm)	½"	¾"	1"	1¼"	1½"	2"
A	41.7	45.9	51.1	59.2	63	66.4
B	12.8	14.3	16.3	17	17	18.4
C	14.2	18.1	23.2	31.6	36	47.1
D	50.5	55.5	58.5	69.7	80	90
E	71.9	80.2	87.4	113.6	135	183.6

Ordering Information

Description	Size	Part Number
Brass Gate Valve Female Threaded	20mm / ¾"	7U99001972
Brass Gate Valve Female Threaded	25mm / 1"	7U99001973
Brass Gate Valve Female Threaded	32mm / 1¼"	7U99001974
Brass Gate Valve Female Threaded	40mm / 1½"	7U99001975
Brass Gate Valve Female Threaded	50mm / 2"	7U99001976