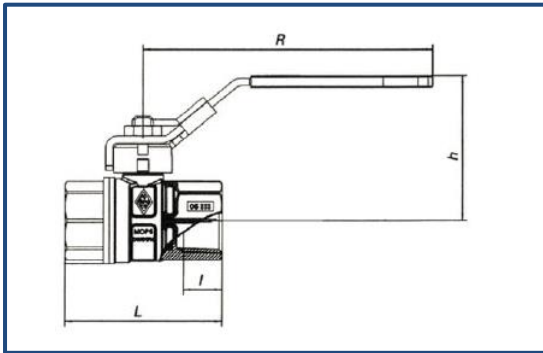


Ball Valve – Locking Lever

R0035A

Nickel Plated Body, Brass Ball & Stem, PTFE Seats, Full Bore, Yellow Lever, Screwed BSPT



Pressure / Temperature

Pressure	¼" to 1"	PN40
	1¼" to 2"	PN25
	2½" to 4"	PN16

Temperature -20° C to 110° C

Material List

Description	Material
Body	Brass
Bonnet	Brass
Ball	Brass
Stem	Brass
Seat	PTFE
Handle	Iron
Nut	Brass
O-Ring	NBR

Dimensions

DN	Size	I	L	h	R	Kg
10	¼"	12	45.5	36	88	0.18
12	⅜"	16.5	51.5	37	88	0.17
15	½"	16	58.5	40	88	0.16
20	¾"	17	62	44	88	0.27
25	1"	20.7	71	58	111	0.41
32	1¼"	23.5	83.5	66.5	130	0.62
40	1½"	24	101	72.6	130	0.87
50	2"	28	104.5	83.5	158	1.5
65	2½"	32	152.5	116	222	2.03
80	3"	35	170	123	245	3.72
100	4"	41	205	140	245	5.98

Ordering Information

Description	Size	Part Number
Lockable Brass Ball Valve Female Thread	15mm / ½"	7U99001983
Lockable Brass Ball Valve Female Thread	20mm / ¾"	7U99001984
Lockable Brass Ball Valve Female Thread	25mm / 1"	7U99001985
Lockable Brass Ball Valve Female Thread	32mm / 1¼"	7U99001986
Lockable Brass Ball Valve Female Thread	40mm / 1½"	7U99001987
Lockable Brass Ball Valve Female Thread	50mm / 2"	7U99001988