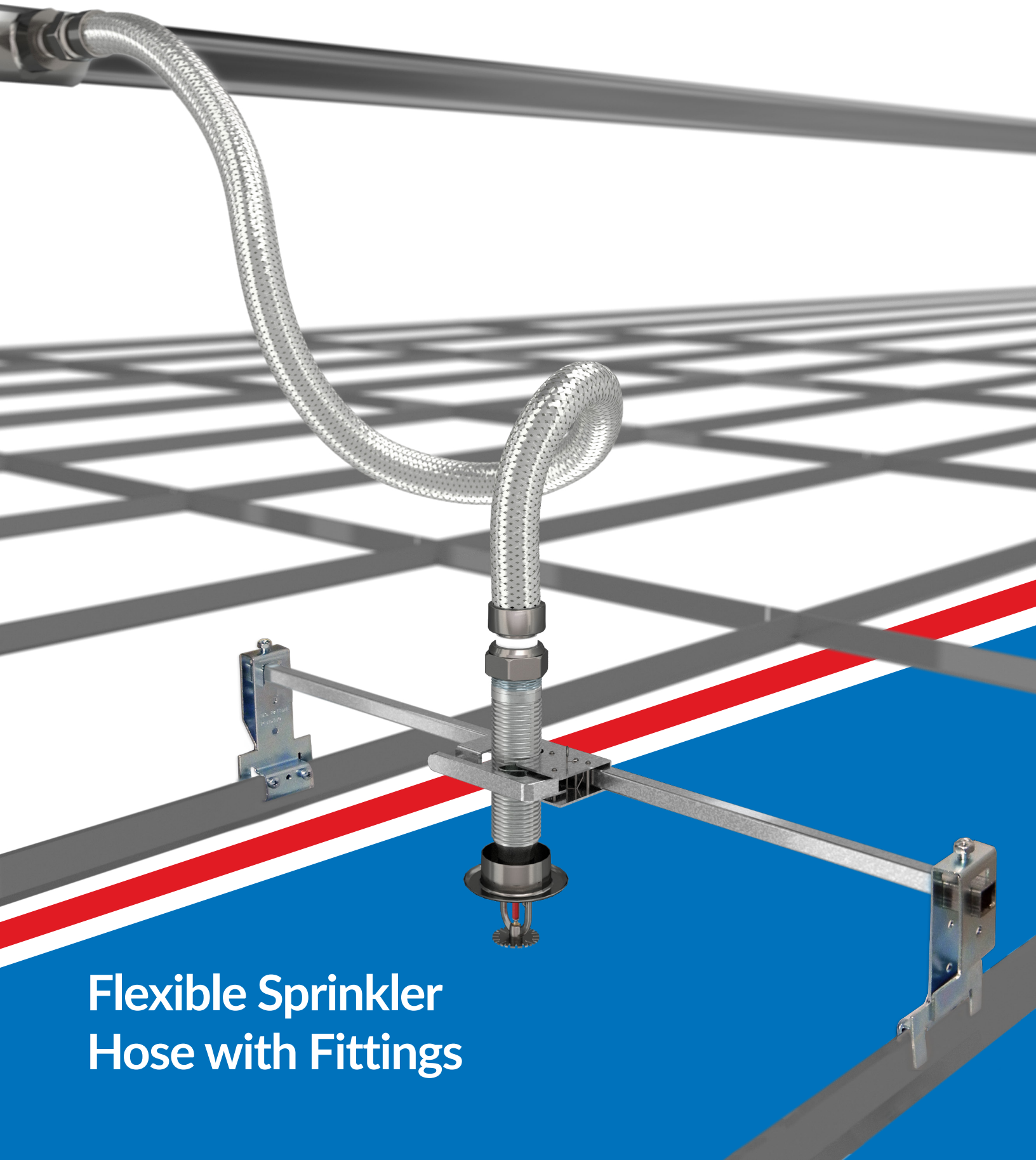


**Reliable**<sup>®</sup>

**RASCOFLEX**<sup>™</sup>  
Sprinkler Connections



**Flexible Sprinkler  
Hose with Fittings**

# Series RFB Braided Hose Assemblies



**RASCOFLEX™** Sprinkler Connections are manufactured for installation on suspended ceiling grids. They can be applied onto grid types such as T-Bar, metal stud, wood beam, or hat channel grids. The complete set comes ready to install and is UL Listed and FM Approved.

**RASCOFLEX™** Sprinkler Connections are designed for use in hydraulically intended wet, deluge, pre-action or dry sprinkler systems per NFPA 13, 13R, and 13D guidelines.

## RASCOFLEX™ Sprinkler Connection Components

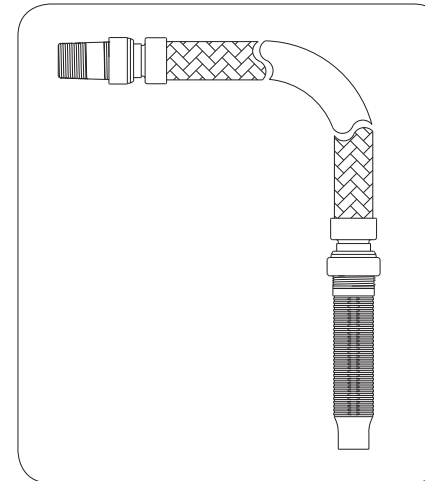
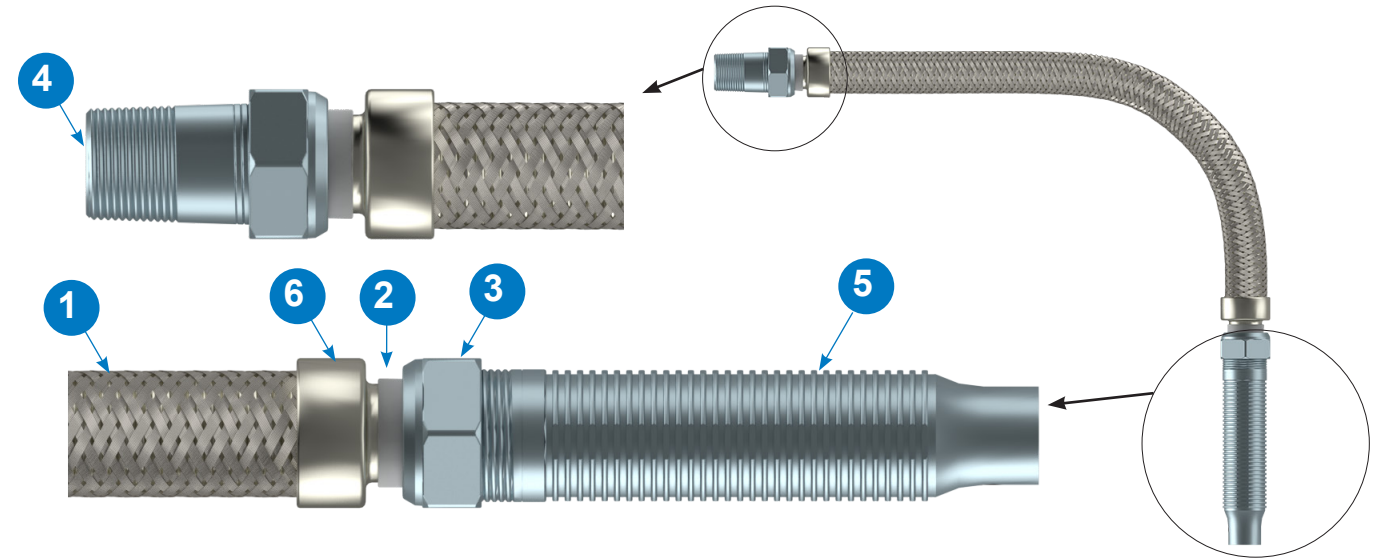
- (Hose Model) 1" Nominal ID Braided Hose
- Lengths: 24", 31", 40", 48", 60", 72"
- 1/2" and 3/4" straight reducers
- 1/2" and 3/4" elbow reducer
- 24" (610mm) and 48" (1219mm) bracket that can be used on suspended T-Bar, Metal Stud, Wood Beam, and Hat Channel ceiling grids.

## Technical Data

- Maximum Working Pressure:
  - ♦ 200 psi per FM Approval
  - ♦ 175 psi per UL Listing
- Maximum Ambient Temperature: 300°F
- Connection to Branch Line: 1-inch/25mm NPT/BSPT
- Minimum Bend Radius of Flexible Sprinkler Hose:
  - ♦ 3" (76mm) per UL Listing
  - ♦ 7" (178mm) per FM Approval
- Maximum Number 90° Bends: Refer to the "Friction Loss Data" on page 5
- Maximum K-Factor of Flexible Sprinkler Hose to be connected Reducing Nipple:
  - ♦ 1/2": 5.6 US (80 Metric)
  - ♦ 3/4": 14.0 US (200 Metric)
- Listing and Approvals
  - ♦ Braided: FM Approved, UL Listed

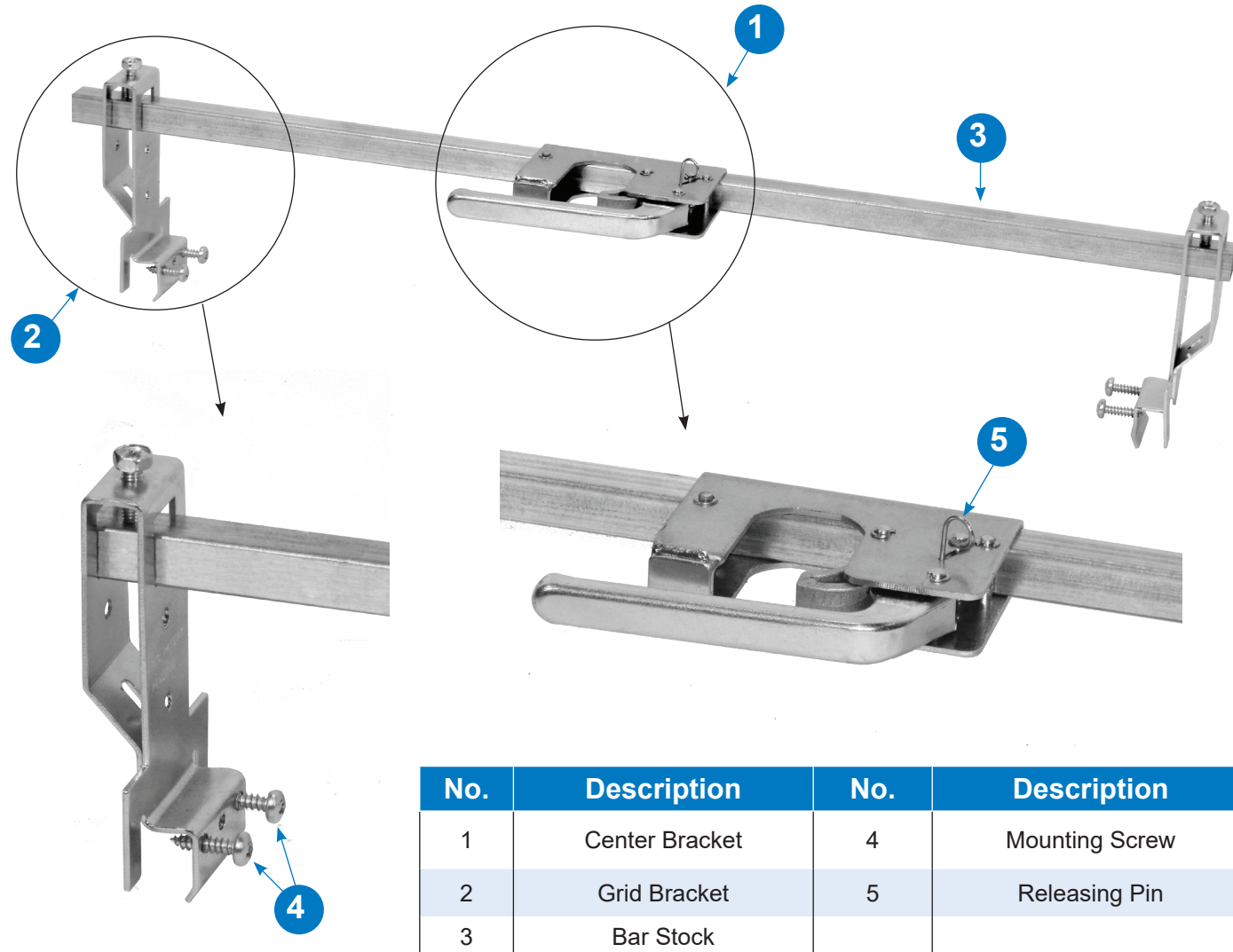


## Braided Flexible Hose



| No. | Description              | No. | Description             |
|-----|--------------------------|-----|-------------------------|
| 1   | Flexible Hose with Braid | 4   | Branch Line Nipple (1") |
| 2   | Isolation Ring           | 5   | Reducer                 |
| 3   | Nut and Gasket           | 6   | Welded Collar Fitting   |

## Bracket Assembly



| No. | Description    | No. | Description    |
|-----|----------------|-----|----------------|
| 1   | Center Bracket | 4   | Mounting Screw |
| 2   | Grid Bracket   | 5   | Releasing Pin  |
| 3   | Bar Stock      |     |                |

## Material Specifications

|                |                          |           |                        |
|----------------|--------------------------|-----------|------------------------|
| Hose           | Stainless Steel 304      | O-Ring    | EPDM                   |
| Reducer        | Zinc Plated Carbon Steel | Bracket-L | Zinc Plated SPCC Steel |
| Nipple         | Zinc Plated Carbon Steel | Bracket-S | Zinc Plated SPCC Steel |
| Nut            | Zinc Plated Carbon Steel | Braid     | Stainless Steel 304    |
| Isolation Ring | Nylon 66                 | Bar Stock | Zinc Plated SGCC Steel |

## Friction Loss Data



### Braided Hose UL Listed

| Model  | Outlet Size NPT (inch) | Length inch (mm) | Maximum Number 90° Bends at 3" (76mm) Bend Radius | UL Listed Maximum Equivalent Length of SCH 40 1 inch Diameter Pipe (C=120), ft (m) |
|--------|------------------------|------------------|---|--|
| RFB24H | 1/2                    | 24 (609.6)       | 2   | 10 (3)   |
| RFB24T | 3/4                    | 24 (609.6)       | 2   | 13 (4)   |
| RFB31H | 1/2                    | 31 (787.4)       | 3   | 14 (4.3)   |
| RFB31T | 3/4                    | 31 (787.4)       | 3   | 16 (3.9)   |
| RFB40H | 1/2                    | 40 (1016)        | 4   | 21 (6.4)   |
| RFB40T | 3/4                    | 40 (1016)        | 4   | 23 (7)   |
| RFB48H | 1/2                    | 48 (1219.2)      | 4   | 24 (7.3)   |
| RFB48T | 3/4                    | 48 (1219.2)      | 4   | 26 (7.9)   |
| RFB60H | 1/2                    | 60 (1524)        | 4   | 25 (7.6)   |
| RFB60T | 3/4                    | 60 (1524)        | 4   | 30 (9.1)   |
| RFB72H | 1/2                    | 72 (1828.8)      | 5   | 36 (11)  |
| RFB72T | 3/4                    | 72 (1828.8)      | 5   | 33 (10.1)  |



## Braided Hose FM Approval

| Length of Flexible Hose (inch) | Outlet Size |           | Sprinkler K-Factor | Maximum Ambient Temperature °F (°C) | Maximum Working Pressure psi (bar) | Maximum Number of 90° Bends at 7" (178mm) Bend Radius | Equivalent Length of 1" (33.7mm) Sch. 40 Pipe ft (m) |
|--------------------------------|-------------|-----------|--------------------|-------------------------------------|------------------------------------|---|--|
|                                | Size (inch) | Type      |                    |                                     |                                    |   |  |
| 24"                            | 1/2         | Straight  | 5.6 (80)           | 300°F (149°C)                       | 200 (13.79)                        | 1   | 9.7 (2.9)  |
|                                | 1/2         | 90° Elbow | 5.6 (80)           | 300°F (149°C)                       | 200 (13.79)                        | 0   | 11.5 (3.5)   |
|                                | 3/4         | Straight  | 14.0 (200)         | 300°F (149°C)                       | 200 (13.79)                        | 1   | 9.9 (3)  |
|                                | 3/4         | 90° Elbow | 14.0 (200)         | 300°F (149°C)                       | 200 (13.79)                        | 0   | 10.2 (3.1)   |
| 31"                            | 1/2         | Straight  | 5.6 (80)           | 300°F (149°C)                       | 200 (13.79)                        | 2   | 12.4 (3.8)   |
|                                | 1/2         | 90° Elbow | 5.6 (80)           | 300°F (149°C)                       | 200 (13.79)                        | 2   | 15.8 (4.8)   |
|                                | 3/4         | Straight  | 14.0 (200)         | 300°F (149°C)                       | 200 (13.79)                        | 2   | 13.7 (4.1)   |
|                                | 3/4         | 90° Elbow | 14.0 (200)         | 300°F (149°C)                       | 200 (13.79)                        | 2   | 14.5 (4.4)   |
| 40"                            | 1/2         | Straight  | 5.6 (80)           | 300°F (149°C)                       | 200 (13.79)                        | 2   | 15.9 (4.8)   |
|                                | 1/2         | 90° Elbow | 5.6 (80)           | 300°F (149°C)                       | 200 (13.79)                        | 2   | 21.6 (6.6)   |
|                                | 3/4         | Straight  | 14.0 (200)         | 300°F (149°C)                       | 200 (13.79)                        | 2   | 18.5 (5.6)   |
|                                | 3/4         | 90° Elbow | 14.0 (200)         | 300°F (149°C)                       | 200 (13.79)                        | 2   | 20 (6)   |
| 48"                            | 1/2         | Straight  | 5.6 (80)           | 300°F (149°C)                       | 200 (13.79)                        | 3   | 19.0 (5.8)   |
|                                | 1/2         | 90° Elbow | 5.6 (80)           | 300°F (149°C)                       | 200 (13.79)                        | 3   | 25.9 (7.9)   |
|                                | 3/4         | Straight  | 14.0 (200)         | 300°F (149°C)                       | 200 (13.79)                        | 3   | 22.7 (6.9)   |
|                                | 3/4         | 90° Elbow | 14.0 (200)         | 300°F (149°C)                       | 200 (13.79)                        | 3   | 24.8 (7.5)   |
| 60"                            | 1/2         | Straight  | 5.6 (80)           | 300°F (149°C)                       | 200 (13.79)                        | 4   | 23.7 (7.2)   |
|                                | 1/2         | 90° Elbow | 5.6 (80)           | 300°F (149°C)                       | 200 (13.79)                        | 4   | 33.1 (10)  |
|                                | 3/4         | Straight  | 14.0 (200)         | 300°F (149°C)                       | 200 (13.79)                        | 4   | 29.1 (8.8)   |
|                                | 3/4         | 90° Elbow | 14.0 (200)         | 300°F (149°C)                       | 200 (13.79)                        | 4   | 32.2 (9.8)   |
| 72"                            | 1/2         | Straight  | 5.6 (80)           | 300°F (149°C)                       | 200 (13.79)                        | 4   | 28.4 (8.6)   |
|                                | 1/2         | 90° Elbow | 5.6 (80)           | 300°F (149°C)                       | 200 (13.79)                        | 4   | 40.4 (12.3)  |
|                                | 3/4         | Straight  | 14.0 (200)         | 300°F (149°C)                       | 200 (13.79)                        | 4   | 35.5 (10.8)  |
|                                | 3/4         | 90° Elbow | 14.0 (200)         | 300°F (149°C)                       | 200 (13.79)                        | 4   | 39.5 (12)  |

## Limited Warranty

Reliable Automatic Sprinkler Co. warrants that their products will be free of any defects in materials and workmanship under normal conditions of use and service for period of (2) two years from the date of sale. Under this warranty, the obligation is limited to replacing or repairing any product that is returned to **RASCOFLEX™** Sprinkler Connections and after the completion of inspection of defects in material or workmanship under normal operating conditions of use/service. To either repair or replace any product is upon Reliable Automatic Sprinkler Co. to decide. The following are excluded from the coverage of the warranty:

- Components other than those manufactured or sold by Reliable Automatic Sprinkler Co.
- The installation, designing, inspection, or testing process done in a manner not in compliance with the appropriate and applicable requirements, codes, law, regulation or rule of any federal, state or local governmental or industry standards such as NFPA
- Products that have not been inspected and maintained in accordance with Reliable specifications and NFPA standards
- Defect resulting from ordinary wear and tear.
- Products that have been altered in any way by anyone other than Reliable Sprinkler Co.
- Products that have been misused
- Exposure to abnormal environmental conditions

This warranty is non-transferable and shall benefit only the original purchaser of the Reliable Flexible Sprinkler product. If any provision here-of or any portion of any provision shall be held invalid, the remainder of this Limited Warranty shall not be affected thereby, and all provisions of this Limited Warranty shall remain valid and in full force and effect to the fullest extent permitted by law.

THIS LIMITED WARRANTY IS IN LIEU OF ALL OTHER WARRANTIES, EXPRESSED OR IMPLIED, INCLUDING BUT NOT LIMITED TO, THE IMPLIED WARRANTIES OF MERCHANTABILITY AND FITNESS FOR A PARTICULAR PURPOSE. NOTWITHSTANDING ANY PROVISION TO THE CONTRARY HEREIN OR ANY APPLICABLE LAW TO THE CONTRARY, IN NO EVENT SHALL RELIABLE AUTOMATIC SPRINKLER CO., BE LIABLE FOR INCIDENTAL OR CONSEQUENTIAL DAMAGES UNDER ANY CIRCUMSTANCES WHATSOEVER, WHETHER ARISING FROM ANY BREACH OF THIS LIMITED WARRANTY OR OTHERWISE ARISING FROM OR IN CONNECTION WITH THE USE OR OPERATION OF, OR ANY DEFECT IN, ANY RELIABLE SPRINKLER CO, PRODUCT OR OTHERWISE.



## NORTH AMERICA SALES AND DISTRIBUTION

### NORTH AMERICA

---

*Boston, MA (Walpole)*  
800.431.1588

*Columbus, OH*  
800.228.6274

*San Francisco, CA (San Leandro)*  
800.352.4365

*New York, NY (Elmsford)*  
800.431.1588

*Minneapolis, MN (Roseville)*  
877.827.2816

*Portland, OR*  
877.523.3178

*Washington, DC (Lorton, VA)*  
877.883.8831

*Dallas, TX*  
800.442.6742

*Seattle, WA (Kent)*  
877.327.2563

*Atlanta, GA (Norcross)*  
800.652.1819

*Houston, TX*  
866.978.9965

*Toronto, Canada (Mississauga)*  
800.790.6443

*Orlando, FL (Longwood)*  
800.801.3097

*Grand Prairie, TX*  
888.787.4015

*Vancouver, Canada (Surrey)*  
604.542.1864

*Miami, FL (Miramar)*  
954.437.2520

*Denver, CO*  
877.440.2598

*Chicago, IL (Bloomingdale)*  
800.228.6274

*Los Angeles, CA (Brea)*  
800.352.4365

### TECHNICAL SERVICES

---

[techserv@reliablesprinkler.com](mailto:techserv@reliablesprinkler.com)  
800.557.2726

---

[www.reliablesprinkler.com](http://www.reliablesprinkler.com)

---