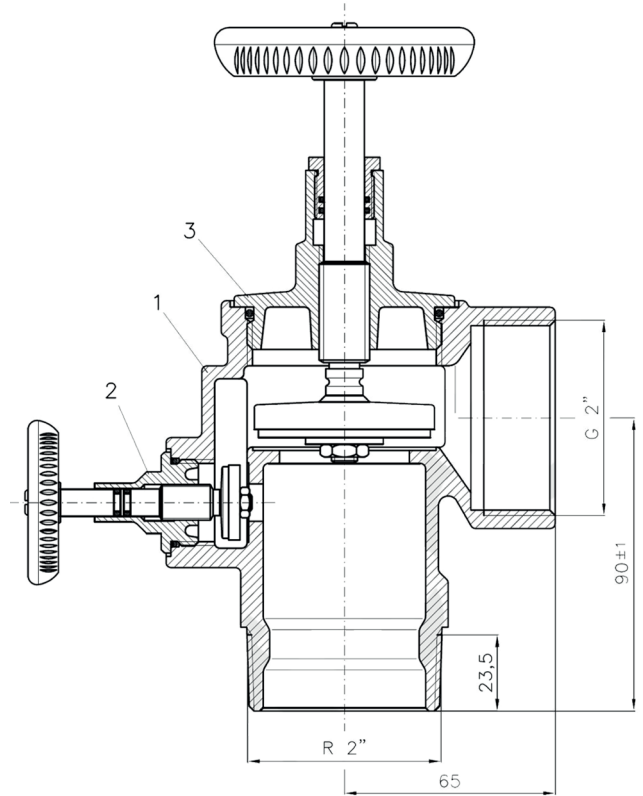


RASCO Test and Drain Valve



Working Pressure & Temperature

Max Working Pressure:	Max. 16 bar
Operating Medium:	Water/Compressed Air
Operating Temperature:	Max. 60 °C

Material List

Item	Component	Material	Quantity
1	Frame	CuSn5ZnPb5-C	1
2	Upper part 3/4"	CuZn39Pb3	1
3	Upper part 2"	CuZn39Pb3	1

Product Information

Item	Orifice	Part Number	Unit Quantity
Test and Drain	K57	6999996233	1