

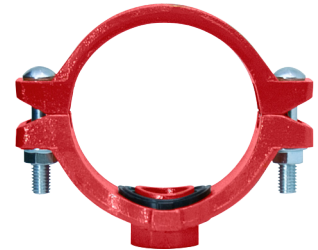


Model MTT2 Threaded Mechanical Tee FNPT/BSPT

cULus Listed, FM Approved
300 psi (20.7 bar)

MTT2 Threaded Mechanical Tee FNPT/BSPT Technical Data

Operating Specifications Maximum Working Pressure: 300 psi (20.7 bar) Operating Temperature -30 °F to 230 °F (-34 °C to 110 °C)	Thread Specification: NPT Threads: ASME B1.20.1 BSPT Threads: ISO 7-1
Material Specifications Housings: ASTM A536 Grade 65-45-12 Ductile Iron Gasket: Grade E EDPM	Available Finishes Housing: Red powder coating Hot dipped galvanized (ASTM A-153)
Bolt Specification: ISO 898-1 Grade 8.8	Listings and Approvals cULus Listed FM Approved



MTT2 Threaded Mechanical Tee FNPT/BSPT Dimensions

Figure 1

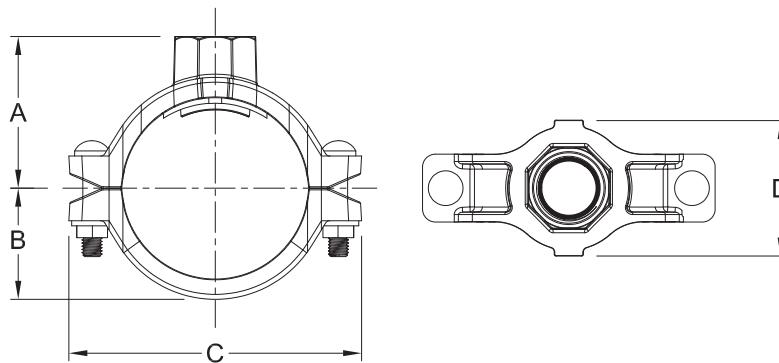


Table A

Nominal Size in (mm)	Run Pipe O.D. in (mm)	Outlet NPS (DN)	Branch Pipe O.D. in (mm)	Outlet Thread	Bolt Size x Length mm	Dimensions				Weight lb (kg)
						A in (mm)	B in (mm)	C in (mm)	D in (mm)	
2 (50)	2.375 (60.3)	1 (25)	1.315 (33.4)	NPT/BSPT	M10 x 60	1-7/8 (47)	1-5/8 (42)	4-3/4 (120)	3 (76)	1.85 (0.84)
		1-1/4 (32)	1.660 (42.2)	NPT/BSPT	M10 x 60	2-5/8 (52)	1-5/8 (42)	4-3/4 (120)	3-5/16 (84)	2.25 (1.02)
		1-1/2 (40)	1.900 (48.3)	NPT/BSPT	M10 x 60	2-13/16 (71)	1-5/8 (42)	4-3/4 (120)	3-5/16 (84)	2.47 (1.12)
2-1/2 (65)	2.875 (73.0)	1/2 (15)	0.840 (21.3)	NPT/BSPT	M12 x 65	2-7/16 (62)	1-7/8 (47)	5-5/8 (143)	3 (76)	2.2 (1)
		3/4 (20)	1.050 (26.7)	NPT/BSPT	M12 x 65	2-7/16 (62)	1-7/8 (47)	5-5/8 (143)	3 (76)	2.2 (1)
		1 (25)	1.315 (33.4)	NPT/BSPT	M12 x 65	2-7/16 (62)	1-7/8 (47)	5-5/8 (143)	3 (76)	2.32 (1.05)
		1-1/4 (32)	1.660 (42.2)	NPT/BSPT	M12 x 65	2-7/8 (74)	1-7/8 (47)	5-5/8 (143)	3-5/16 (84)	2.56 (1.16)
		1-1/2 (40)	1.900 (48.3)	NPT/BSPT	M12 x 65	2-1/4 (58)	1-7/8 (47)	5-5/8 (143)	3-9/16 (90)	2.93 (1.33)
76 mm	3.000 (76.1)	1/2 (15)	0.840 (21.3)	NPT/BSPT	M12 x 65	2-7/16 (62)	1-7/8 (48)	5-5/8 (143)	3 (76)	2.2 (1)
		3/4 (20)	1.050 (26.7)	NPT/BSPT	M12 x 65	2-7/16 (62)	1-7/8 (48)	5-5/8 (143)	3 (76)	2.2 (1)
		1 (25)	1.315 (33.4)	NPT/BSPT	M12 x 65	2-7/16 (62)	1-7/8 (48)	5-5/8 (143)	3 (76)	2.31 (1.05)
		1-1/4 (32)	1.660 (42.2)	NPT/BSPT	M12 x 65	2-7/8 (74)	1-7/8 (48)	5-5/8 (143)	3-5/16 (84)	2.55 (1.16)
		1-1/2 (40)	1.900 (48.3)	NPT/BSPT	M12 x 65	2-15/16 (75)	1-7/8 (48)	5-5/8 (143)	3-9/16 (90)	2.93 (1.33)
3 (80)	3.500 (88.9)	1/2 (15)	0.840 (21.3)	BSPT	M12 x 65	2-3/4 (70)	2-3/16 (55)	6-1/4 (158)	3 (76)	2.53 (1.15)
		3/4 (20)	1.050 (26.7)	BSPT	M12 x 65	2-3/4 (70)	2-3/16 (55)	6-1/4 (158)	3 (76)	2.53 (1.15)
		1 (25)	1.315 (33.4)	NPT/BSPT	M12 x 65	2-3/4 (70)	2-3/16 (55)	6-1/4 (158)	3 (76)	3 (1.36)
		1-1/4 (32)	1.660 (42.2)	NPT/BSPT	M12 x 65	3-3/16 (81)	2-3/16 (55)	6-1/4 (158)	3-5/16 (84)	3 (1.36)
		1-1/2 (40)	1.900 (48.3)	NPT/BSPT	M12 x 65	3-3/16 (81)	2-3/16 (55)	6-1/4 (158)	3-9/16 (90)	3.15 (1.43)
		2 (50)	2.375 (60.3)	NPT/BSPT	M12 x 65	3-3/16 (81)	2-3/16 (55)	6-1/4 (158)	4 (101)	3.42 (1.55)

Table A

Nominal Size in (mm)	Run Pipe O.D. in (mm)	Outlet NPS (DN)	Branch Pipe O.D. in (mm)	Outlet Thread	Bolt Size x Length in	Dimensions				Weight lb (kg)
						A in (mm)	B in (mm)	C in (mm)	D in (mm)	
4 (100)	4.500 (114.3)	1/2 (15)	0.840 (21.3)	BSPT	M12 x 65	3-1/8 (79)	2-9/16 (65)	7-1/8 (181)	3 (76)	2.86 (1.3)
		3/4 (20)	1.050 (26.7)	BSPT	M12 x 65	3-1/8 (79)	2-9/16 (65)	7-1/8 (181)	3 (76)	2.86 (1.3)
		1 (25)	1.315 (33.4)	NPT/BSPT	M12 x 65	3-1/4 (82)	2-9/16 (65)	7-1/8 (181)	3 (76)	2.87 (1.30)
		1-1/4 (32)	1.660 (42.2)	NPT/BSPT	M12 x 65	3-11/16 (94)	2-9/16 (65)	7-1/8 (181)	3-5/16 (84)	3.31 (1.50)
		1-1/2 (40)	1.900 (48.3)	NPT/BSPT	M12 x 65	3-11/16 (94)	2-9/16 (65)	7-1/8 (181)	3-9/16 (90)	3.37 (1.53)
		2 (50)	2.375 (60.3)	NPT/BSPT	M12 x 65	3-11/16 (94)	2-9/16 (65)	7-1/8 (181)	4 (101)	3.68 (1.67)
		2-1/2 (65)	2.875 (73)	NPT/BSPT	M12 x 65	3-11/16 (94)	2-9/16 (65)	7-1/8 (181)	4-5/8 (117)	4.48 (2.03)
		76 mm	3.000 (76.1)	NPT/BSPT	M12 x 65	3-7/8 (99)	2-9/16 (65)	7-1/8 (181)	4-5/8 (117)	4.4 (2)
165 mm	6.500 (165.1)	1 (25)	1.315 (33.4)	NPT/BSPT	M16 x 85	4-1/4 (109)	3-11/16 (94)	9-3/4 (248)	3 (76)	5.17 (2.35)
		1-1/4 (32)	1.660 (42.2)	NPT/BSPT	M16 x 85	4-3/4 (120)	3-11/16 (94)	9-3/4 (248)	3-5/16 (84)	5.41 (2.46)
		1-1/2 (40)	1.900 (48.3)	NPT/BSPT	M16 x 85	4-3/4 (120)	3-11/16 (94)	9-3/4 (248)	3-9/16 (90)	5.39 (2.45)
		2 (50)	2.375 (60.3)	NPT/BSPT	M16 x 85	4-3/4 (121)	3-11/16 (94)	9-3/4 (248)	4 (101)	5.63 (2.56)
		3 (80)	3.500 (88.9)	BSPT	M16 x 85	5-1/8 (130)	3-11/16 (94)	9-3/4 (248)	5-3/8 (136)	7.52 (3.42)
6 (150)	6.625 (168.3)	1 (25)	1.315 (33.4)	NPT/BSPT	M16 x 85	4-1/4 (109)	3-13/16 (97)	9-3/4 (248)	3 (76)	5.18 (2.35)
		1-1/4 (32)	1.660 (42.2)	NPT/BSPT	M16 x 85	4-3/4 (120)	3-13/16 (97)	9-3/4 (248)	3-5/16 (84)	5.42 (2.46)
		1-1/2 (40)	1.900 (48.3)	NPT/BSPT	M16 x 85	4-3/4 (120)	3-13/16 (97)	9-3/4 (248)	3-9/16 (90)	5.40 (2.45)
		2 (50)	2.375 (60.3)	NPT/BSPT	M16 x 85	4-3/4 (120)	3-13/16 (97)	9-3/4 (248)	4 (101)	5.65 (2.56)
		2-1/2 (65)	2.875 (73)	NPT/BSPT	M16 x 85	5 (128)	3-13/16 (97)	9-3/4 (248)	4-5/8 (117)	6.28 (2.85)
		76 mm	3.000 (76.1)	BSPT	M16 x 85	5 (128)	3-13/16 (97)	9-3/4 (248)	4-5/8 (117)	6.28 (2.85)

MTT2 Pipe Compatibility

Table B

Nominal Size in (mm)	Pipe	Approvals
2 (50)	10	cULus, FM
	40	
2-1/2 (65)	10	cULus, FM
	40	
76 mm	10	FM
	40	FM
	GB / T3091	cULus
3 (80)	10	cULus, FM
	40	
4 (100)	10	cULus, FM
	40	
165 mm	10	FM
	40	FM
	GB / T3091	cULus
6 (150)	10	cULus, FM
	40	

P/N 999997/0697