



**Model GXFA1 Flange Adaptor
ANSI125/150**

cULus Listed, FM Approved

GXFA1 Flange Adaptor Technical Data

<p>Operating Specifications Maximum Working Pressure: 300 psi (20.7 bar)</p> <p>Material Specifications Body: ASTM A536 Grade 65-45-12 Ductile Iron</p> <p>Design Specifications Groove: AWWA-C606 Flange: ASME B16.5</p>	<p>Available Finishes Housing: Red powder coating Hot dipped galvanized (ASTM A-153)</p> <p>Listings and Approvals cULus Listed FM Approved</p>
---	---



GXFA1 Flange Adaptor Dimensions

Figure 1

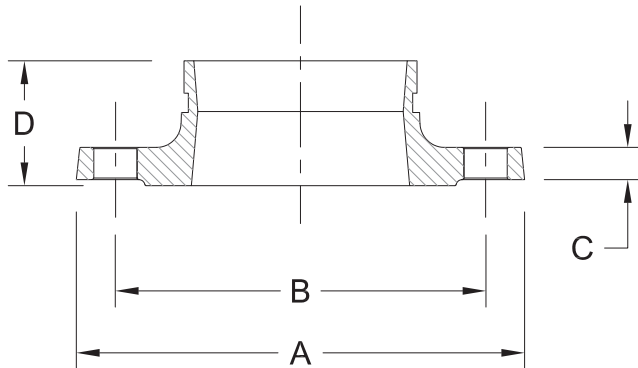


Table A

Nominal Size in (mm)	Pipe O.D. in (mm)	Bolts Size in	Number of Bolts	Dimensions				Weight lb (kg)
				A in (mm)	B in (mm)	C in (mm)	D in (mm)	
2 (50)	2.375 (60.3)	5/8	4	6-1/8 (155)	4-3/4 (121)	5/8 (16)	2-1/2 (65)	4.19 (1.90)
2-1/2 (65)	2.875 (73.0)	5/8	4	7-1/8 (180)	5-1/2 (140)	5/8 (16)	2-1/2 (65)	6.28 (2.85)
3 (80)	3.500 (88.9)	5/8	4	7-1/2 (190)	6 (153)	3/4 (18)	2-1/2 (65)	6.06 (2.75)
4 (100)	4.500 (114.3)	5/8	8	9-1/16 (230)	7-1/2 (191)	7/8 (22)	2-3/4 (70)	9.48 (4.30)
6 (150)	6.625 (168.3)	3/4	8	11 (280)	8-1/2 (241)	7/8 (22)	2-3/4 (70)	15.44 (7)
8 (200)	8.625 (219.1)	3/4	8	13-11/16 (345)	11-3/4 (299)	1 (25)	3-1/8 (80)	26.46 (12)

P/N 9999970694