



Model EOR1 End Elbow 90° FNPT/BSPT

cULus Listed, FM Approved
300 psi (20.7 bar)

EOR1 End Elbow 90° Technical Data

Operating Specifications
Maximum Working Pressure:
300 psi (20.7 bar)

Material Specifications
Body: ASTM A536 Grade 65-45-12 Ductile Iron

Design Specifications*
NPT Thread: ASME B1.20.1
BSPT Threads: ISO 7-1
Groove: AWWA-C606

Available Finishes
Housing:
Red powder-coating
Hot dipped galvanized (ASTM A-153)

Listings and Approvals
cULus Listed
FM Approved



*This product is available with NPT or BSPT threads.

EOR1 End Elbow 90° Dimensions

Figure 1

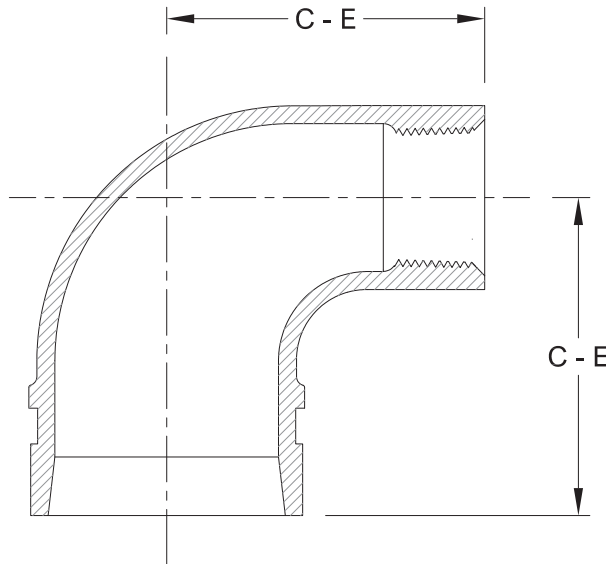


Table A

Nominal Groove Size in (mm)	Grooved Pipe O.D. in (mm)	Nominal Pipe Thread Size in (mm)	Threaded Pipe O.D. in (mm)	Dimension C - E in (mm)	Weight lb (kg)
1-1/4 (32)	1.660 (42.2)	1/2 (15)	7/8 (21.3)	2-3/8 (61)	0.77 (0.35)
1-1/4 (32)	1.660 (42.2)	3/4 (20)	1-1/16 (26.7)	2-3/8 (61)	0.88 (0.40)
1-1/4 (32)	1.660 (42.2)	1 (25)	1-5/16 (33.4)	2-3/8 (61)	0.88 (0.40)
1-1/2 (40)	1.900 (48.3)	1/2 (15)	7/8 (21.3)	2-1/2 (64)	0.88 (0.40)
1-1/2 (40)	1.900 (48.3)	3/4 (20)	1-1/16 (26.7)	2-1/2 (64)	0.93 (0.42)
1-1/2 (40)	1.900 (48.3)	1 (25)	1-5/16 (33.4)	2-1/2 (64)	1.06 (0.48)
2 (50)	2.375 (60.3)	1/2 (15)	7/8 (21.3)	2-3/4 (70)	0.84 (0.38)
2 (50)	2.375 (60.3)	3/4 (20)	1-1/16 (26.7)	2-3/4 (70)	0.90 (0.41)
2 (50)	2.375 (60.3)	1 (25)	1-5/16 (33.4)	2-3/4 (70)	1.32 (0.60)

P/N 9999970684