

# Reliable®

## Model REL300W & REL300WC Wafer Body Butterfly Valve

cULus Listed, FM Approved  
300 psi (20.7 bar)

### Product Description

The Reliable butterfly valves are cULus Listed and FM Approved for fire protection systems. Reliable REL300W and REL300WC butterfly valves have ASME B16.34 / MSS SP-44 wafer lug end connections. The Model REL300W butterfly valve is supervised in the open position and the Model REL300WC butterfly valve is supervised in the closed position. They are available in 2-1/2" (65 mm), 3" (80 mm), 4" (100 mm), 5" (125 mm), 6" (150 mm), and 8" (200 mm) nominal sizes. The valves are listed for 300 psi (20.7 bar) working pressure. The maximum working temperature for the valves is 212°F (100°C). These valves are available with two options for the wire harness: a standard 9" (0.23 m) set of wire leads, and a 39" (1 m) extended-length set of wire leads.

### Maintenance

The owner is responsible for maintaining the fire protection system in proper operating condition. Any system maintenance or testing that involves placing a control valve out of service will eliminate the fire protection that is provided by the fire protection system.

The Reliable Supervised Butterfly valves and associated equipment shall periodically be given a thorough inspection and test. NFPA 25, "Inspection, Testing and Maintenance of Water Based Fire Protection Systems," provides minimum maintenance requirements.

### Ordering Information

Specify the following when ordering:

#### Supervision

- Supervised Normally Open  
(Yellow Indicator, Red Actuator)
- Supervised Normally Closed  
(Red Indicator, Yellow Actuator)

#### Valve Size

- 2-1/2" (65mm)
- 3" (80 mm)
- 4" (100 mm)
- 5" (125 mm)
- 6" (150 mm)
- 8" (200 mm)

#### Wire Harness Length

- Standard: 9" (0.23 m)
- Optional: 39" (1 m)

### Guarantee

For Reliable Automatic Sprinkler Co., Inc. guarantee, terms, and conditions, visit [www.reliablesprinkler.com](http://www.reliablesprinkler.com).



Model REL300W Butterfly Valve - Supervised Normally Open



Model REL300WC Butterfly Valve - Supervised Normally Closed

## Reliable Model REL300W and REL300WC Butterfly Valve

### Technical Specifications

**Pressure Rating:**  
300 psi (20.7 bar)

### Material Specifications

**Upper Stem:** Stainless Steel ASTM A 276 Type 420  
**Upper Bearing:** PTFE Bronze Sintered on Steel  
**O-Ring:** EPDM  
**Body:** Ductile Iron ASTM A 395, Epoxy Coated  
**Disc:** Ductile Iron ASTM A 395 with EPDM Encapsulation  
**Lower Bearing:** PTFE Bronze Sintered on Steel  
**Lower Stem:** Stainless Steel ASTM A 276 Type 420  
**Dust Plug:** PVC  
**Name Plate:** Aluminum  
**Gear Operator:** Cast Iron and Steel  
**Indicator Flag:** Steel  
**Handwheel:** Cast Iron  
**Cable Gland:** Nickel plated brass  
**Plug:** Carbon Steel (Zinc-plated)

### Specifications

Valve Outlet: ASME B16.34/MSS SP-44

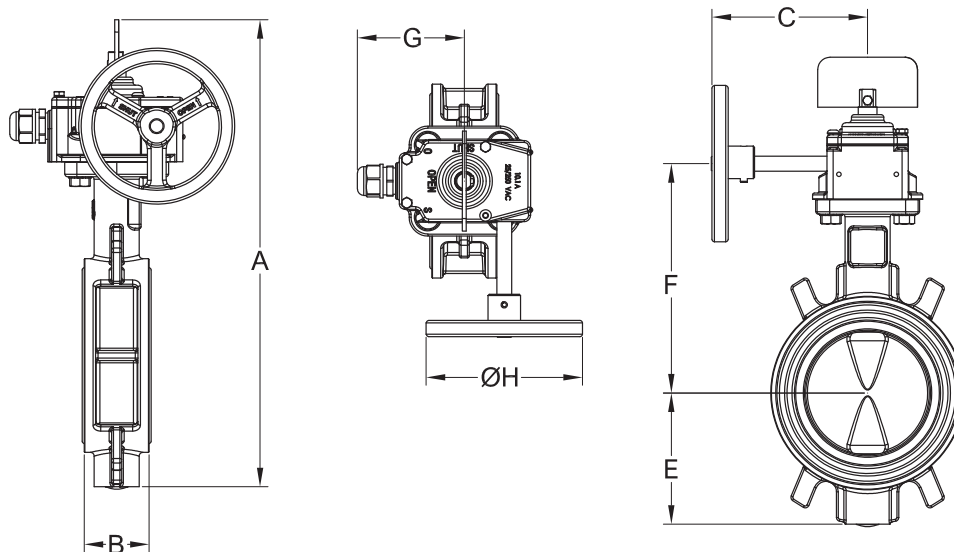
### Listings and Approvals

cULus Listed  
 FM Approved



## Reliable Model REL300W and REL300WC Butterfly Valve Dimensions

Figure 1



## Model REL300W and REL300WC Dimensions - in. (mm)

Table A

Nominal Size	A	B	C	E	F	G	H	Weight lb (kg)
2-1/2" (65)	12-3/8 (314)	1-7/8 (46)	4-15/16 (125)	2-15/16 (75)	6-1/16 (154)	3-3/8 (85)	4-1/4 (108)	10.8 (4.9)
3" (80)	13-1/4 (337)	1-7/8 (46)	4-15/16 (125)	3-1/2 (90)	6-7/16 (163)	3-3/8 (85)	4-1/4 (108)	12.1 (5.5)
4" (100)	14-5/8 (373)	2-1/16 (52)	4-15/16 (125)	4-1/8 (105)	7-1/4 (183)	3-3/8 (85)	4-15/16 (125)	15.6 (7.1)
5" (125)	16-1/8 (410)	2-1/4 (56)	6-5/8 (168)	4-13/16 (122)	8-1/8 (207)	3-5/8 (92)	5-15/16 (150)	25.4 (11.5)
6" (150)	17-1/8 (435)	2-1/4 (56)	6-5/8 (168)	5-5/16 (135)	8-5/8 (219)	3-5/8 (92)	5-15/16 (150)	28.4 (12.9)
8" (200)	19-7/16 (494)	2-3/8 (60)	6-5/7 (168)	6-1/2 (165)	9-3/4 (248)	3-5/8 (92)	5-15/16 (150)	42.1 (19.1)

