

Reliable®

Model L399 OS&Y Gate Valves

cULus Listed, FM Approved

Product Description

The Reliable Model L399 OS&Y Gate valves are UL Listed and FM Approved indicating control valves for fire protection systems. Reliable OS&Y Valves valves have AWWA C 606 grooved end connections or ANSI B 16.1 Class 125 flanged end connections. They are available in 2" (50mm), 2-1/2" (65mm), 3" (80mm), 4" (100mm), 6" (150mm), 8" (200mm), 10" (250mm), and 12" (300mm) nominal sizes. The valves are listed for 300 psi (20.7 bar) working pressure. Verify that appropriate end connections and fittings are used for the system pressure prior to installation.

Maintenance

The owner is responsible for maintaining the fire protection system in proper operating condition. Any system maintenance or testing that involves placing a control valve out of service will eliminate the fire protection that is provided by the fire protection system.

The Reliable OS&Y Gate valves and associated equipment shall periodically be given a thorough inspection and test. NFPA 25, "Inspection, Testing and Maintenance of Water Based Fire Protection Systems," provides minimum maintenance requirements.

Ordering Information

Specify the following when ordering:

Reliable Model L399 OS&Y Gate Valve End Connection

- Flange x Flange
- Flange x Groove
- Groove x Groove

Valve Size

- 2" (50mm)
- 2-1/2" (65mm)
- 3" (80mm)
- 4" (100mm)
- 6" (150mm)
- 8" (200mm)
- 10" (250mm)
- 12" (300mm)



Flange x Flange



Flange x Groove



Groove x Groove

Guarantee

For Reliable Automatic Sprinkler Co., Inc. guarantee, terms, and conditions, visit www.reliablesprinkler.com.

End Configuration Options

Table A

Model	End Connections	Sizes in (mm)	Approvals
REL-OSY-L399F	Flange x Flange	2" (50), 2-1/2" (65), 3" (80), 4" (100), 6" (150), 8" (200), 10" (250), 12" (300)	cULus Listed, FM Approved
REL-OSY-L399FG	Flange x Groove		
REL-OSY-L399GG	Groove x Groove		

OS&Y Gate Valves

Technical Specifications

Pressure Rating:
300 psi (20.7 bar)

Material Specifications

Body: Ductile Iron A536 65-45-12
Wedge: Ductile Iron EPDM Coated
Wedge Nut: Stainless Steel AISI 304
Stem: Stainless Steel AISI 304
Bonnet: Ductile Iron A536 65-45-12
Gasket: EPDM Commercial
Packing: Graphite
Stem Nut: Bronze ASTM B62
Handwheel: Ductile Iron A536 65-45-12

End Connections

Groove x Groove (REL-OSY-L399GG)
 Flange x Groove (REL-OSY-L399FG)
 Flange x Flange (REL-OSY-L399F)

Specifications

Groove: AWWA C 606
 Flange: ANSI B 16.1 Class 125

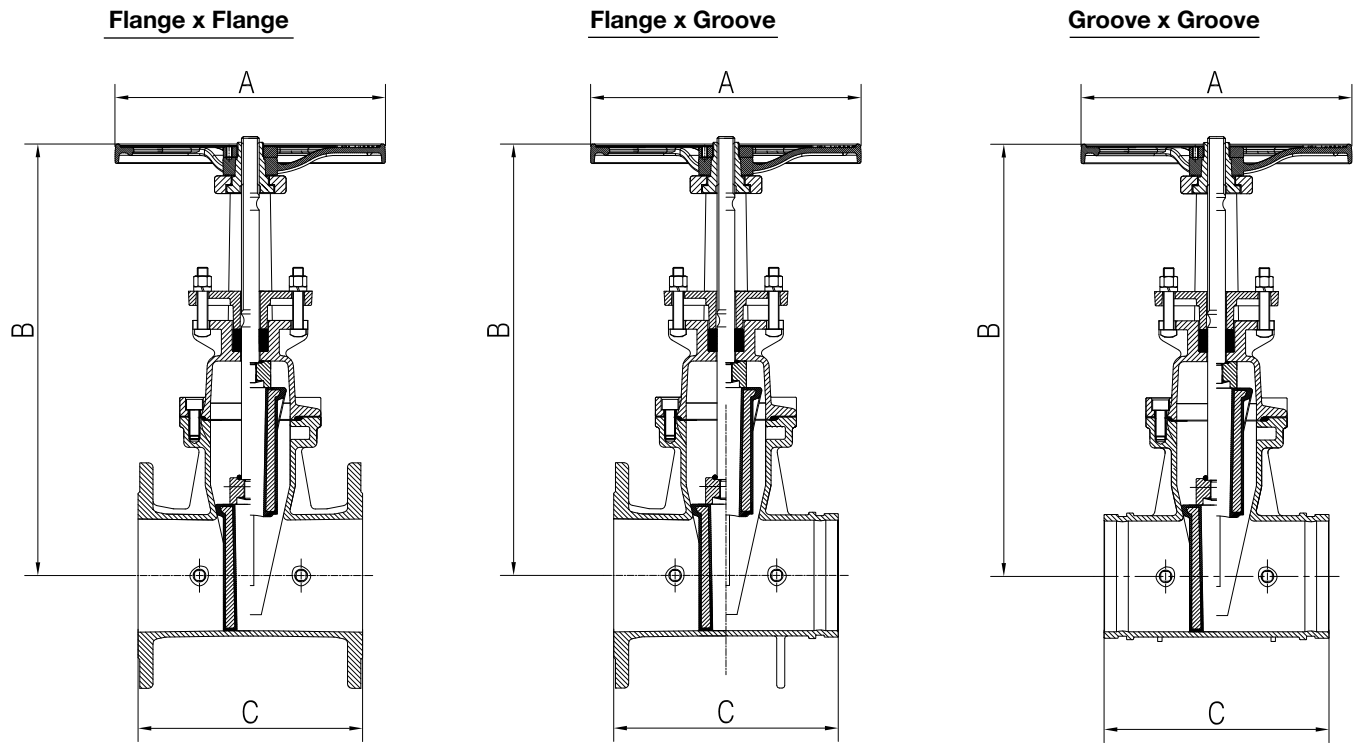
Listings and Approvals

cULus Listed
 FM Approved



Reliable OS&Y Gate Valve Dimensions

Figure 1



Reliable OS&Y Gate Valve Dimensions - in. (mm)

Table B

Valve Size	A	B	C
2" (50)	7-3/16" (183)	16-3/16" (411)	7" (178)
2-1/2" (65)	7-3/16" (183)	16-3/16" (411)	7-1/2" (191)
3" (80)	9-15/16" (253)	18-3/16" (462)	8" (203)
4" (100)	9-15/16" (253)	20-1/4" (514)	9" (229)
6" (150)	12-1/16" (306)	27-15/16" (709)	10-1/2" (267)
8" (200)	14" (355)	36-1/3" (922)	11-1/2" (292)
10" (250)	17-1/2" (445)	43-15/16" (1116)	13" (330)
12" (300)	17-1/2" (445)	51-3/16" (1300)	14" (356)

9999970583