

Reliable®

Model S1 Retard Chamber

cULus Listed and FM Approved

Features

- Stainless steel construction
- Rated to 300 psi (20.7 bar) working pressure

Product Description

The Reliable Model S1 Retard Chamber is used with Reliable Model E and E3 alarm valves on wet system installations that are subject to pressure variations which may result in false alarms. When properly installed on the alarm line, the retard chamber acts as a reservoir that must fill before the alarm pressure switch and/or water motor alarm is activated. For short duration water flow into the system, such as that due to a surge in the supply line, the retard chamber serves to prevent false alarms. When flow of water has stopped, the restricted orifice fitting on the alarm valve trim allows the retard chamber to drain. Drain time for a full retard chamber is approximately three minutes.

Installation

The Model S1 Retard Chamber shall be installed in accordance with the requirements of the NFPA 13 and any applicable local codes or standards. The Model S1 Retard Chamber must be installed vertically with inlet at the bottom and utilize the automatic drain orifice fitting provided with the alarm valve trim. For retrofit installations, the 3/4" MNPT automatic drain orifice may be ordered separately (P/N 98580001).

Additional installation information can be found on Reliable Automatic Sprinkler Company Alarm Valve bulletins available at www.reliablesprinkler.com.

Maintenance

The owner is responsible for maintaining all parts of the fire protection system in proper operating condition. Any system maintenance or testing that involves placing a system component out of service may eliminate the fire protection that is provided by the fire protection system.

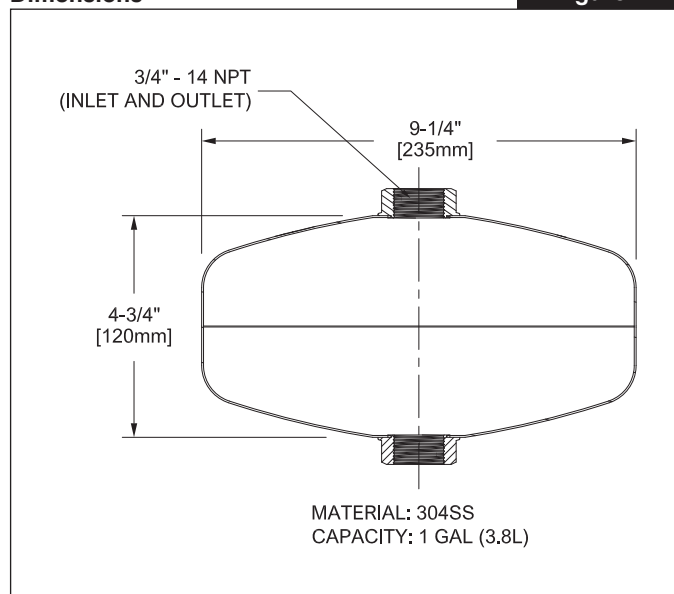
The Reliable Model S1 Retard Chamber shall periodically be given a thorough inspection and test. NFPA 25, "Inspection, Testing, and Maintenance of Water Based Fire Protection Systems," provides minimum maintenance requirements. System components not meeting the minimum requirements of NFPA 25 shall be repaired or replaced as required.



Model S1 Retard Chamber

Dimensions

Figure 1



Guarantee

For the Reliable Automatic Sprinkler Co., Inc. guarantee, terms, and conditions, visit www.reliablesprinkler.com.

Ordering Information

Specify:

Model S1 Retard Chamber P/N 6303000100

Drain Orifice Fitting P/N 98580001 (order separately)