

Reliable®

Model G Sidewall Model G/F1 Recessed Sidewall Sprinklers

A Complete Line of Sidewall Sprinklers

1. Model G Vertical Sidewall-Upright/Pendent
2. Model G Horizontal Sidewall-HSW1
3. Model G/F1/HSW1 Recessed Horizontal Sidewall-HSW1
4. Variety of finishes.
5. Multiple orifice sizes.

Product Description

All Reliable Model G Automatic Sidewall Sprinklers utilize the center strut in compression principle of construction. The fusible alloy, retained in the cylinder of a small solder capsule by a stainless steel ball, acts as the trigger of the sprinkler. When the fusible alloy melts, the sprinkler's operating parts spring free from the sprinkler, clearing the water way and allowing the sprinkler to distribute the discharging water.

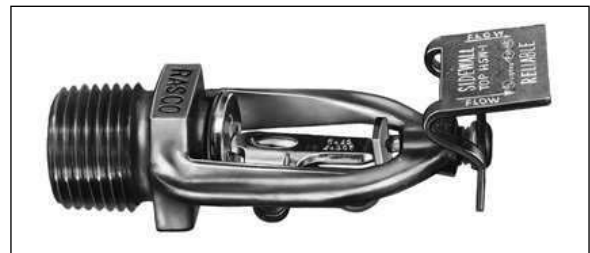


Model G
Vertical Upright

Sidewall Sprinkler Types:

Model G Vertical Sidewall Sprinkler

The Model G Vertical Sidewall Sprinkler is designed for use in light hazard situations where standard sprinklers are deemed impractical because of decorative or structural conditions. It discharges approximately 15% of the water on the wall behind it with the remaining 85% discharged in front of the sprinkler. This sprinkler may be installed in either the Upright or the Pendent position.



Model G Horizontal-HSW1

Model G Horizontal Sidewall Sprinkler- HSW1 Deflector

This deflector configuration is designed and listed for use in either light or ordinary hazard occupancies. The use of the Model G Horizontal Sidewall Sprinkler in ordinary hazard occupancies will provide installation simplicities and economies in many circumstances.

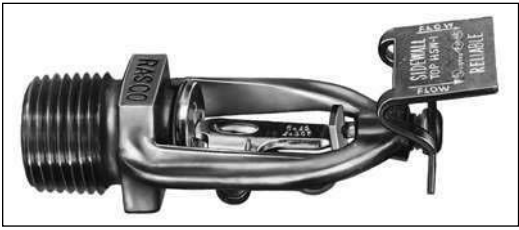
Model G/F1/HSW1 Recessed Horizontal Sidewall Sprinkler-HSW1 Deflector

The combination of the Model F1 Recessed Escutcheon and the Model G Horizontal Sidewall Sprinkler-HSW1 Deflector provides a very attractive recessed sprinkler for use in light hazard occupancies.



Model G/F1/HSW1
Recessed
Horizontal-HSW1

MODEL G HORIZONTAL SIDEWALL SPRINKLER — HSW1



Installation Wrench:

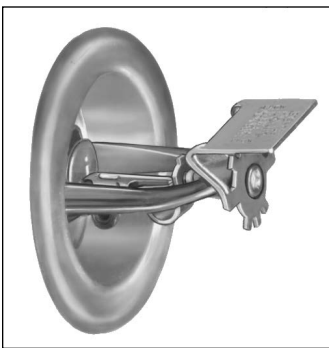
Model W2 Sprinkler Wrench

Ceiling to deflector distance:

4 to 6 Inches (102mm to 152mm).

Technical Data

Nominal Orifice	Thread Size	K Factor		Sprinkler Length	Approval Organizations		Sprinkler Ident. Number (SIN)
		US	Metric		Light Hazard	Ordinary Hazard	
1/2" (15mm)	1/2" (R1/2)	5.62	81.0	3 ⁵ / ₁₆ " (84mm)	1, 2, 3, 4, 5, 6	1, 3, 5, 6	R1235
7/16" (11mm)	1/2" (R1/2)	4.24	61.0	3 ⁵ / ₁₆ " (84mm)	1, 3, 5, 6	--	R1233
3/8" (10mm)	1/2" (R3/4)	2.82	40.6	3 ⁵ / ₁₆ " (84mm)	1, 3, 5, 6	--	R1231
17/32" (20mm)	3/4" (R3/4)	8.20	118.2	3 ⁵ / ₁₆ " (84mm)	1, 3, 5, 6	--	R1237
17/32" (20mm)	1/2" (R3/4)	7.96	114.7	3 ⁵ / ₁₆ " (84mm)	1, 3, 5, 6	--	R1236



Model G/F1/HSW1 Recessed Horizontal Sidewall Sprinkler — HSW1

Rating: 135°F (57°C)

Max. Ambient Temp.: 100°F (38°C)

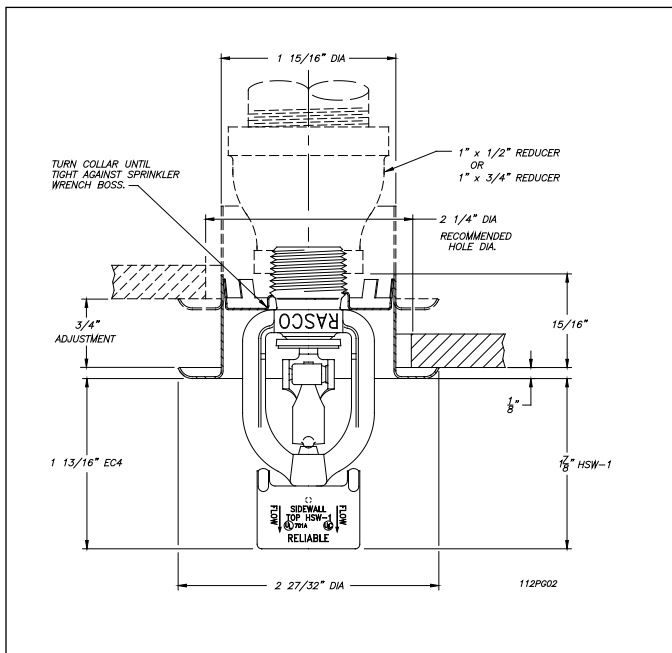
Underwriters Laboratories Inc.

Length: 3⁵/₁₆" (84mm)

Approval Type: Light Hazard Occupancy

Technical Data

Nominal Orifice	Thread Size	K Factor		Sprinkler Ident. Number (SIN)
		US	Metric	
1/2" (15mm)	1/2" (R1/2)	5.62	81.0	R1235
7/16" (11mm)	1/2" (R3/4)	4.24	61.0	R1233



Approvals:

Underwriters Laboratories Inc.

NYC BS&A No 587-75-SA

Underwriters' Laboratories of Canada

Installation Wrench:

Model GFR1 Sprinkler Wrench.

Color Identification:

Black Paint (Bronze Finish Only).

Ceiling to Deflector Distance:

4 to 6 inches (102mm to 152mm).

MODEL G VERTICAL SIDEWALL SPRINKLER



Installation Wrench:

Model W2 Sprinkler Wrench

Installation Position:

Upright or Pendent

Approval Type:

Light Hazard Occupancy

Ceiling to Deflector Distance:

4 to 6 inches (102mm to 152mm).

Wall to Deflector Distance:

4 to 6 inches (102mm to 150 mm).

Technical Data

Nominal Orifice	Thread Size	K Factor		Sprinkler Length	Approval Organizations	Sprinkler Ident. Number (SIN)
		US	Metric			
1/2" (15mm)	1/2" (R1/2)	5.62	81.0	27/8" (73mm)	2, 4, 7	R1285

Temperature ratings and finishes for Model G Horizontal Sidewall— HSW1 Deflector and Vertical Sidewall Sprinklers

Sprinkler		Maximum Ambient Temperature		Frame Color*
°F	°C	°F	°C	
135	57	100	38	Black
165	74	100	38	Uncolored
212	100	150	66	White
286	141	225	107	Blue

* Frame color does not apply to plated or painted sprinklers.

Finishes ⁽¹⁾

Standard Finishes	
Sprinkler	Escutcheon
Bronze Chrome Plated	Bronze Chrome Plated
Special application Finishes	
Sprinkler	Escutcheon
Bright Brass ⁽²⁾ Black Plated ⁽²⁾ Satin Chrome Lead Plated - 165°F (74°C), 212°F (100°C) and 286°F (141°C) Ratings Wax Coated - 165°F (74°C) Clear Wax, 212°F (100°C) Brown Wax ⁽³⁾ Wax Over Lead Plated - 165°F (74°C) Clear Wax, 212°F (100°C) Brown Wax ⁽³⁾	Bright Brass Black Plated Satin Chrome

⁽¹⁾ Other colors and finishes are available. Consult factory for details.

⁽²⁾ Only frame, deflector and cap are plated.

⁽³⁾ 212°F (100°C) brown wax may be used on 286°F (141°C) sprinklers when maximum ceiling temperatures do not exceed 150°F (66°C). UL Listed only.

Approval Organizations:

1. Underwriters Laboratories, Inc.
2. Factory Mutual Research Corp.
3. Underwriters' Laboratories of Canada
4. LPCB
5. NYC BS&A No. 587-75-SA
6. NYC MEA 258-93-E
7. CE Listed (1438-CP-0055)

Ordering Information:

Specify:

1. Model
G or G/F1
2. Recessed
(Only G/F1)
3. Deflector
 - Vertical Sidewall Deflector
 - Horizontal Sidewall - HSW1 Deflector
4. Nominal Orifice
5. Inlet Thread
6. Temperature Rating
7. Sprinkler Finish
8. Escutcheon Finish

NOTE: Sprinkler and escutcheon are packaged separately.

The equipment presented in this bulletin is to be installed in accordance with the latest published Standards of the National Fire Protection Association, Factory Mutual Research Corporation, or other similar organizations and also with the provisions of governmental codes or ordinances whenever applicable. Products manufactured and distributed by Reliable have been protecting life and property for over 90 years.

Manufactured by

Reliable®

Reliable Automatic Sprinkler Co., Inc.

(800) 431-1588

(800) 848-6051

(914) 829-2042

www.reliablesprinkler.com

Sales Offices

Sales Fax

Corporate Offices

Internet Address



Recycled Paper

Revision lines indicate updated or new data.

EG. Printed in U.S.A 04/21

P/N 9999970007