

# Reliable®

## Model G6-56 Concealed Quick Response Standard Spray Sidewall Sprinkler

cULus, LPCB, CE, UKCA

### Features

- Nominal 5.6 (80 metric) K-Factor
- 175 psi (12,0 bar) pressure rating
- Convenient push-on/pull-off flat cover plate with 1/4" (6 mm) adjustment
- Cover plate is available in a wide variety of colors and finishes
- Shipped complete with factory installed protective cap

### Product Description

The Reliable Model G6-56 is a concealed quick response standard spray sidewall sprinkler that utilizes a push-on/pull-off flat cover plate assembly. The sprinkler can be used in any occupancy where sidewall sprinklers are permitted, and is especially well-suited for use in dormitories, hotels, health care facilities, and offices where aesthetically pleasing sidewall sprinkler protection is needed.

The flat cover plate is attached to the skirt using 135°F (57°C) ordinary temperature classification solder. When the temperature rises, the solder holding the cover plate melts, allowing the release of the plate and exposing the concealed fire sprinkler to the rising temperature.

The Model G5-56 utilizes a quick response solder link that enables the sprinkler to activate five to six times quicker than a standard response sprinkler of the same temperature rating. The sprinkler is listed for a maximum service pressure of 175 psi (12,0 bar), and is shipped with a factory installed protective cap.

### Installation

Care must be exercised that orifice size, temperature rating, and sprinkler spacing are in accordance with this bulletin and the latest published standards of the National Fire Protection Association, and approved by the Authority Having Jurisdiction.

Apply a PTFE-based thread sealant or thread sealant tape to the sprinkler threads. Using the Model G6 Wrench (see figure 2), install the sprinkler into the fitting and verify the sprinkler is properly oriented.



Model G6-56 Concealed Sidewall Sprinkler

It is not necessary to remove the factory installed plastic protective cap since it is sized to fit inside the Model G6 wrench. The G6 wrench must be properly orientated on the sprinkler using the key way in the wrench for proper fit. The G6 wrench is provided with a flat surface for use with a bubble level and TOP marking to allow proper orientation of the horizontal sidewall deflector. Final leveling can be performed after a leak proof joint is obtained with a torque between 8 and 18 ft-lbs (11 to 24 N.m). Leave the protective cap in place to protect the sprinkler while the wall is finished.

The protective cap must be removed and the Model G6 listed cover plate installed prior to the sprinkler system being placed in service.

Concealed cover plate/cup assemblies are listed only for use with specific sprinklers. The use of any other cover plate with the Model G6-56 Concealed Horizontal Sidewall Sprinkler, the use of the G6 cover plate assembly on any sprinkler with which is not specifically listed, or alteration of the sprinkler or cover plate will void all guarantees, warranties, listings, and approvals.

**Note:** Do NOT install the Model G6-56 sprinkler in locations where there is positive pressure in the cavity behind the sprinkler.

### Model G6-56 Sprinkler Specifications

Table A

| Sprinkler Model | Orientation                    | Listing or Approval   | Max. Working Pressure psi (bar) | Sprinkler Identification Number (SIN) |
|-----------------|--------------------------------|-----------------------|---------------------------------|---------------------------------------|
| G6-56           | Horizontal Sidewall, Concealed | cULus, LPCB, CE, UKCA | 175 (12.0)                      | RA5035                                |

**Technical Specifications**

**Style:** Concealed Horizontal Sidewall  
**Threads:** 1/2" NPT (R1/2)  
**Nominal K-Factor:** 5.6 (80)  
**Max. Working Pressure:** 175 psi (12 bar)

**Material Specifications**

**Operating Element:** Nickel Alloy  
**Frame Arms:** Brass  
**Sprinkler Body:** Bronze  
**Cap:** Bronze  
**Sealing Washer:** Nickel Alloy  
**Load Screw:** Stainless Steel  
**Push Spring:** Stainless Steel  
**Deflector:** Bronze  
**Yoke:** Bronze  
**Lever Arms:** Bronze

**Sprinkler Finishes**

Bronze (only)

**Sensitivity**

Quick Response

**Cover Plate**

Model G6

**Cover Plate Finishes**

(See Table B)

**Temperature Ratings**

165°F (74°C) (Sprinkler)  
 135°F (57°C) (Cover Plate)

**Sprinkler Wrench**

G6 Wrench

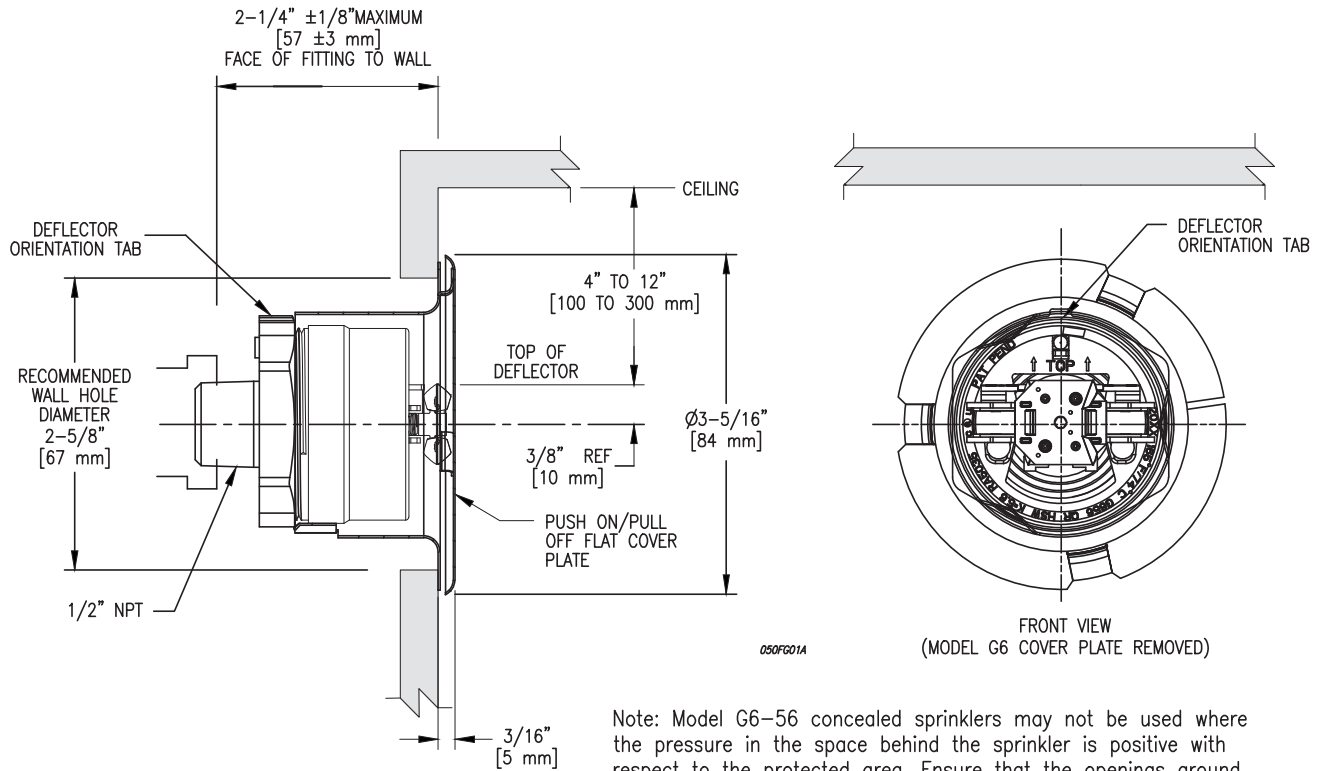
**Listings and Approvals**

cULus Listed  
 LPCB Approved (034g)  
 CE Listed (2831-CPR-S2062)  
 UKCA: 0832-UKCA-CPR-S5045



**Model G6-56 Concealed Sidewall Sprinkler Components and Dimensions**

**Figure 1**



**Cover Plate Finishes<sup>(1)</sup>****Table B**

| Standard Finishes     | Special Application Finishes  |
|-----------------------|---|
| White Paint<br>Chrome | Off-White Paint<br>Black Paint<br>Custom Color Paint – Specify <sup>(2)</sup><br>Raw Brass (Lacquered)<br>Bright Brass<br>Finished Bronze<br>Satin Chrome<br>Custom Printed |

**Notes:**

1. Paint or any other coating applied over the factory finish will void all approvals and warranties.
2. Custom color paint is semi-gloss unless specified otherwise.

**Maintenance**

Model G6-56 Concealed Sprinklers should be inspected and maintained in accordance with NFPA 25. Do not clean sprinklers with soap and water, ammonia or any other cleaning fluids.

Remove dust by using a soft brush or gentle vacuuming. Replace any sprinkler or cover plate assembly, which has been painted (other than factory applied) or damaged in any way. A stock of spare sprinklers should be maintained to allow quick replacement of damaged or operated sprinklers. Prior to installation, sprinklers should be maintained in their original cartons and packaging until used to minimize the potential for damage to sprinklers that would cause improper operation or non-operation.

**Guarantee**

For the Reliable Automatic Sprinkler Co., Inc. guarantee, terms, and conditions, visit [www.reliablesprinkler.com](http://www.reliablesprinkler.com).

**Ordering Information****Specify:**

- Model G6-56 Concealed Quick Response Sidewall Sprinkler
- Cover Plate Finish (See Table B)

**Model G6 Wrench****Figure 2**