

Reliable®

Model G6-80 K8.0 (115 metric) Concealed Quick Response Extended Coverage Light Hazard Horizontal Sidewall Sprinkler (SIN RA4762)

**Coverage to 18 ft. x 22 ft.
(5.5m x 6.7m), 16 ft. x 24 ft.
(4.9m x 7.3m).**

Features:

1. Flat cover plate.
2. K-factor of 8.0 (115 metric).
3. Listed as quick-response, extended coverage for Light Hazard occupancies.
4. Sprinkler assembly and cover plate packaged separately.
5. ¼" (6.3mm) cover plate adjustment.
6. Model G6 Cover plate available in a wide variety of colors and finishes.

Approval Organizations

1. Listed for use in Light Hazard occupancies by Underwriters Laboratories Inc. and UL certified for Canada (cULus).

UL Listing Category

Sprinklers, Automatic and Open
Quick Response Extended Coverage Sprinklers

Product Description

The Reliable Model G6-80 Concealed Quick Response Extended Coverage Horizontal Sidewall Sprinkler is an attractive, concealed sprinkler assembly that utilizes a push-on/pull-off cover plate assembly. The sprinkler assembly is shipped with a protective cap.

The flat cover plate is attached to the skirt using 135°F (57°C) ordinary temperature classification solder. The sprinkler is installed into the sprinkler fitting using the Model G6 Sprinkler Wrench.

When the ambient temperature rises, the solder holding the cover plate melts, allowing the release of this part and thus exposing the sprinkler inside to the rising ambient temperature.

The Model G6-80 utilizes a Quick Response soldered link. Quick-response sprinklers are designed to apply water to a fire sooner than standard-response sprinklers of the same temperature rating.

The Model G6-80 sprinkler is listed for a maximum service pressure of 175 psi (12,0 bar).



Application and Installation

The Model G6-80 sprinkler is intended for installation in light hazard occupancies in accordance with NFPA 13. This sprinkler is especially well-suited for use in non-corrosive environments in student dormitories, hotels, hospitals and care facilities.

Model G6-80 Concealed Horizontal Sidewall sprinklers utilize a sprinkler assembly with spring loaded deployable deflector feature. The assembly is completed by the installation of the attractive, 135°F (57°C) push-on/pull-off cover plate assembly, which provides ¼" (6.3mm) of adjustment.

Apply a Teflon* - based thread sealant to the sprinkler threads. After a 2 5/8" (66.7mm) diameter hole is cut in the wall, the sprinkler is installed and properly oriented with the Model G6 Wrench, as follows:

Do not remove factory installed plastic protective cap since it is sized to fit inside the G6 wrench. Note that the sprinkler can only mate when the sprinkler's deflector orientation tab (Fig. 1) is aligned with wrench's key-way. The G6 Wrench has a bubble level pad and TOP to assist the installer in properly orienting the sprinkler. Final leveling can be done after leak proof joint is obtained with a minimum to maximum torque of 14 to 20 ft-lbs (19 to 27 N·m). Do not attempt to compensate for improper rough in dimensions of fitting by over tightening the sprinkler assembly, but readjust the sprinkler fitting instead. Leave the protective cap on to assure sprinkler protection while the wall is plastered, wall-papered or painted.

Concealed cover plate/cup assemblies are listed only for use with specific sprinklers. The use of any other concealed cover plate/cup assembly with the Model G6-80 Horizontal Sidewall Sprinkler or the use of this dedicated concealed cover plate assembly on any sprinkler with which it is not specifically listed will void all guarantees, warranties, listings and approvals.

* DuPont Registered Trademark

Technical Data:

Nominal K-factor		Thread Size	Temperature Rating		Maximum Ambient Temperature	Maximum Water Working Pressure	Sprinkler Identification Number (SIN)
US	Metric		Sprinkler	Cover			
8.0	115	¾" NPT or ISO 7-R¾	165°F (74°C)	135°F (57°C)	100°F (38°C)	175 PSI (12 bar)	RA4762

Coverage Area							
Max. Installed Coverage Area Width x Length		Deflector to Ceiling Dimension		Min. Required Flow Rate		Min. Required Pressure	
ft. x ft.	m x m	inches	mm	gpm	L/min	psi	bar
14 x 22	4.3 x 6.7	4 - 6	102 - 152	31	117.3	15.0	1,03
14 x 22	4.3 x 6.7	6 - 12	152 - 305	35	132.5	19.1	1,3
14 x 24	4.3 x 7.3	4 - 6	102 - 152	35	132.5	19.1	1,3
14 x 24	4.3 x 7.3	6 - 12	152 - 305	39	147.6	23.8	1,6
16 x 16	4.9 x 4.9	4 - 12	102 - 305	26	98.4	10.6	0,7
16 x 18	4.9 x 5.5	4 - 12	102 - 305	29	109.8	13.1	0,9
16 x 20	4.9 x 6.1	4 - 12	102 - 305	32	121.1	16.0	1,1
16 x 22	4.9 x 6.7	4 - 12	102 - 305	36	136.2	20.2	1,4
16 x 24	4.9 x 7.3	4 - 12	102 - 305	39	147.6	23.8	1,6
18 x 18	5.5 x 5.5	4 - 12	102 - 305	33	124.9	17.0	1,2
18 x 20	5.5 x 6.1	4 - 12	102 - 305	36	136.2	20.2	1,4
18 x 22	5.5 x 6.7	4 - 12	102 - 305	40	151.4	25.0	1,7

Approval Type

Quick Response Extended Coverage - Light Hazard Horizontal Sidewall.

Minimum spacing between sprinklers - 8 feet (2.4m).

Install below smooth, flat, horizontal ceilings only AS DEFINED BY NFPA 13.

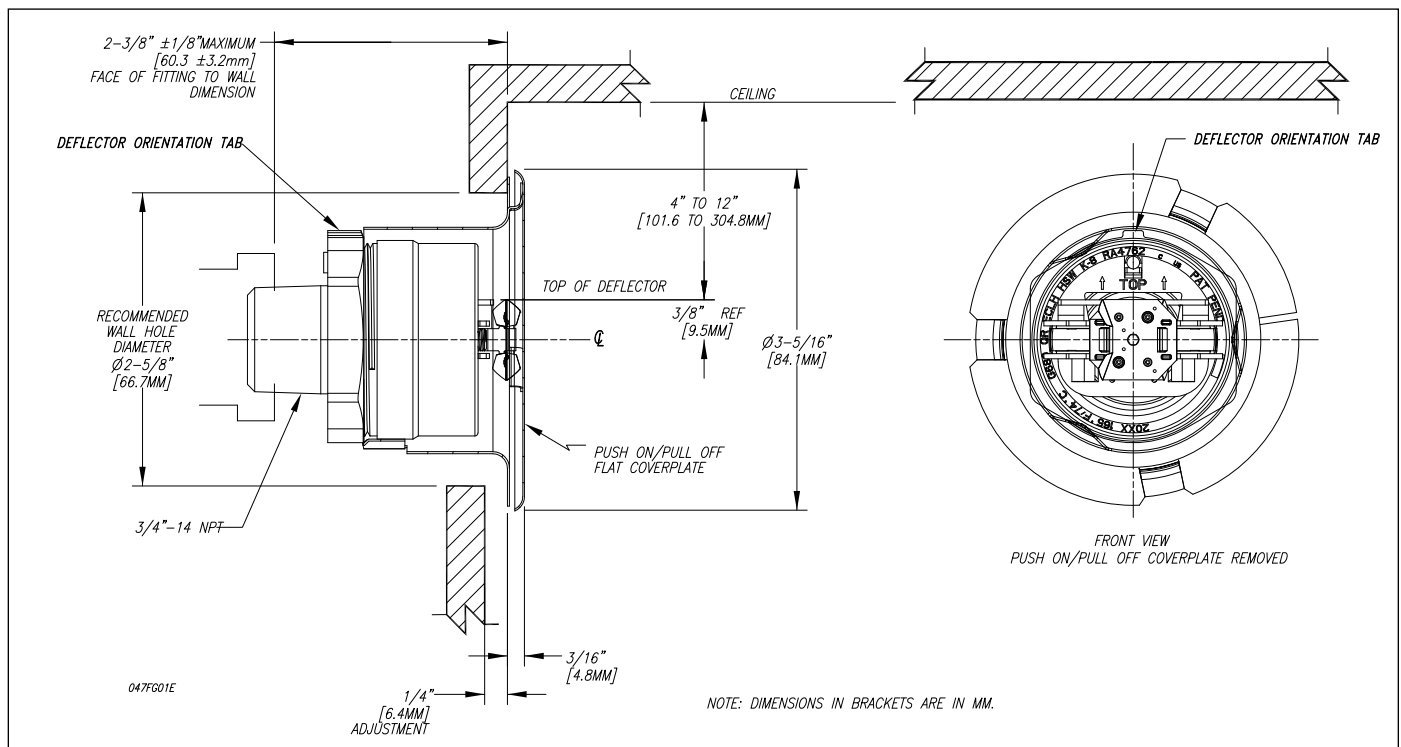


Figure 1

Maintenance

Model G6-80 Concealed Sprinklers should be inspected and maintained in accordance with NFPA 25. Do not clean sprinklers with soap and water, ammonia or any other cleaning fluids. Remove dust by using a soft brush or gentle vacuuming. Replace any sprinkler or cover plate assembly, which has been painted (other than factory applied) or damaged in any way. A stock of spare sprinkler and cover plate assemblies should be maintained to allow quick replacement of damaged or operated sprinklers. Prior to installation, sprinklers should be maintained in their original cartons and packaging until used to minimize the potential for damage to sprinklers that would cause improper operation or non-operation.

Model G6-80 Concealed Quick Response Extended Coverage Light Hazard Horizontal Sidewall Sprinkler Specification

Sprinklers shall be quick-response extended coverage sprinklers that are cULus Listed for use in Light Hazard occupancies. Sprinklers to be of bronze frame construction with brass cover plate and copper alloy retainer flange assembly. Water seal assembly shall consist of a PTFE coated Belleville spring washer and machined brass cup containing no plastic parts. Method of attaching the cover plate to the sprinkler cup shall be a push-on and pull-off design allowing a 1/4" cover plate adjustment. Sprinklers shall have a nominal K-factor of 8.0 (115 metric). Sprinkler temperature rating shall be 165°F (74°C) with a cover plate temperature rating of 135°F (57°C). Sprinklers shall be capable of a maximum coverage area of 16 ft. x 24 ft. (4.9 m x 7.4 m) or 18 ft. x 22 ft (5.5 m x 6.7 m), with a minimum lateral spacing of 8 ft. (2.4 m). Rated working pressure shall be 175 psi (12,0 bar). A plastic protective cap shall be provided and factory installed inside the sprinkler cup to protect the sprinkler from damage, which could occur during construction before the cover plate is installed. Installation threads shall be [1-inch NPT] [ISO 7-R3/4]. Cover plate finish: [Chrome] [White] [Custom Color- specify]. Extended Coverage Concealed horizontal sidewall sprinklers shall be Reliable Model G6-80. SIN RA4762 (Bulletin 047).

Ordering Information

Specify:

1. Sprinkler: Model G6-80
2. Model G6 Cover Plate Finish

Installation Wrench

Model G6 Sprinkler Wrench

Installation Aid

A protective plastic cap is included for use during installation.

Cover Plate Finishes⁽¹⁾

Standard Finishes
Chrome
White Paint
Special Application Finishes
Bronze
Black Paint
Flat White Paint

⁽¹⁾ Other colors and finishes are available. Consult factory for details.

Note: Paint or any other coatings applied over the factory finish will void all approvals and warranties.

The equipment presented in this bulletin is to be installed in accordance with the latest published Standards of the National Fire Protection Association, Factory Mutual Research Corporation, or other similar organizations and also with the provisions of governmental codes or ordinances whenever applicable. Products manufactured and distributed by Reliable have been protecting life and property for over 90 years, and are installed and serviced by the most highly qualified and reputable sprinkler contractors located throughout the United States, Canada and foreign countries.

Manufactured by

Reliable[®]

Reliable Automatic Sprinkler Co., Inc.

(800) 431-1588 Sales Offices
(800) 848-6051 Sales Fax
(914) 829-2042 Corporate Offices
www.reliablesprinkler.com Internet Address



Revision lines indicate updated or new data.

EG. Printed in U.S.A. 08/19 P/N 9999970456