

Reliable®

Model KFR56 Quick Response Intermediate Level Sprinklers

Features

1. Upright and pendent installations.
2. ½" (15mm) orifice with a ½" NPT (R½).

Approval Organizations

1. Listed by Underwriters Laboratories, Inc. and Certified for Canada (cULus)
2. Factory Mutual Approvals (FM)

UL Listing Category

Sprinklers, Automatic & Open (VNIV)

Product Description

The Reliable Models KFR56 Intermediate Level Sprinklers include shields which protect the operating element from water spray impingement caused by sprinklers located at a higher elevation.

Typical applications are for storage racks which require intermediate-level sprinklers and beneath open grid catwalks.

Application

Model KFR56 Intermediate Level sprinklers are used in fixed fire protection systems: Wet, Dry, Deluge or Preaction. Care must be exercised that the orifice size, temperature rating, deflector style and sprinkler type are in accordance with the latest published standards of the National Fire Protection Association or the Authority Having Jurisdiction.

Installation

Model KFR56 are quick response intermediate-level sprinklers for use in accordance with NFPA 13. Upright sprinklers must be installed with the Model W2 Sprinkler Wrench specifically designed by Reliable for use with these sprinklers, and pendent sprinklers must be installed with the Model GFR2 Sprinkler Wrench specifically designed by Reliable for use with these sprinklers.

Maintenance

The Models KFR56 Sprinklers should be inspected quarterly and the sprinkler system maintained in accordance with NFPA 25. Do not clean sprinklers with soap and water, ammonia or any other cleaning fluid. Remove dust by using a soft brush or gentle vacuuming. Remove any sprinkler which has been painted (other than factory applied) or damaged in any way. A stock of spare sprinklers should be maintained to allow quick replacement of damaged or operated sprinklers. Prior to installation, sprinklers should be maintained in the original cartons and packaging until used to minimize the potential for damage to sprinklers that would cause improper or non-operation.



Model KFR56
Upright Intermediate

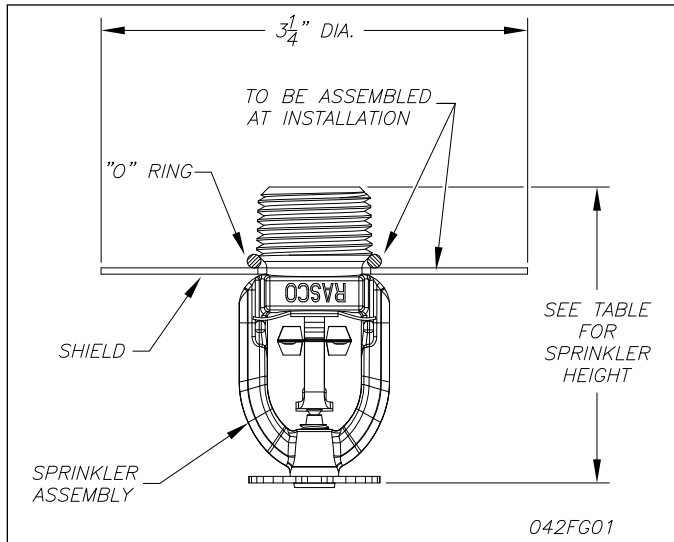


Model KFR56
Pendent Intermediate

Model KFR56 Quick Response Upright & Pendent Intermediate Level Sprinklers

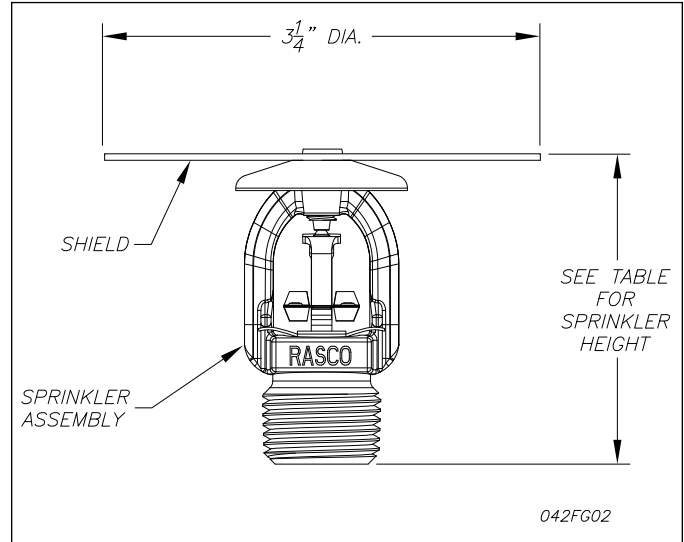
Installation Data:

| Sprinkler Type | Nominal Orifice | Thread Size | "K" Factor | | Sprinkler Identification Number (SIN) | Sprinkler Height | Approvals |
|----------------|-----------------|--------------|------------|--------|---------------------------------------|------------------|-----------|
| | | | US | Metric | | | |
| Pendent | ½" (15mm) | ½" NPT (R ½) | 5.6 | 80 | RA3614 | 2.25" | 1,2 |
| Upright | ½" (15mm) | ½" NPT (R ½) | 5.6 | 80 | RA3624 | 2.25" | 1,2 |



Model KFR56 Pendent Intermediate Level Sprinkler

Fig. 1



Model KFR56 Upright Intermediate Level Sprinkler

Fig. 2

Temperature Ratings For KFR56:

| Classification | Temperature | |
|----------------|-------------|-----|
| | °F | °C |
| Ordinary | 165 | 74 |
| Intermediate | 212 | 100 |

| Temperature | Fusible Element Color |
|-------------|-----------------------|
| 165° F | Gray |
| 212° F | White |

Installation Wrenches

Upright — Model W2 Sprinkler Wrench

Pendent — Model GFR2 Sprinkler Wrench

Shields

Galvanized Zinc

Ordering Information

Specify:

1. Sprinkler Model
2. Sprinkler Type
3. Orifice Size
4. Temperature Rating
5. Sprinkler Finish

Finishes ⁽¹⁾

| Standard Finish |
|------------------------------|
| Bronze |
| Special Application Finishes |
| Chrome ⁽²⁾ |
| White Polyester |

⁽¹⁾ Other colors and finishes are available for pendent version. Consult factory for details.

⁽²⁾ Pendent sprinkler only.

Note: Paint or any other coating applied over the factory finish will void approvals and warranties.

The equipment presented in this bulletin is to be installed in accordance with the latest published Standards of the National Fire Protection Association, Factory Mutual Research Corporation, or other similar organizations and also with the provisions of governmental codes or ordinances whenever applicable. Products manufactured and distributed by Reliable have been protecting life and property for over 90 years.

Manufactured by



Reliable Automatic Sprinkler Co., Inc.

(800) 431-1588

(800) 848-6051

(914) 829-2042

www.reliablesprinkler.com

Sales Offices

Sales Fax

Corporate Offices

Internet Address



Recycled Paper

Revision lines indicate updated or new data.

EG. Printed in U.S.A. 02/19 P/N 9999970432