

Reliable®

Model DH56 HSW Model DH56 HSW Recessed Model DH56 HSW Concealed Quick Response, Extended Coverage Dry Sprinklers

For coverages up to 28 feet wide and 10 feet long⁽¹⁾. 250 psi (17,2 bar) rated.

Features:

- Coverage for long and narrow spaces such as hallways, corridors, decks and rooms up to 28 feet wide and 10 feet long.⁽¹⁾
- Deflector to ceiling dimensions are: 4" (102mm) min. to 12" (305mm) max.
- Minimum spacing between sprinklers 16 feet (4.9m).⁽¹⁾
- Polyester Coated or Electroless Nickel PTFE Plated Corrosion Resistant Sprinklers.
*Concealed Sprinkler is not corrosion resistant.
- UL Listed for extended coverage, light hazard applications.
- 5.6 K Factor.
- Sprinkler is approved for 250 psi (17,2 bar) applications.
- Quick response performance.
- ½" (13mm) adjustment of escutcheon and cover.
- Concealed cover plate can prevent the sprinkler from being used for unintended purposes. No exposed thermal element with the concealed version.
- Push-on/thread-off sturdy convenient escutcheon for recessed and cover for concealed.
- Factory assembled sprinkler & cup, shipped complete with bulb protector for concealed and FP recessed versions.
- Sprinkler & cup assembly and escutcheon or cover are separately packaged.
- Available in a variety of plated and painted finishes

⁽¹⁾ See Fig. 10.

Approval Organizations

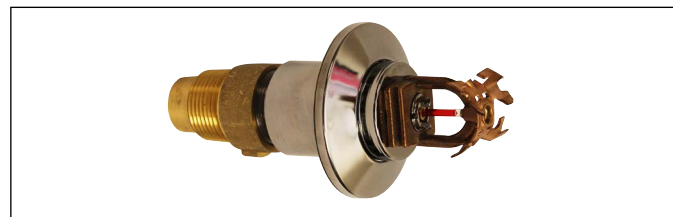
- Listed by Underwriters Laboratories Inc. and UL certified for Canada (cULus)

Patents

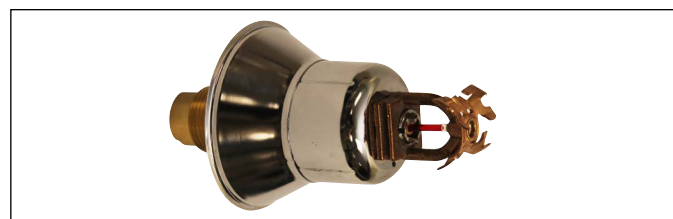
US Patent No. 7,841,418

Products Description

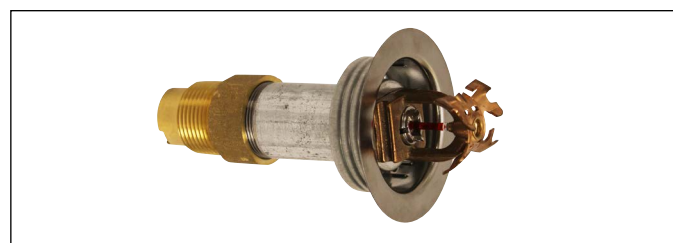
The Model DH56 are quick response extended coverage sidewall dry sprinklers for use in light hazard applications. The Model DH56 dry sprinkler with SWC cover plate is a concealed sprinkler that uses Reliable's push on/thread off sidewall cover. This sprinkler has the cup factory mounted and is shipped with a bulb protector that protects the 3mm frangible glass bulb during shipping and post installation finishing operations. The DH56 can be combined in the field with the FP Escutcheon to make a recessed dry sprinkler. The SWC cover plate and FP recessed escutcheons have ½" adjustment. The SWC cover plate is attached with 135 & 165 degree solder. In the event of a fire the rising ambient



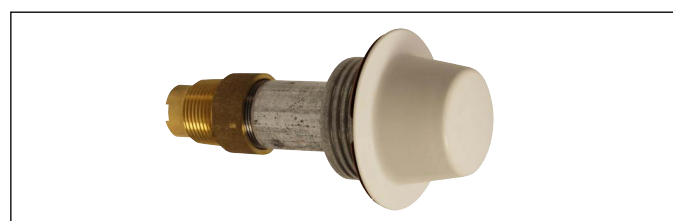
DH56 HSW



DH56 HSW/HSB



DH56 HSW FP Recessed



DH56 HSW Concealed
with SWC cover plate

temperature melts the solder and the cover plate is ejected away by springs exposing the 3mm frangible glass bulb. The use of a 3mm bulb allows quick response which enables the sprinkler to apply water to a fire sooner than standard response sprinklers of the same temperature rating.

Model DH56 dry sprinklers are intended for use in dry and preaction systems to protect areas subjected to freezing temperatures and unheated portions inside and outside buildings. See Fig. 8 for guidelines on using dry sprinklers in wet systems.

Environments wherein dry sprinklers are employed can be corrosive. For this reason, Model DH56 dry sprinklers have a special wax fillet placed in the gap between the cup that supports the bulb and the wrenching boss. This wax will not interfere with the operation of the sprinkler, and it prevents contaminants from entering the internal portion of the drop nipple. The wax must not be removed.

Application

The Model DH56 is a horizontal sidewall dry sprinkler intended for installation in light hazard occupancies in accordance with NFPA 13. These sprinklers are designed to provide fire protection in long and narrow spaces such as hallways, corridors, decks and rooms up to 28 feet (8.5m) wide and 10 feet (3m) long. They are rated for 250 psi (17.2 bar) and can be mounted between 4 and 12 inches (102 and 305mm) down from the ceiling.

General Installation Instructions

Model DH56 dry sprinklers must be installed only in standard (ANSI B 16.3 class 150 and ANSI B 16.4 class 125) pipe tees in the horizontal position, even at branch line ends. They should not be installed into elbows or pipe couplings located on drop nipples to the sprinklers. For these and other fittings including CPVC, the dry sprinkler should be installed into a fitting to allow protrusion into the fitting in accordance with the diagrams. The "A" dimension of the dry sprinkler, which extends into a freezing zone from wet pipe systems, should be selected to provide, as a minimum, the specified lengths in inches shown in Fig. 8.

Caution:

Do not install Model DH56 HSW Dry sprinklers into CPVC adapter fittings or tees that have an internal obstruction. This will damage the sprinkler and /or the fitting. Refer to Fig. 9.

DH56 HSW

To install the DH56 HSW dry sprinkler cut a 2¹/₈" diameter hole in the wall as shown in Fig. 4. Use the Model F3R installation wrench (see Fig. 3) on the square boss to tighten the sprinkler until it is secured in the sprinkler fitting¹. Apply a PTFE based sealant to the sprinkler threads before installing in the sprinkler. Installation is completed by removing the orange glass bulb-protector and assembling the slip-on escutcheon to the sprinkler's can.

DH56 HSW/HB

To install the DH56 HSW/HB dry sprinkler cut a 2¹/₂" diameter hole in the wall as shown in Fig. 5. Use the Model F3R installation wrench (see Fig. 3) on the square boss to tighten the sprinkler until it is secured in the sprinkler fitting¹. Apply a PTFE based sealant to the sprinkler threads before installing in the sprinkler. Installation is completed by removing the orange glass bulb-protector and assembling the slip-on escutcheon to the sprinkler's can.

¹ Installation Wrenches:

Throughout this technical bulletin, Reliable has specified specific installation wrenches for use on each version of our sprinklers. A pipe wrench may also be used to install a dry sprinkler provided that it only interfaces with the steel outer tube of the assembly (Item #8 on fig 10). Keep in mind that a pipe wrench will incorporate a large amount of torque into the final assembly. This torque will have to be matched or exceeded upon the sprinkler's removal at a later date.

DH56 HSW Recessed with FP Escutcheon

To install the DH56 HSW dry sprinkler with the FP Escutcheon as a recessed sprinkler cut a 2⁵/₈" diameter hole in the wall as shown in Fig. 6. Temporarily remove the plastic protective cap, and then use the Model XLO2 wrench¹ (see Fig. 2) to tighten the sprinkler until it is secured in the sprinkler fitting. **Note:** The Model XLO2 wrench has a notch in it to accommodate the deflector top. This wrench can only be inserted one way. Care must be taken not to damage the deflector during tightening. Apply a PTFE based sealant to the sprinkler threads before installing in the sprinkler. It is recommended that the sprinkler be protected during plastering and painting operations by reinstalling the plastic protective cap. Installation is completed by removing the protective cap and inserting the push-on escutcheon. Turn clockwise to adjust the escutcheon against the wall.

DH56 HSW Concealed with SWC Cover Plate

To install the DH56 HSW dry sprinkler with the SWC coverplate as a concealed sprinkler, cut a 2¹/₈" diameter hole into the wall as shown in Fig. 7. Temporarily remove the plastic protective cap, and then use the Model XLO2 wrench¹ (see Fig. 2) to tighten the sprinkler until it is secured in the sprinkler fitting. **Note:** The Model XLO2 wrench has a notch in it to accommodate the deflector top. This wrench can only be inserted one way. Care must be taken not to damage the deflector during tightening. Apply a PTFE based sealant to the sprinkler threads before installing in the sprinkler. It is recommended that the sprinkler be protected during plastering and painting operations by reinstalling the plastic protective cap. Installation is completed by removing the protective cap and inserting the coverplate. Coverplate assemblies provide 1/2" (13mm) of adjustment. Final adjustment is made by turning the coverplate clockwise until the skirt flange makes full contact with the wall surface. Cover removal requires turning in the counter-clockwise direction.

Concealed coverplate assemblies are listed only for use with specific sprinklers. The use of any other concealed wall sprinkler or the use of the SWC coverplate on any sprinkler with which it is not specifically listed will void all guarantees, warranties, listings and approvals.

Note: DH56 and DH56 Recessed Sprinklers have orange bulb protectors to minimize bulb damage during shipping, handling, and installation. REMOVE THIS PROTECTION AT THE TIME THE SPRINKLER SYSTEM IS PLACED IN SERVICE FOR FIRE PROTECTION. Removal of the protectors before this time may leave the bulb vulnerable to damage. RASCO wrenches are designed to install sprinklers when covers are in place. REMOVE PROTECTORS BY UNDOING THE CLASP BY HAND. DO NOT USE TOOLS TO REMOVE THE PROTECTORS.

Technical Data:

K Factor		Thread Size	Temperature Rating		Maximum Ambient Temperature	Sprinkler Identification Number (SIN)
US	Metric		Sprinkler	SWC Cover		
5.6	80	1"	155°F (68°C)	135°F (57°C)	100°F (38°C)	RA1664
			175°F (79°C)	165°F (74°C)	150°F (66°C)	
			200°F (93°C)	165°F (74°C)	150°F (66°C)	

Coverage Area		
Maximum Coverage Area Width x Length ft x ft (m x m)	Flow Rate gpm (L/min)	Pressure psi (bar)
28 x 8 (8,5 x 2,4)	23 (87,1)	16.9 (1,2)
28 x 10 (8,5 x 3)	28 (106)	25 (1,7)

Approval Type:

- Quick Response, Extended Coverage.
- Approved for installation in accordance with NFPA 13 for light hazard occupancies.

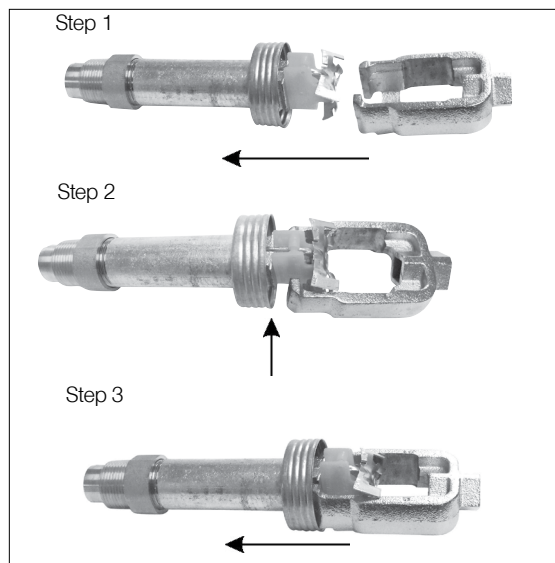


Fig. 2 - XLO2 Wrench



Fig. 3 - F3R Wrench

Maintenance

Model DH56 Quick Response Dry Sprinklers should be inspected and the sprinkler system maintained in accordance with NFPA 25. Do not remove the factory applied thermally sensitive wax fillet between the bulb supporting cup and the wrenching boss. Do not replace this wax with a substitute substance. An alternate substance may interfere with proper operation of the sprinkler. Do not clean sprinklers with soap and water, ammonia or any other cleaning fluids. Remove dust by using a soft brush or gentle vacuuming. Remove any sprinkler which has been painted (other than factory applied) or damaged in any way. A stock of spare sprinklers should be maintained to allow quick replacement of damaged or operated sprinklers. Prior to installation, sprinklers should be maintained in their original cartons and packaging until used to minimize the potential for damage to sprinklers that would cause improper operation or non-operation.

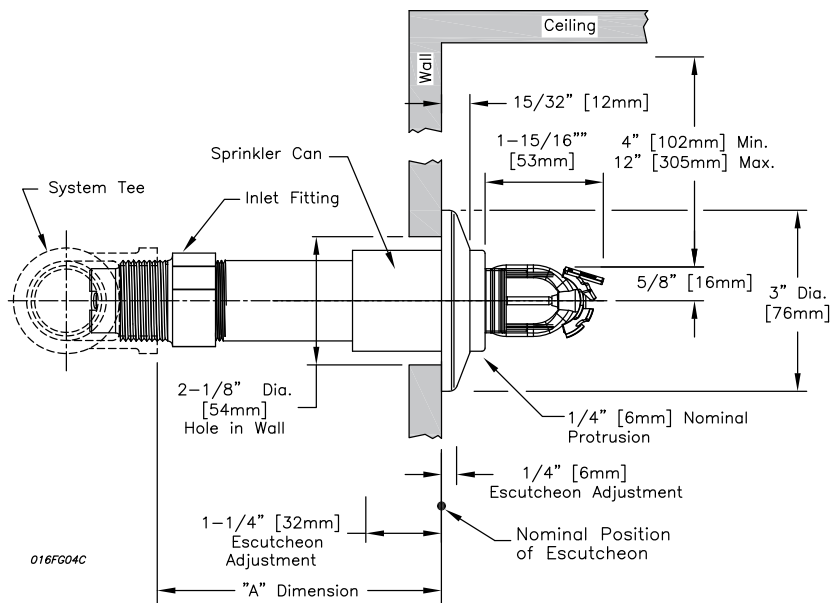
Model DH56 Quick Response Extended Coverage Horizontal Sidewall Dry Sprinkler Specification

Sprinklers shall be a [quick response – cULus Listed] extended coverage horizontal sidewall sprinkler for light hazard occupancies. Sprinklers to be of bronze frame construction with a special deflector capable of providing a discharge over a coverage area of 28 ft. (8,5m) wide, and 10 ft. (3m) long horizontal throw. Water seal assembly shall consist of a PTFE coated Belleville spring washer. Installation shall permit sprinkler deflectors to be positioned 4" (102mm) to 12" (305mm) below the ceiling. Sprinklers shall have a nominal K-factor of 5.6 (80), and 1" NPT thread. Sprinkler temperature rating shall be [155°F (68° C)] and [200°F (93°C)]. Rated working pressure shall be 250 psi (17.2 bar). Standard finish: [white] [chrome][bronze][Special finish– specify]. Quick response extended coverage horizontal sidewall dry sprinklers shall be Reliable Model DH56, SIN RA1664 (Bulletin 016).

For recessed EC horizontal sidewall sprinklers: Replace "horizontal sidewall" with "recessed horizontal sidewall." Add: (1) Recessed escutcheon assembly shall be a two-piece escutcheon of push-on and thread off design with 1/2" (13mm) adjustment. Standard finish shall be chrome, white and brass. Quick response recessed horizontal sidewall sprinklers shall be Reliable Model DH56, SIN RA1664 (Bulletin 016).

For concealed EC horizontal sidewall sprinklers: Replace "horizontal sidewall" with "concealed horizontal sidewall." Add: Cover plate assembly shall consist of a brass cover plate and copper alloy retainer flange. Method of attaching the cover plate to the sprinkler cup shall be a push-on and thread-off design allowing a 1/2" (13mm) cover plate adjustment. Cover plate temperature rating shall be 135°F (57°C) for 155°F (68°C) dry sprinkler and 165°F (74°C) for 200°F (93°C) dry sprinkler. A bulb protector shall be provided and factory installed inside the sprinkler cup to protect the glass bulb from damage, which could occur during construction before the cover plate is installed. Standard cover plate finish: [white] [Custom Color– specify]. Quick response extended coverage concealed horizontal sidewall dry sprinklers shall be Reliable Model DH56, SIN RA1664 (Bulletin 016).

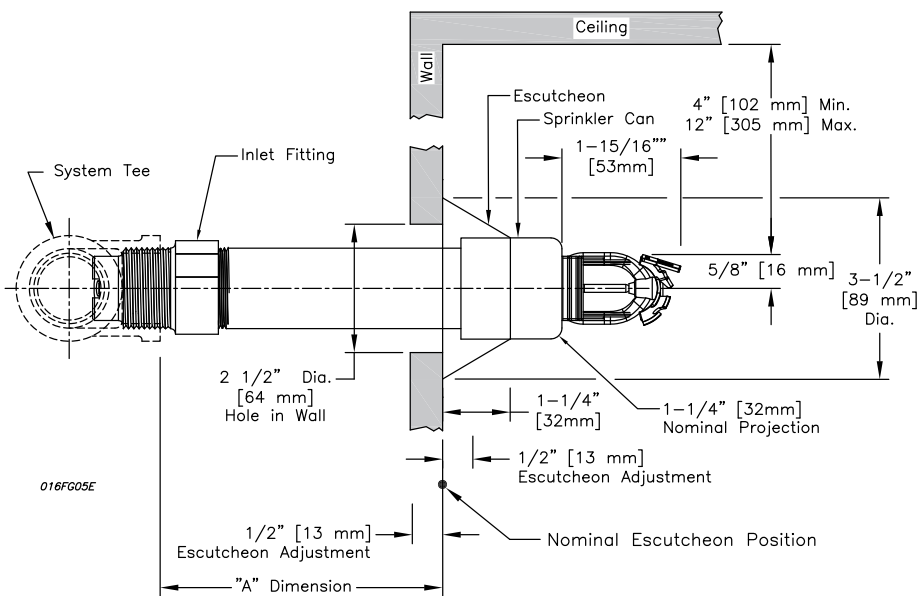
DH56 HSW DRY SPRINKLER



AVAILABLE "A" DIM. IS 2" TO 48" (51MM TO 1219MM) IN 1/4" (6MM) INCREMENTS

Fig. 4

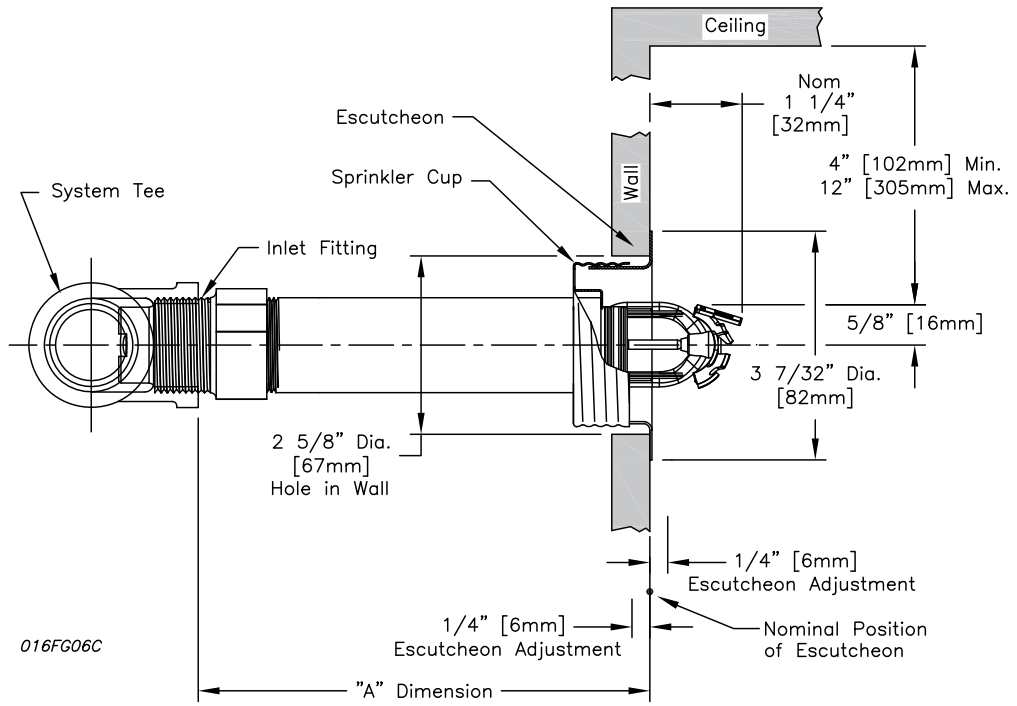
MODEL DH56 DRY SPRINKLER WITH MODEL HB ESCUTCHEON



AVAILABLE "A" DIM. IS 3-1/2" TO 36" (89 MM TO 914 MM) IN 1/4" (6MM) INCREMENTS

Fig. 5

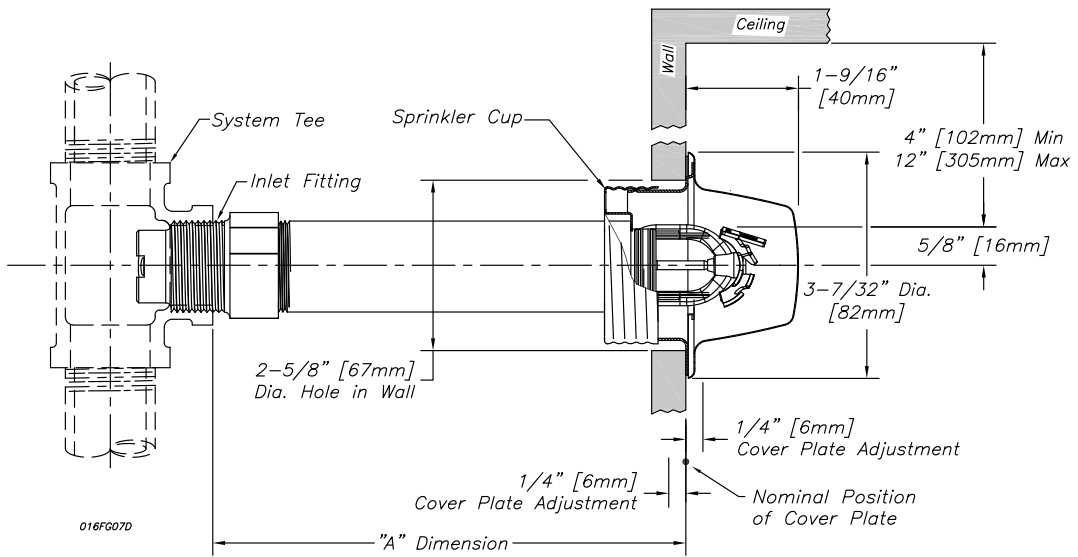
DH56 HSW RECESSED DRY SPRINKLER



AVAILABLE "A" DIM. IS 3-1/2" TO 48" (89mm TO 1219mm) IN 1/4" (6mm) INCREMENTS

Fig. 6

DH56 HSW CONCEALED DRY SPRINKLER



AVAILABLE "A" DIM. IS 3-1/2" TO 48" (89mm TO 1219mm) IN 1/4" (6mm) INCREMENTS

Fig. 7

MINIMUM EXPOSED BARREL LENGTH WHEN CONNECTED TO WET PIPE SPRINKLER SYSTEM

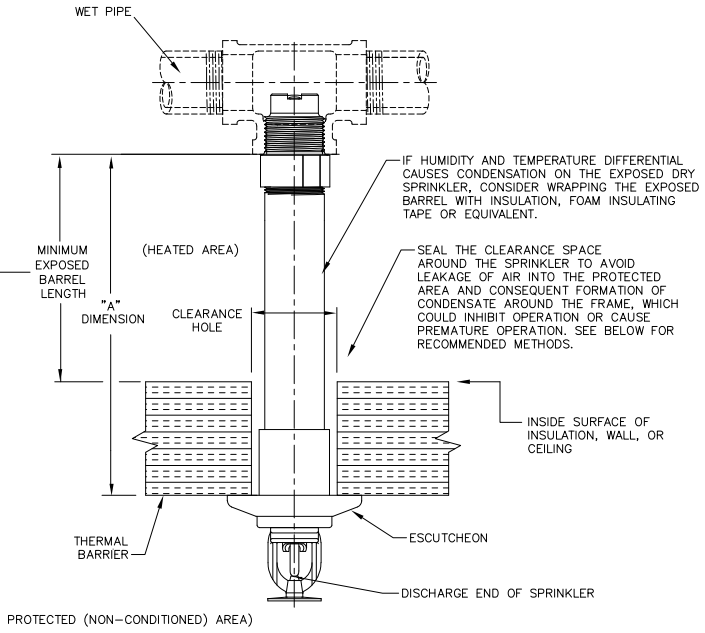
NOTE: STANDARD DRY PENDENT IS SHOWN, HOWEVER, MINIMUM EXPOSED BARREL LENGTH APPLIES TO ALL STYLES OF DRY SPRINKLERS CONNECTED TO A WET PIPE SYSTEM.

AMBIENT TEMPERATURE EXPOSED TO DISCHARGE END OF SPRINKLER* (FACE OF FITTING TO TOP OF CEILING)***	EXPOSED BARREL AMBIENT TEMPERATURE		
	40°F/4°C	50°F/10°C	60°F/16°C
	IN. (MM)	IN. (MM)	IN. (MM)
40°F (4°C)	0	0	0
30°F (-1°C)	0	0	0
20°F (-7°C)	4 (100)	0	0
10°F (-12°C)	8 (200)	1 (25)	0
0°F (-18°C)	12 (300)	3 (75)	0
-10°F (-23°C)	14 (350)	4 (100)	1 (25)
-20°F (-29°C)	14 (350)	6 (150)	3 (75)
-30°F (-34°C)	16 (400)	8 (200)	4 (100)
-40°F (-40°C)	18 (450)	8 (200)	4 (100)
-50°F (-46°C)	20 (500)	10 (250)	6 (150)
-60°F (-51°C)	20 (500)	10 (250)	6 (150)

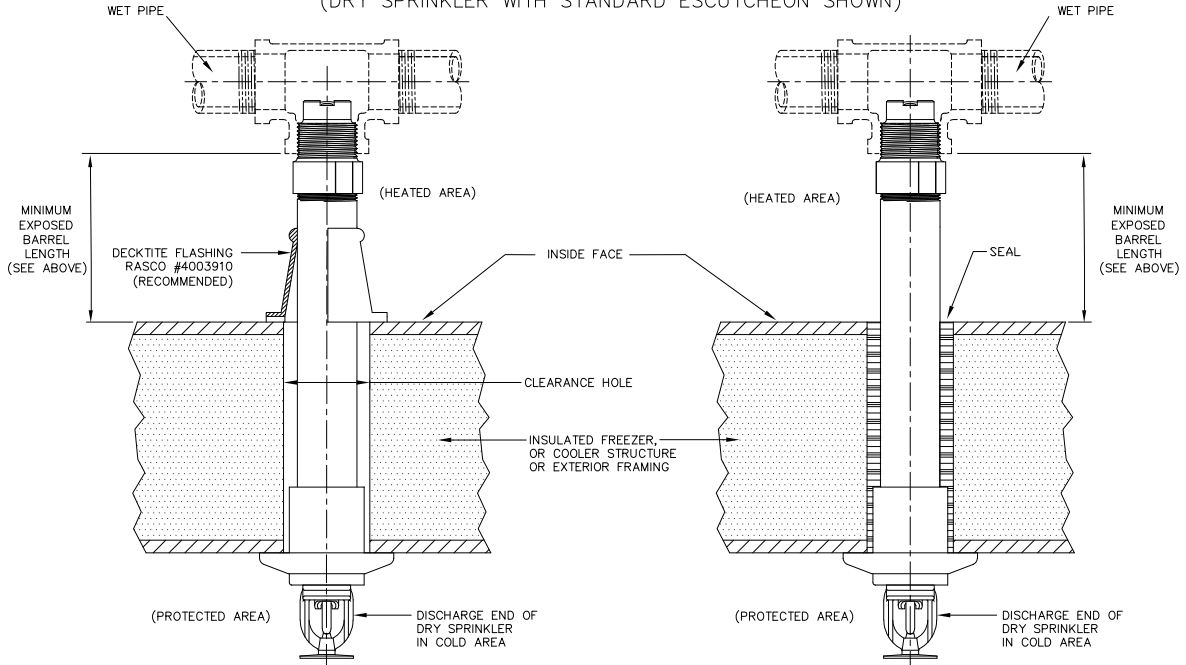
* FOR AMBIENT TEMPERATURES EXPOSED TO THE DISCHARGE END OF THE SPRINKLER THAT OCCUR BETWEEN THE VALUES LISTED, USE THE NEXT COOLER TEMPERATURE.

** THE MINIMUM EXPOSED BARREL LENGTH IS NOT THE SAME AS THE "A" DIMENSION. THE MINIMUM EXPOSED BARREL LENGTH IS BASED ON A PROPERLY SEALED PENETRATION WITH A MAXIMUM WIND VELOCITY ON THE EXPOSED SPRINKLER OF 30 MPH (48 KM/H). LONGER EXPOSED BARREL LENGTHS WILL HELP AVOID FREEZING OF THE WET PIPING WHERE HIGHER WIND VELOCITY IS EXPECTED.

*** THE MINIMUM EXPOSED BARREL LENGTH IS MEASURED FROM THE FACE OF THE FITTING TO THE INSIDE FACE OF THE INSULATION, WALL, OR CEILING LEADING TO THE COLD SPACE, WHICHEVER IS CLOSEST TO THE FITTING.



RECOMMENDED DRY SPRINKLER SEAL ARRANGEMENTS (DRY SPRINKLER WITH STANDARD ESCUTCHEON SHOWN)



COMDRYDET1

Fig. 8

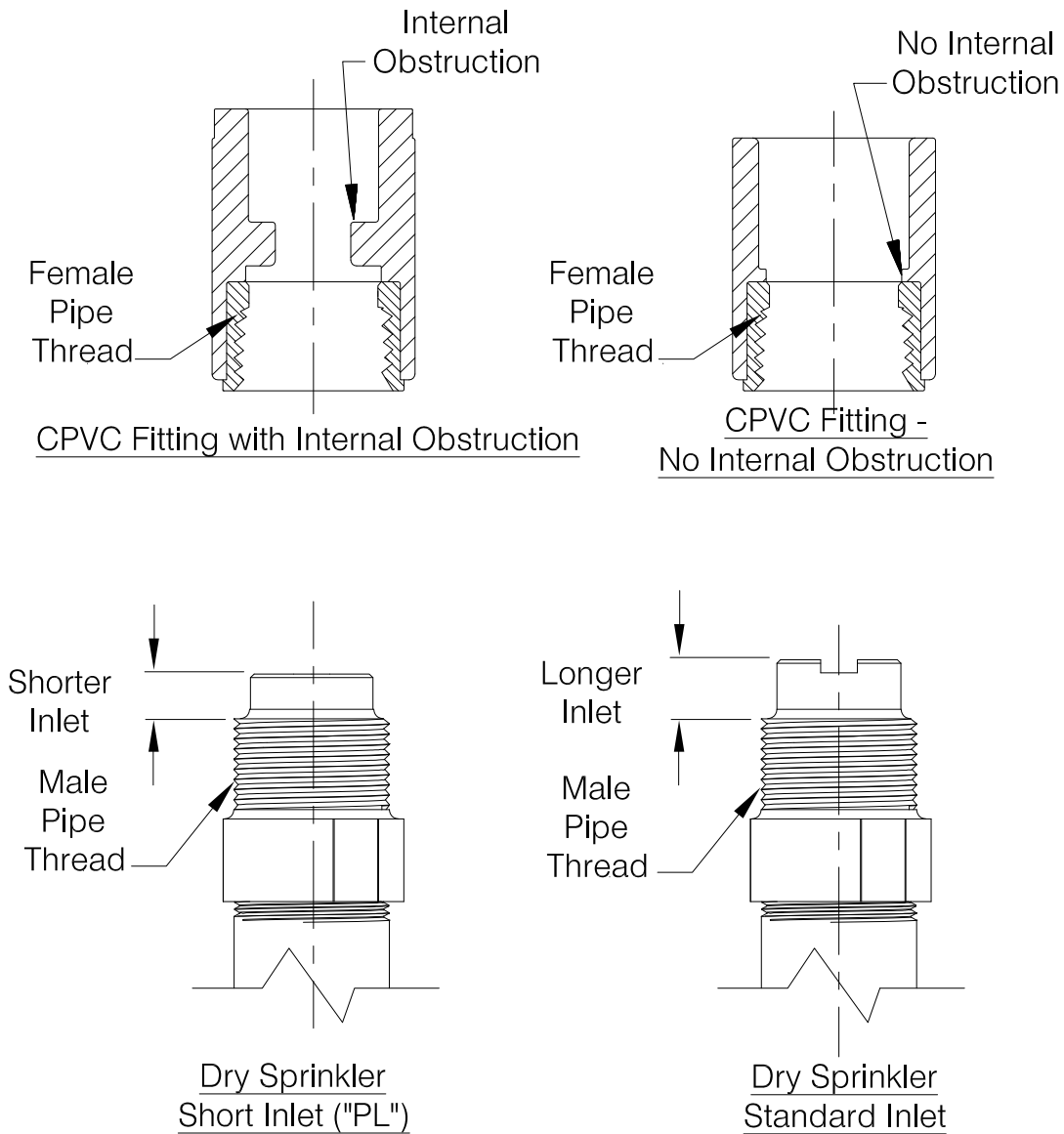
CAUTION

RELIABLE DRY SPRINKLERS MAY BE INSTALLED IN A LISTED CPVC SPRINKLER FITTING, ONLY UPON VERIFICATION THAT THE FITTING DOES NOT INTERFERE WITH THE SPRINKLER'S INLET.

Do not install dry sprinklers with standard inlets into CPVC fittings that have an internal obstruction; this will damage the sprinkler, the fitting, or both.

Short inlet ("PL") versions of Reliable dry sprinklers are available that may or may not be compatible with fittings having internal obstructions in existing installations. Sprinklers with the short inlet ("PL") should only be installed in CPVC fittings of wet-pipe systems.

In all cases, verify sprinkler and fitting dimensions prior to installation to avoid interference.



BE SURE TO ORDER THE CORRECT SPRINKLERS FOR YOUR APPLICATION

COMDRYDET2

Fig. 9

Ordering Information

Specify:

- Sprinkler Type (select one):
 - Model DH56 Dry EC HSW
 - Model DH56 Dry EC HSW/HB
 - Model DH56 Dry Recessed EC HSW/FP
 - Model DH56 Dry Concealed EC HSW
- Sprinkler Temperature Rating.
- Sprinkler Finish.
- Cover Plate/Escutcheon Finish.
- Length: "A" Dimension (face of tee to face of ceiling or wall) in 1/4" (6mm) increments.

Notes:

- The "A" dimension is based on a nominally gauged pipe thread "make-up" of 0.600" (15mm) per ANSI B2.1 [7½ threads approximately].
- All platings and paintings are decorative and intended for interior use.

Installation Wrench

Model XLO2 Sprinkler Wrench (Recessed & Concealed)
Model F3R Sprinkler Wrench

Note: Throughout this technical bulletin, Reliable has specified specific installation wrenches for use on each version of our sprinklers. A pipe wrench may also be used to install a dry sprinkler provided that it only interferes with the steel outer tube of the assembly (item #8 on fig 16). Keep in mind that a pipe wrench will incorporate a large amount of torque into the final assembly. This torque will have to be matched or exceeded upon the sprinkler removal at a later date.

Finishes

Standard Finishes				
Sprinkler	Standard Escutcheon	HB Escutcheon	FP Recessed Escutcheon	Cover Plate
White Polyester*	White Polyester	White Paint	White Paint	White Paint
Chrome	Chrome	Chrome	Chrome	
Bronze	Brass	--	--	

Standard Finishes				
Sprinkler	Standard Escutcheon	HB Escutcheon	FP Recessed Escutcheon	Cover Plate
Black Polyester*	Black Polyester	Black Paint	Black Polyester	Custom Color Paint, Black Plated, Chrome, Brass, Bright Brass
Custom Color Polyester	Custom Color Polyester	Custom Color Paint	Customer Color Polyester	
Black Plated	Black Plated	--	Black Plated	
Electroless Nickel PTFE (ENT)*	Type 316 Stainless Steel	Type 316 Stainless Steel	--	
Chrome Dull	Chrome Dull	--	Chrome Dull	

***Note:** cULus Listed as a Corrosion Resistant Sprinkler, except for concealed version.

Note: Paint or any other coating applied over the factory finish will void all approvals and warranties.

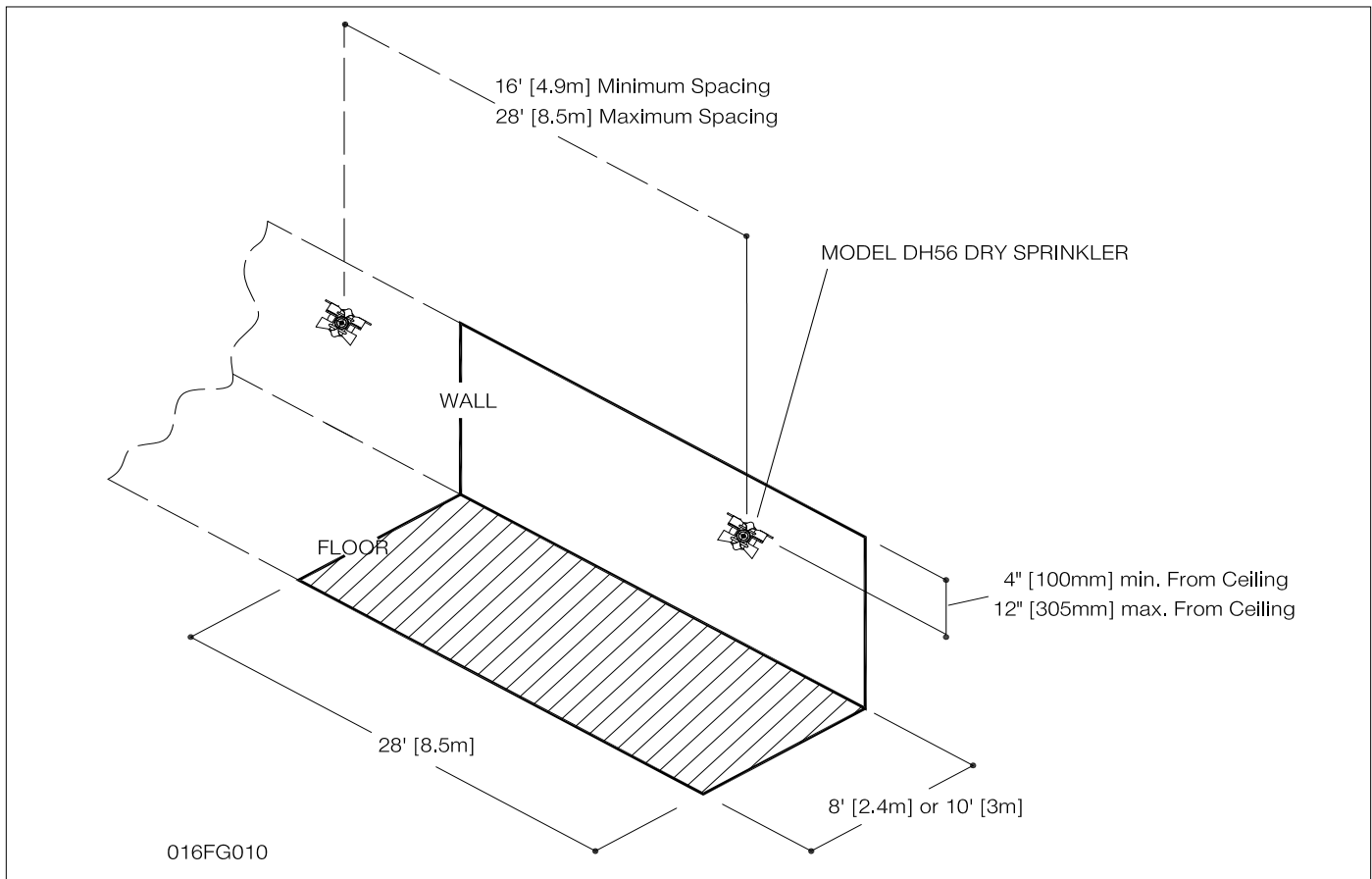
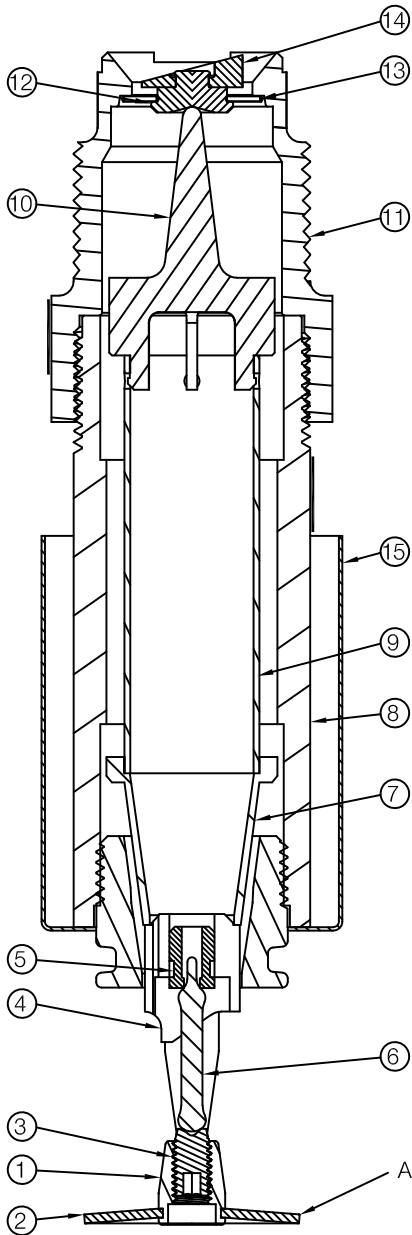


Fig. 10

MATERIAL SPECIFICATIONS



ITEM #	DESCRIPTION	MATERIAL SPECIFICATION
1	FRAME	BRASS PER UNS C83600
2	DEFLECTOR	BRONZE PER UNS C51000
3	LOAD SCREW	BRASS PER UNS C22000
4	SEAT ADAPTOR	BRASS ALLOY PER UNS C36000
5	BULB INSERT	COPPER ALLOY PER UNS C31400
6	GLASS BULB	GLASS W/GLYCERIN SOLUTION
7	ORIFICE ADAPTOR	BRASS ALLOY PER UNS C36000
8	OUTER TUBE	GALVANIZED STEEL
9	INNER TUBE	BRASS ALLOY PER UNS C23000
10	YOKE	BRASS ALLOY PER UNS C38000
11	INLET	BRASS ALLOY PER UNS C35330
12	CAP	BRASS ALLOY PER UNS C54400
13	SPRING WASHER/SEAL	PTFE COATED BERYLLIUM NICKEL
14	FLIP DISK	BRASS ALLOY PER UNS C54400
15	CAN/ESCUTCHEON	PAINTED OR PLATED MILD STEEL, EXCEPT FOR TYPE 316 STAINLESS STEEL FOR SPRINKLERS WITH ENT FINISH (OTHER THAN FP RECESSED)

(PIPE WRENCH MAY ONLY BE USED ON OUTER STEEL PIPE OF SPRINKLER)

COMDRYDET13

APPEARANCE OF DEFLECTOR MAY VARY DEPENDING ON MODEL

Fig. 11

The equipment presented in this bulletin is to be installed in accordance with the latest published Standards of the National Fire Protection Association, Factory Mutual Research Corporation, or other similar organizations and also with the provisions of governmental codes or ordinances whenever applicable.

Products manufactured and distributed by Reliable have been protecting life and property for over 90 years.

Manufactured by



Reliable Automatic Sprinkler Co., Inc.

(800) 431-1588

(800) 848-6051

(914) 829-2042

www.reliablesprinkler.com

Sales Offices

Sales Fax

Corporate Offices

Internet Address



Recycled Paper

Revision lines indicate updated or new data.

EG. Printed in U.S.A. 04/20 P/N 9999970308