

Reliable®

Model N252EC Pendent and Recessed Pendent Sprinkler

Storage and Non-Storage Sprinkler
K25.2 (360 metric)

Features

- 14' x 14' (4.3m x 4.3m) max. coverage area
- cULus Listed for unobstructed or noncombustible obstructed construction
- CMSA criteria and RTI to meet the requirements of the International Fire Code for elimination of smoke/heat vents

Product Description

Reliable Model N252EC Pendent and Recessed Pendent Sprinklers are standard response, control mode density/area extended coverage sprinklers for storage and non-storage applications in accordance with the design requirements of NFPA 13.

The Model N252EC sprinkler may also be used as a control mode specific application sprinkler in accordance with the Alternative Sprinkler Systems Design chapter for NFPA 13 (Chapter 24 in the 2019 ed.). Specific Application design criteria is described in Table C.

The Model N252EC is FM Approved as a quick-response extended coverage sprinkler for storage and non-storage applications in accordance with FM Global Data Sheets.

The Model N252EC sprinkler complies with the requirements in NFPA 13 (2019 ed.) Section 21.9 for the protection of storage and display in retail stores.

The Model N252EC sprinkler is also used as part of the N-RACK-EC® extended coverage in-rack sprinkler system. Details of the system may be found in NFPA13 (2019 ed.) Section 25.8.3 and FM Data Sheet 8-9.

The Model N252EC sprinkler offers a maximum coverage area of 14 ft by 14 ft (196 ft²), which is almost twice that provided by standard coverage sprinklers. This offers the advantage of decreasing the total number of sprinklers, reducing labor and material costs.



Model N252EC Pendent (with optional K25 guard, right)



Recessed Pendent (UL only)

Model N252EC Specifications

| | | | | | | Table A |
|---------------------|--|----------------------------------|--------------------------------|--|---------------------------------|---------------------------|
| Style | Max Coverage Area ft. x ft. (m x m) | Temperature Rating °F (°C) | Sensitivity | Response Time Index RTI [m.s] ^{1/2} | Pressure Rating psi (bar) | Listings and Approvals |
| Pendent | 14 x14 (4.3 x 4.3) | 165°F (74°C) 212°F (100°C) | Standard (cULus) Quick (FM) | Less than 50 | 175 (12) | cULus, FM |
| Recessed Pendent | | | Standard | | | cULus |

Technical Specifications

Style: Pendent or Recessed Pendent
Threads: NPT or ISO 7-1R1
Nominal K-Factor: 25.2 (360 metric)
Max. Working Pressure: 175 psi (12 bar)

Material Specifications

Thermal Sensor: Beryllium Nickel Solder Link
Sprinkler Frame: Brass Alloy
Button: Copper Alloy
Sealing Assembly: Nickel Alloy with PTFE
Load Screw: Bronze
Deflector: Bronze Alloy
Levers: Stainless Steel Alloy

Sprinkler Finishes

(See Table D)

Sensitivity

Standard Response (cULus)
 Quick Response (FM)

Temperature Ratings

165°F (74°C) (black link)
 212°F (100°C) (white link)

Recessed Escutcheons

Model FP recessed escutcheon (cULus only)

Guards

Model 25 (FM Approved for use as an in-rack sprinkler only)

Sprinkler Wrenches

Model W5 (pendent)
 Model N (recessed)

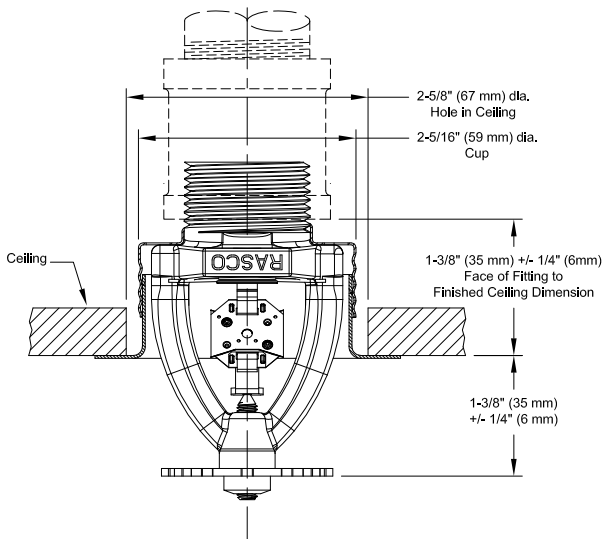
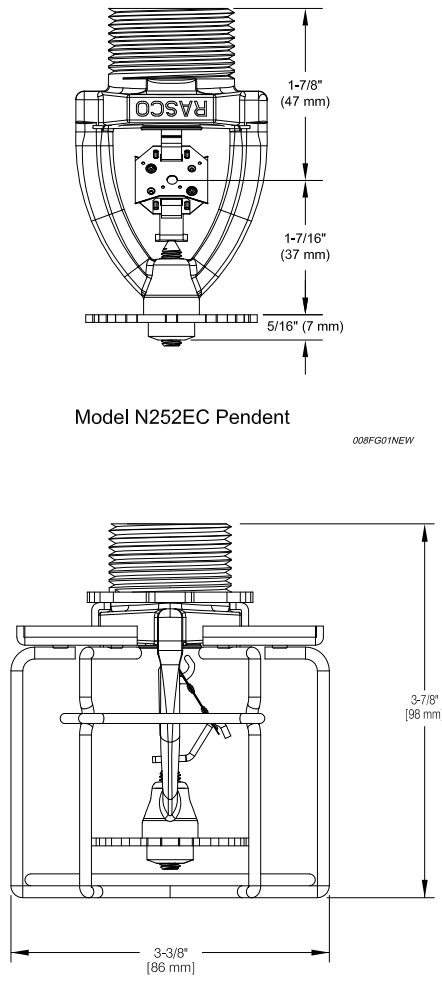
Listings and Approvals

cULus Listed
 FM Approved



Model N252EC Pendent Sprinkler Components and Dimensions

Figure 1



Model N252EC Pendent with Model 25 Guard
 (Shown rotated 90 degrees; FM Approved for use as an in-rack sprinkler)

Model N252EC Recessed FP Escutcheon
 Note: Dimensions based upon nominal thread engagement of .60" (15 mm)

Model N252EC Commodity Selection and Design Criteria Overview

Table B

| Storage Type | NFPA | FM GLOBAL |
|---|--|----------------------------|
| Sprinkler Type | CMDA | Storage and Non-storage |
| Response Type | Standard Response | Quick Response |
| System Type | Wet | Wet |
| Temperature Rating | 165°F, 212°F (74°C, 100°C) ⁽¹⁾ | 165°F, 212°F (74°C, 100°C) |
| Roof Construction | Unobstructed and Noncombustible Obstructed | See FM Global 2-0 |
| Ceiling Slope | See NFPA 13 | See FM Global 2-0 |
| Maximum Coverage Area | 196 ft ² (18.2m ²) | See FM Global 2-0 |
| Minimum Coverage Area | See NFPA13 | See FM Global 2-0 |
| Maximum Spacing | 14' (4.3m) | See FM Global 2-0 |
| Minimum Spacing | 8' (2.4m) | See FM Global 2-0 |
| Minimum Clearance to Commodity | 3' (900mm) ⁽²⁾ | See FM Global 2-0 |
| Sprinkler Distance to Ceiling | See NFPA 13 | See FM Global 2-0 |
| Open Frame, Single, Double, Multiple Row, or Portable Rack Storage of Class I - IV, Cartoned Unexp Plastics | See NFPA 13 | See FM 2-0 & 8-9 |
| Solid Pile or Palletized Storage of Class I - IV and Cartoned Unexp Plastics | See NFPA 13 | See FM 2-0 & 8-9 |
| Idle Pallet Storage | N/A | N/A |
| Rubber Tire Storage | N/A | See FM 2-0 & 8-3 |
| Rolled Paper Storage | N/A | N/A |
| Flammable Liquid Storage | N/A | See FM 7-29 |
| Aerosol Storage | N/A | N/A |
| Auto Components in Portable Racks | N/A | N/A |

Notes:

⁽¹⁾ The cULus Listing for the sprinkler permits design criteria for high temperature CMDA sprinklers to be used with ordinary and intermediate temperature N252EC sprinklers.

⁽²⁾ A minimum operating pressure of 22 psi (1.5 bar) is required for clearances less than 4' (1.2 m).

| Storage Type | Specific Application Criteria |
|------------------------------------|--|
| Sprinkler Type | Storage, CMSA |
| Temperature Rating | 165°F, 212°F (74°C, 100°C) |
| Response Type | Quick Reponse |
| System Type | Wet |
| Maximum Area of Coverage | 196 ft ² (18.2m ²) |
| Minimum Area of Coverage | 100 sq. ft. (9.3m ²) |
| Maximum Slope Ceiling | 2/12 pitch |
| Maximum Spacing | 14' (4.3m) |
| Minimum Spacing | NFPA 13: 8' (2.4m) FM: 10' (3.0m) |
| Deflector to Top of Storage | Minimum 3' (900mm) |
| Deflector Distance | In accordance with NFPA 13 for Extended Coverage Upright and Pendent Sprinklers |
| Maximum Ceiling Height | 35' (10.7m) |
| Maximum Storage Height | 30' (9.1m) |
| Storage Arrangement | Storage arrangements as outlined in Chapter 21 (2013, 2016 ed.) or Chapter 24 (2019 ed.) of NFPA 13 for Extended Coverage Sprinklers |
| Commodity | Class I-IV commodities and Cartoned Unexpanded plastics |
| Sprinkler System Design | In accordance with Chapter 21 (2013, 2016 ed.) or Chapter 24 (2019 ed.) of NFPA 13 for Extended Coverage Sprinklers |
| Obstruction Criteria | In accordance with Chapter 21 (2013, 2016 ed.) or Chapter 24 (2019 ed.) of NFPA 13 for Extended Coverage Sprinklers |
| Minimum Aisle Width | N/A |
| Hose Stream Allowance and Duration | 250 GPM (950 lpm) for 60 minutes |

***Note:** CMSA criteria is based on the original FM Approval for the Model N252EC sprinkler, which is now included in Chapter 21 (2013, 2016 ed.) and Chapter 24 (2019 ed.) of NFPA 13. Additional design criteria for the Model N252EC sprinkler may be found in FM Global Property Loss Prevention Data Sheet 8-9. The Model N252EC sprinkler is described as a quick-response K25.2EC pendent storage sprinkler in FM Global Data Sheet 8-9.

| Standard Finishes | | Special Application Finishes | |
|-------------------|-------------------------------|------------------------------|-------------------------------|
| Sprinkler | FP Escutcheons ⁽²⁾ | Sprinkler | FP Escutcheons ⁽²⁾ |
| Brass | Brass | Bright Brass | Bright Brass |
| Chrome Plated | Chrome Plated | Dull Chrome | Dull Chrome |
| White Polyester | White Polyester | Black Polyester | Black Polyester |
| N/A | N/A | Custom Color Polyester | Custom Color Polyester |

Notes:

1. Paint or any other coating applied over the factory finish will void all approvals and warranties.
2. Model FP escutcheon assembly consists of an unfinished galvanized cup and a finished trim ring.

Installation

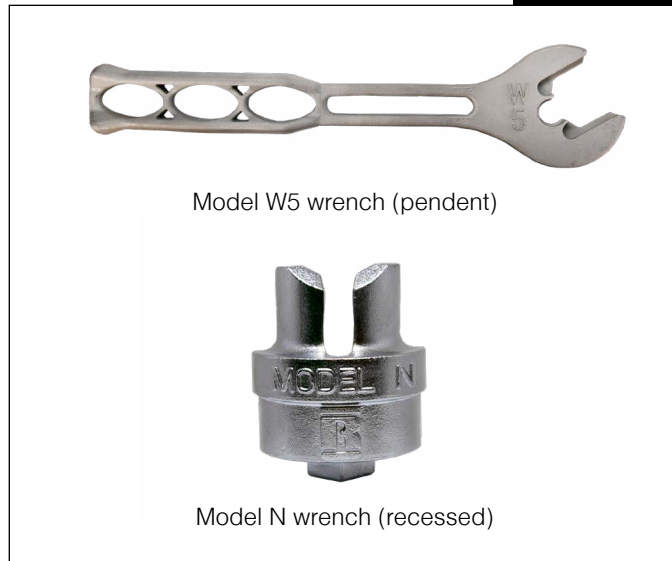
Model N252EC series sprinklers must be installed in accordance with the requirements of the NFPA 13 for pendent sprinklers and may also be installed as a recessed sprinkler. The Model FP recessed escutcheon is the only recessed escutcheon to be used with Model N252EC sprinklers. Use of any other recessed escutcheon will void all approvals and warranties. Do not install Model FP escutcheons in ceilings that are positively pressurized with respect to the occupied space below.

When installing Model N252EC sprinklers use only the Model W5 wrench for pendent installations and the Model N wrench for recessed pendent installations. Use of wrenches other than those specified may damage these sprinklers.

Sprinklers should be tightened between 22 to 30 ft.- lbs. (30 - 41 Nm) torque. Do not tighten sprinklers over the maximum recommended torque. Sprinklers not tightened to recommended torque may cause leakage or impairment of the sprinklers.

Wrenches

Figure 2



Model W5 wrench (pendent)

Model N wrench (recessed)

Maintenance

Reliable Model N252EC series sprinklers should be inspected and the sprinkler system maintained in accordance with NFPA 25, as well as the requirements of any Authorities Having Jurisdiction.

Prior to installation, sprinklers should remain in the original cartons and packaging until used. This will minimize the potential for damage to sprinklers that could cause improper operation or non-operation.

Do not clean sprinklers with soap and water, ammonia liquid or any other cleaning fluids. Remove dust by gentle vacuuming without touching the sprinkler.

Replace any sprinkler which has been painted (other than factory applied). Model FP escutcheons have holes in the cup that must remain unobstructed. Replace any sprinkler which has been damaged. A stock of spare sprinklers should be maintained to allow quick replacement of damaged or operated sprinklers.

Failure to properly maintain sprinklers may result in inadvertent operation or non-operation during a fire event.

Guarantee

For the Reliable Automatic Sprinkler Co., Inc. guarantee, terms, and conditions, visit www.reliablesprinkler.com.

Ordering Information

Specify the following when ordering.

Sprinkler

- Model N252EC - pendent or recessed pendent
- Temperature Rating
- Threads (1" NPT or ISO 7-1 R1)
- Finish (See Table F)

Guard

- Model 25

Escutcheon

- Type (FP)
- Finish (See Table F)

Sprinkler Wrench

- Model W5 (Pendent)
- Model N (Recessed)