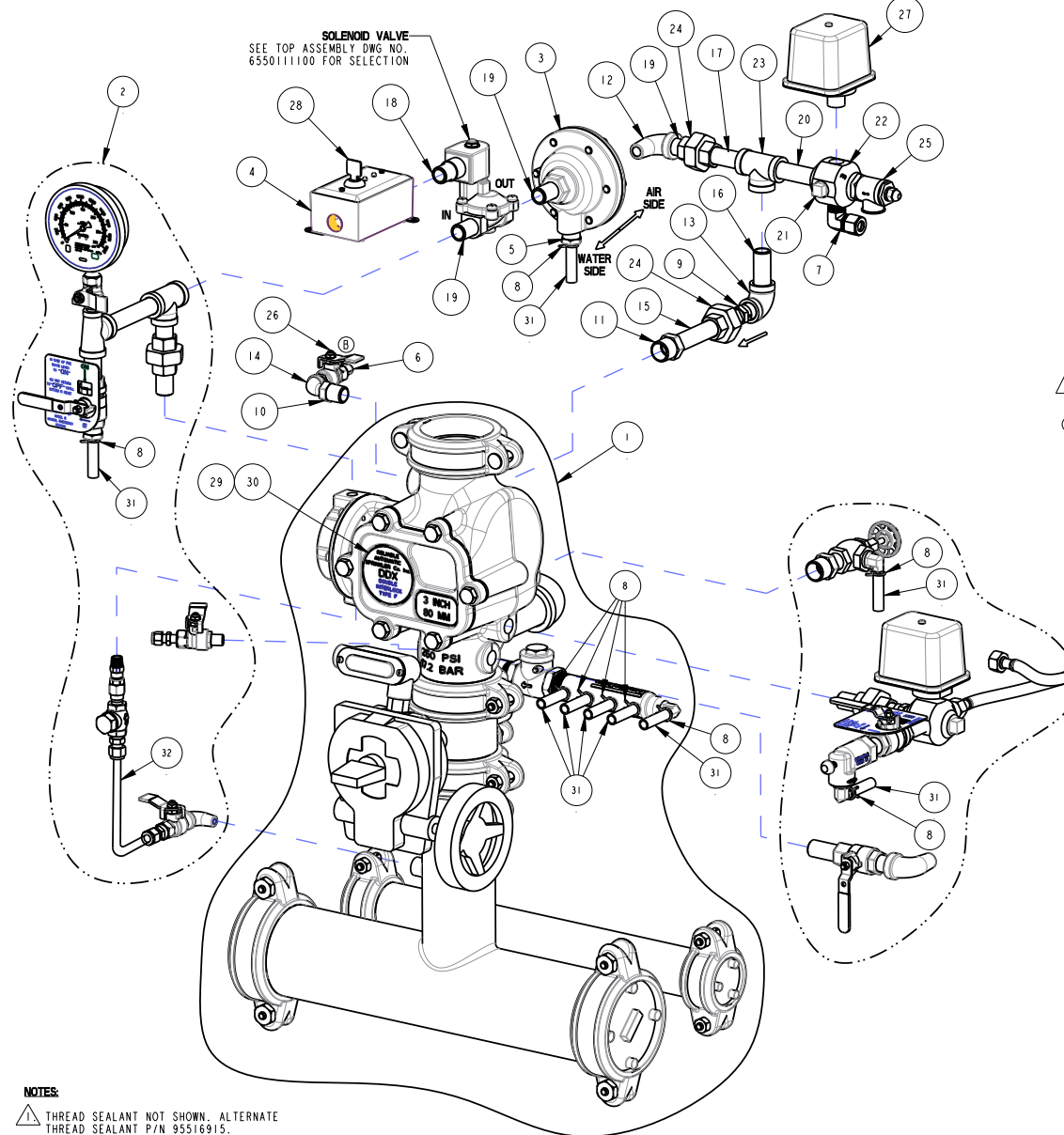


REVISIONS			
LTR	DESCRIPTION	DATE	DRAWN BY
~	RELEASE FOR PROD. ERN #13861	04/09/18	MK
A	ECN #17943	09/05/18	AW
B	ECN #19183	03/22/19	MK

PART NUMBER TABLE		
SIZE	ASSEMBLY P/N	ITEM 1 SUB-ASSEMBLY
2"	77006100	77000152
2-1/2"	77006200	77000153
3"	77006300	77000154

33	89097903	THREAD SEALANT	NOT SHOWN	A/R
32	98768008	TUBING, COPPER		2 FT.
31	96686701	TUBING, PVC, 3/8" ID		9 FT.
30	99080002	PAD-ADHESIVE		1
29	94616919	NAMEPLATE, DOUBLE INTERLOCK, TYPE F		1
28	6999996268	RCDS-I RELEASE CKT DISABLE SWITCH		1
27	6990019313	SWITCH, POTTER PRESSURE (PS25-2)		1
26	98840237	VALVE, BALL, 1/4" NPTF x 1/4" NPTM		1
25	98840190	VALVE, RELIEF, 1/2", 40 PSI		1
24	98815204	UNION, "O" RING SEAL, GALV., 1/2"		2
23	98761651	TEE, GLVN., 1/2"		1
22	98751004	FITTING, MULTIPORT, 1/2x1/2x1/2x1/2x1/2		1
21	98604406	PLUG, IRON, SO. HD., 1/2"		1
20	98543230	NIPPLE, STEEL, GALV., 1/2" X 3"		1
19	98543223	NIPPLE, STEEL, GALV., 1/2" X 1-1/2"		3
18	98543212	NIPPLE, STEEL, GALV., 1/2" X CLOSE		1
17	98543210	NIPPLE, STEEL, GALV., 1/2" X 2-1/2"		1
16	98543209	NIPPLE, STEEL, GALV., 1/2" X 2"		1
15	98543207	NIPPLE, STEEL, GALV., 1/2" X 4"		1
14	98174408	ELBOW, STREET, 1/4", GALV.		1
13	98174401	ELL, 1/2", MALL IRON, GALV.		1
12	98174400	ELBOW, STREET, 1/2", GALV.		1
11	98048022	BUSHING, REDUCER, 3/4" X 1/2", GALV.		1
10	98048000	BUSHING, REDUCER, 1/2" x 1/4", GALV.		1
9	96816904	VALVE, CHECK, 1/2"		1
8	95306255	CLAMP, HOSE, 1/2" CONSTANT TENSION, ZINC		9
7	92606707	ELBOW ADAPTER, 90°, 1/2" O.D. TUBE X 1/2" NPT		1
6	92606704	ELBOW, 90°, 1/4" NPTM x 1/4" COMP.		1
5	92056810	CONNECTOR, 3/8" ID TUBE x 1/2" NPT		1
4	91206906	ELECT. BOX, 1 GANG, 1/2 NPT, 3 CONNECTIONS		1
3	71030010	MODEL LP PILOT LINE ACTUATOR		1
2	77000150	TRIM, BASIC, PREPAK 2"-3"		1
1	SEE P/N TABLE	SUB-ASSEMBLY, RISER		1

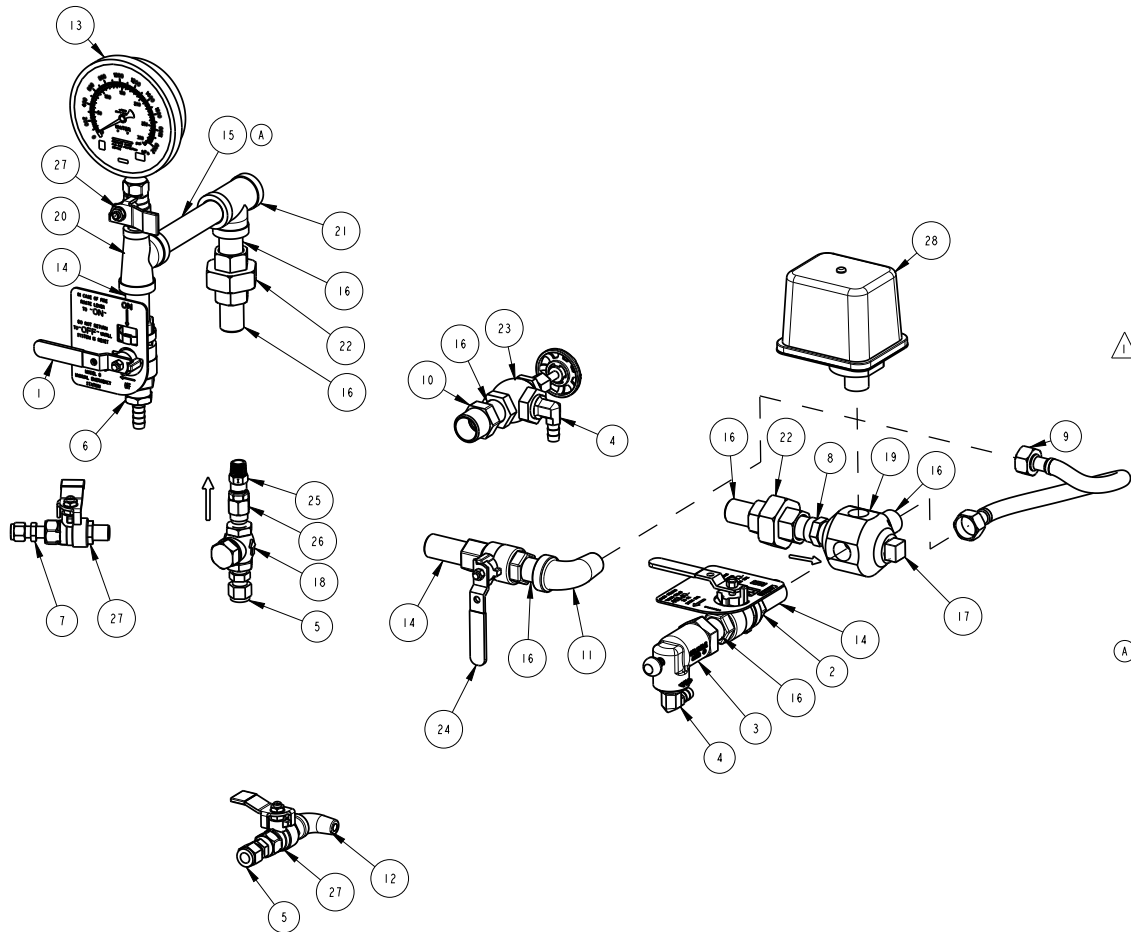
ITEM NO.	PART NO.	DESCRIPTION	REMARKS	QTY.
BILL OF MATERIALS				
MTL	N/A	THE RELIABLE AUTOMATIC SPRINKLER CO. INC. LIBERTY, S.C.		
FINISH:		PART NO: VARIOUS		DWG.SIZE: C
DO NOT SCALE DRAWING REMOVE BURRS, BREAK SHARP EDGES TOLERANCE UNLESS OTHERWISE SPECIFIED:		PART: RISER ASSEMBLY, TYPE F		
ANGLE ± 1/2 °	FRACT. ± 1/32 [0.79]	PRODUCT: 2"-3" DDX PREPAK, TYPE F		
MACH FINISH	DEC. XX ± .010 [0.25]	FILE NO	ENG: JJ	DRW BY: MK
CONC. T.J.R.	DEC. XXX ± .005 [0.13]	77006300	SCALE: 1:4	DATE: 02/09/17
SQUARENESS - PARALLELISM				SHEET 1 of 1



- NOTES:**
- 1. THREAD SEALANT NOT SHOWN. ALTERNATE THREAD SEALANT P/N 95516915.
 - 2. TEST PER RELIABLE SPEC NUMBER 10130.
 - 3. COUPLING NUTS ARE TO BE FACING THE FRONT OF ASSEMBLY.

THIS DRAWING CONTAINS INFORMATION PROPRIETARY TO THE RELIABLE AUTOMATIC SPRINKLER CORP. IT MAY NOT BE REPRODUCED NOR MAY ANY INFORMATION HEREON BE DISCLOSED TO OTHERS WITHOUT THE SPECIFIC WRITTEN PERMISSION OF RELIABLE.

REVISIONS			
LTR	DESCRIPTION	DATE	DRAWN BY
~	RELEASE FOR PROD. ERN #13861	04/09/18	MK
A	ECN #17783	10/01/18	MK



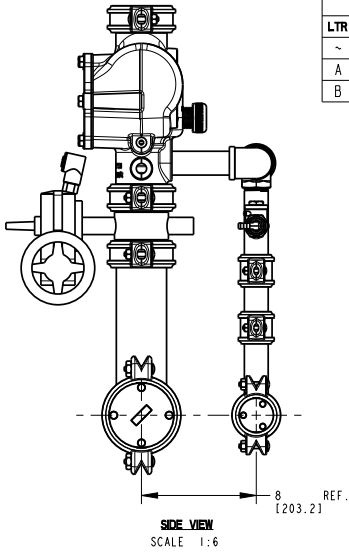
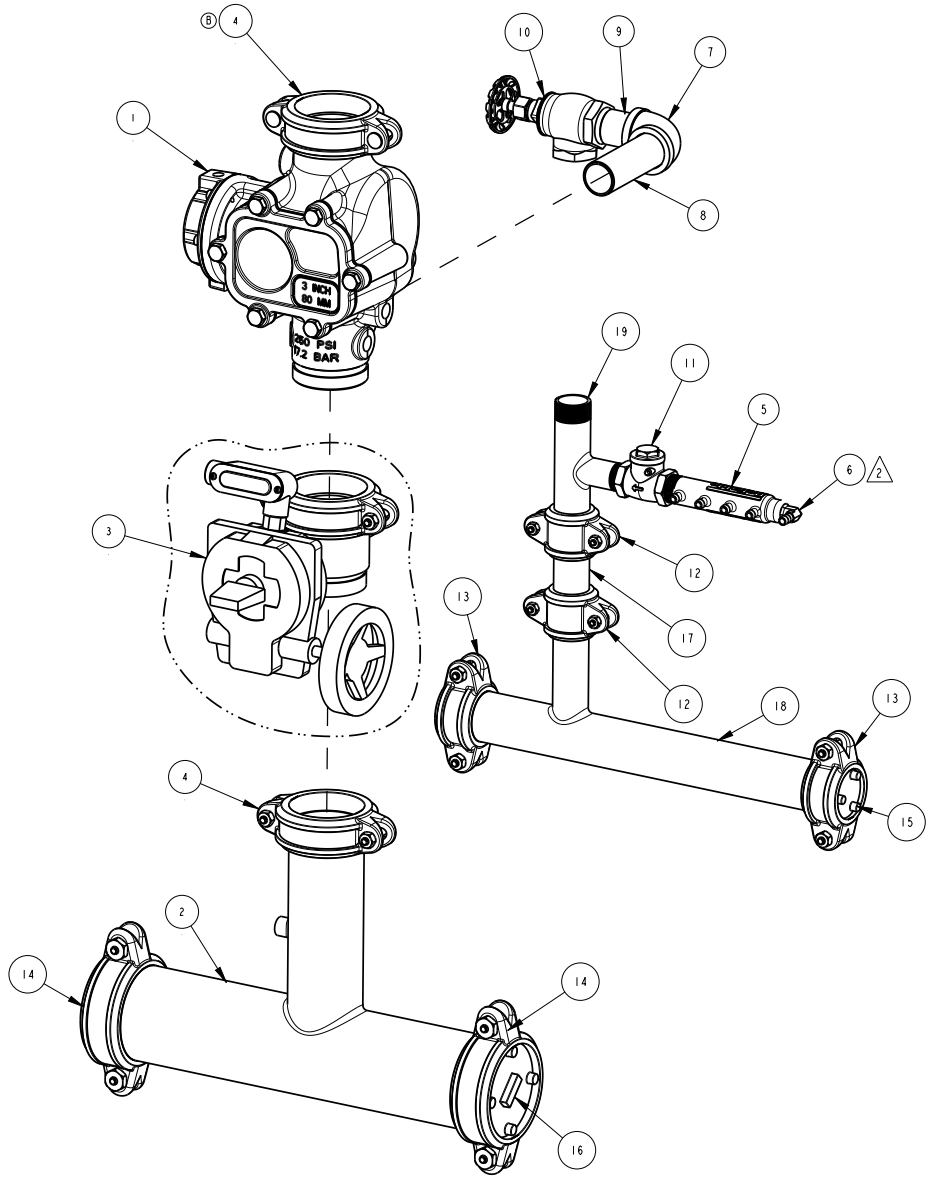
29	89097903	THREAD SEALANT		A/R
28	6990006382	SWITCH, PRESSURE (PS10-2)		1
27	98840237	VALVE, BALL, 1/4" NPTF x 1/4" NPTM		3
26	98840188	VALVE, CHECK, 1/4" NPTM x 1/4" NPTF		1
25	98840147	CHECK VALVE, 1/4" NPT, POPPET TYPE INLINE		1
24	98840109	VALVE, BALL, 1/2"		1
23	98840103	VALVE, ANGLE, 1/2"		1
22	98815200	UNION, 1/2", IRON, G.J., GALV.		2
21	98761651	TEE, GLVN., 1/2"		1
20	98761649	TEE, GLVN., 1/2 X 1/4 X 1/2		1
19	98751005	FITTING, MULTIORT, 3/4x1/2x1/2x1/2x1/2		1
18	98727607	STRAINER, 1/4"		1
17	98614401	PLUG, IRON, SQ. HD., 3/4"		1
16	98543223	NIPPLE, STEEL, GALV., 1/2" X 1-1/2"		7
15	98543228	NIPPLE, STEEL, GALV., 1/2" X 4-1/2"		1
14	98543209	NIPPLE, STEEL, GALV., 1/2" X 2"		3
13	98248001	GAUGE, WATER PRESSURE (0-300 PSI)		1
12	98174408	ELBOW, STREET, 1/4", GALV.		1
11	98174400	ELBOW, STREET, 1/2", GALV.		1
10	98048022	BUSHING, REDUCER, 3/4" X 1/2", GALV.		1
9	96920912	FLEX LINE, 12"		1
8	96816904	VALVE, CHECK, 1/2"		1
7	92500000	FITTING, 1/4" COMP x 1/4" NPTM		1
6	92056810	CONNECTOR, 3/8" ID TUBE x 1/2" NPT		1
5	92056735	3/8" OD X 1/4" NPT BRS COMP. FITTING, SWAGelok		2
4	92056704	CONNECTOR, ELBOW, 3/8" ID TUBE x 1/2" NPT		2
3	78653800	ASSEMBLY, BALL DRIP, 1/2"		1
2	78653004	ASSEMBLY, VALVE CAUTION STATION, 1/2"		1
1	78653000	ASSEMBLY, MANUAL EMERGENCY STATION		1

ITEM NO.	PART NO.	DESCRIPTION	REMARKS	QTY.
BILL OF MATERIALS				
MTL N/A		THE RELIABLE AUTOMATIC SPRINKLER CO., INC. LIBERTY, S.C.		
FINISH:		PART NO: 77000150	DWG SIZE: C	
DO NOT SCALE DRAWING REMOVE BURRS. BREAK SHARP EDGES TOLERANCE UNLESS OTHERWISE SPECIFIED: ANGLE ± 1/2 ° MACH FINISH CONC. SQUARENESS - PARALLELISM		PART: TRIM, BASIC, PREPAK 2"-3" PRODUCT: PREPAKS/DRYPAKS		
FILE NO: 77000150	ENG: JJ	DRW BY: MK	CK'D:	
SCALE: 1:3	DATE: 02/06/17		SHEET 1 of 1	

NOTES:
 ▲ THREAD SEALANT NOT SHOWN. ALTERNATE THREAD SEALANT P/N 95516915.

THIS DRAWING CONTAINS INFORMATION PROPRIETARY TO THE RELIABLE AUTOMATIC SPRINKLER CORP. IT MAY NOT BE REPRODUCED NOR MAY ANY INFORMATION HEREON BE DISCLOSED TO OTHERS WITHOUT THE SPECIFIC WRITTEN PERMISSION OF RELIABLE.

REVISIONS			
LTR	DESCRIPTION	DATE	DRAWN BY
~	RELEASE FOR PROD. ERN #13861	04/09/18	MK
A	ECN #18183	09/18/28	AW
B	ECN #19183	03/22/19	MK



PART NUMBER TABLE					
SIZE	SUB-ASSEMBLY P/N	ITEM 1 DDX VALVE	ITEM 2 MANIFOLD SUPPLY	ITEM 3 CONTROL VALVE	ITEM 4 RIGID COUPLING
2"	77000152	6103022000	91014219	77000301	7605080800
2-1/2"	77000153	6103022500	91014211	77000302	7605101000
3"	77000154	6103030000	91014212	77000303	7605121200

ITEM NO.	PART NO.	DESCRIPTION	REMARKS	QTY.
20	89097903	THREAD SEALANT	NOT SHOWN	A/R
19	9101423C	MANIFOLD, 1-1/4 X 1-1/4 X 1, GRV/THD/THD		1
18	9101422F	MANIFOLD, DRAIN, 2" X 1-1/4"		1
17	9100421J	SPOOL, DRAIN, CLEAR		1
16	7G35160000	CAP, COUPLING, 4"		1
15	7G35080000	CAP, COUPLING, 2"		1
14	7G05161600	COUPLING, RIGID, 4"		2
13	7G05080800	COUPLING, RIGID, 2"		2
12	7G05050500	COUPLING, RIGID, 1-1/4"		2
11	98840145	SWING CHECK VALVE, 1" NPT		1
10	98840106	VALVE, ANGLE, 1 1/4"		1
9	98543285	NIPPLE, STEEL, GALV., 1-1/4" X CLOSE		1
8	98543284	NIPPLE, STEEL, GALV., 1-1/4" X 5"		1
7	98174414	ELL, 1-1/4", MALL IRON, GALV.		1
6	92056704	CONNECTOR, ELBOW, 3/8" ID TUBE X 1/2" NPT		1
5	91004296	MANIFOLD, DRAIN, BARBED		1
4		COUPLING, RIGID		2
3	SEE P/N TABLE	SUBASSEMBLY, CONTROL VALVE		1
2		MANIFOLD, SUPPLY		1
1		ASSEMBLY, VALVE		1

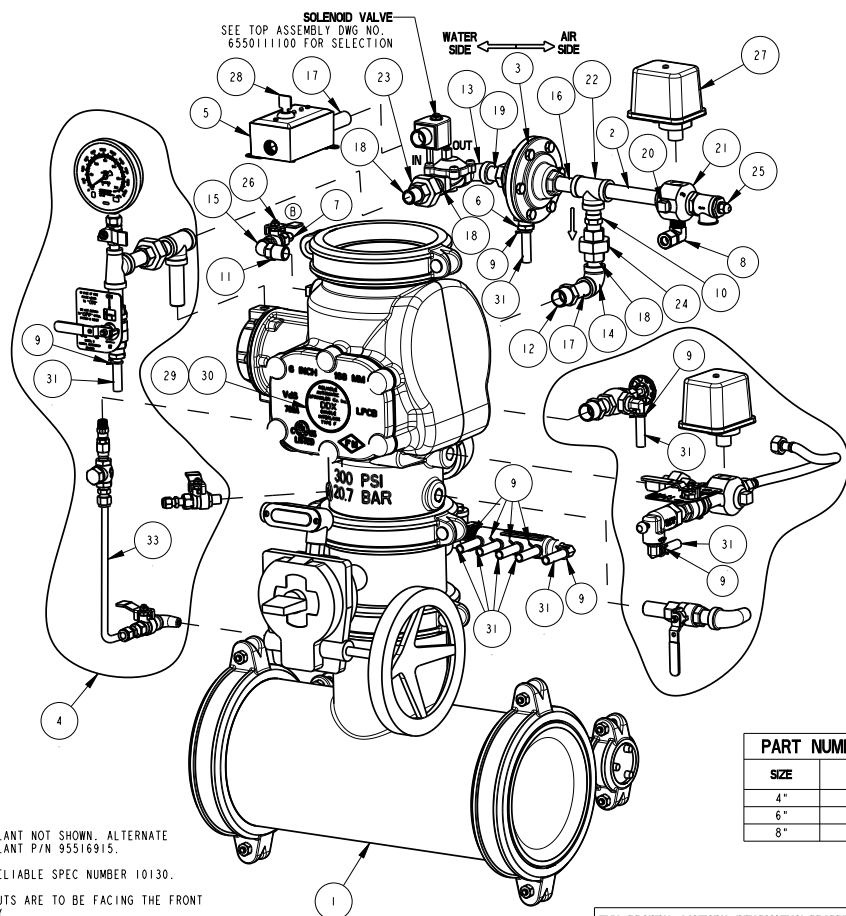
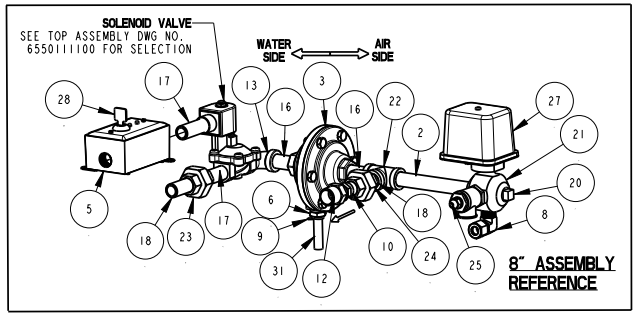
BILL OF MATERIALS

MTL N/A	THE RELIABLE AUTOMATIC SPRINKLER CO. INC. LIBERTY, SC.		
FINISH	PART NO: VARIOUS	DWS:SIZE: C	
DO NOT SCALE DRAWING REMOVE BURRS, BREAK SHARP EDGES TOLERANCE UNLESS OTHERWISE SPECIFIED:	PART: RISER SUB-ASSEMBLY		
ANGLE ± 1/2 63° MACH FINISH CONC. SQUARENESS - PARALLELISM	PRODUCT: 2"-3" PREPAK	FILE NO: 77000154	ENG: JJ DRW BY: MK SCALE: 1:4
		DEC. XX ± .010 [0.25] DEC. XXX ± .005 [0.13]	DRW BY: MK DATE: 02/06/17
			C/K/D: SHEET 1 of 1

- NOTES:**
- ① THREAD SEALANT NOT SHOWN. ALTERNATE THREAD SEALANT P/N 95516915.
 - ② IF AN AIR COMPRESSOR IS NOT INCLUDED WITHIN THE TOP ASSEMBLY, REPLACE ITEM #6 WITH A 1/2" PLUG P/N 98604406.

THIS DRAWING CONTAINS INFORMATION PROPRIETARY TO THE RELIABLE AUTOMATIC SPRINKLER CORP. IT MAY NOT BE REPRODUCED NOR MAY ANY INFORMATION HEREON BE DISCLOSED TO OTHERS WITHOUT THE SPECIFIC WRITTEN PERMISSION OF RELIABLE.

REVISIONS			
LTR	DESCRIPTION	DATE	DRAWN BY
~	RELEASE FOR PROD. ERN #13861	04/09/18	MK
A	ECN #17783	10/01/18	MK
B	ECN #19183	03/22/19	MK



SIZE	ASSEMBLY P/N
4"	77006400
6"	77006500
8"	77006600

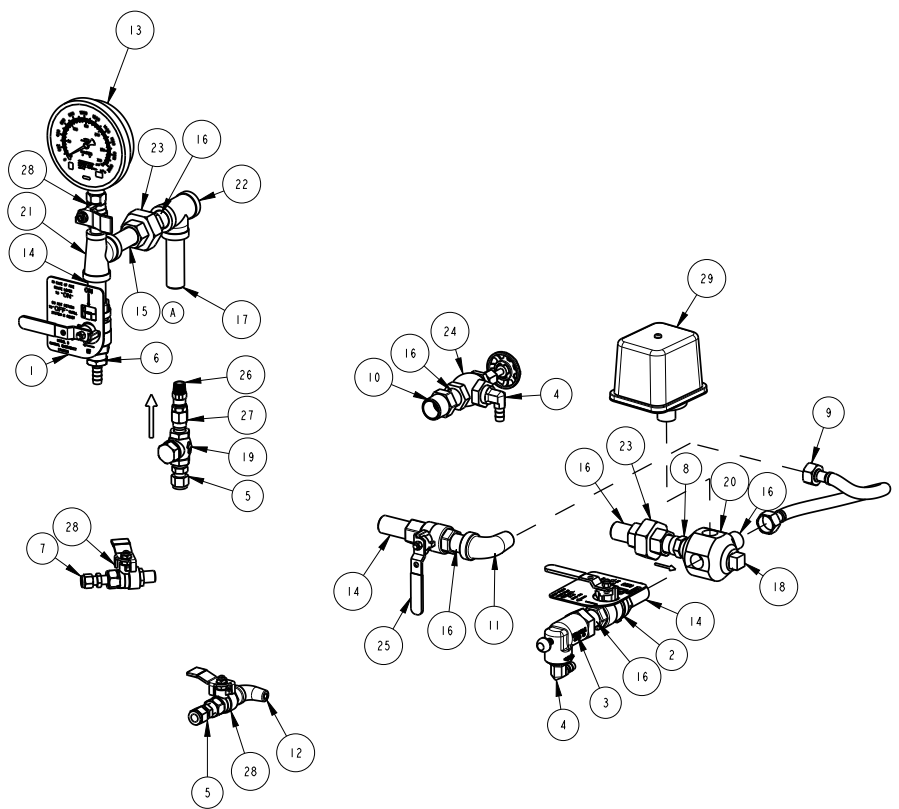
- NOTES:
1. THREAD SEALANT NOT SHOWN. ALTERNATE THREAD SEALANT P/N 95516915.
 2. TEST PER RELIABLE SPEC NUMBER 10130.
 3. COUPLING NUTS ARE TO BE FACING THE FRONT OF ASSEMBLY.

THIS DRAWING CONTAINS INFORMATION PROPRIETARY TO THE RELIABLE AUTOMATIC SPRINKLER CORP. IT MAY NOT BE REPRODUCED NOR MAY ANY INFORMATION HEREON BE DISCLOSED TO OTHERS WITHOUT THE SPECIFIC WRITTEN PERMISSION OF RELIABLE.

33	98768008	TUBING, COPPER		2 FT.
32	89097903	THREAD SEALANT	NOT SHOWN	A/R
31	96686701	TUBING, PVC, 3/8" ID		9 FT.
30	99080002	PAD-ADHESIVE		1
29	94616919	NAMEPLATE, DOUBLE INTERLOCK, TYPE F		1
28	6999996268	RCDS-1 RELEASE CKT DISABLE SWITCH		1
27	6990019313	SWITCH, POTTER PRESSURE (PS25-2)		1
26	98840237	VALVE, BALL, 1/4" NPT x 1/4" NPTM		1
25	98840190	VALVE, RELIEF, 1/2", 40 PSI		1
24	98815204	UNION, "O" RING SEAL, GALV., 1/2"		1
23	98815200	UNION, 1/2", IRON, G. J., GALV.		1
22	98761651	TEE, GLVN., 1/2"		1
21	98751004	FITTING, MULTIPORT, 1/2x1/2x1/2x1/2x1/2		1
20	98604406	PLUG, IRON, SO. HD., 1/2"		1
19	98543223	NIPPLE, STEEL, GALV., 1/2" X 1-1/2"	4" & 6" ONLY	1
18	98543212	NIPPLE, STEEL, GALV., 1/2" X CLOSE	1 QTY. FOR 8"	3
17	98543210	NIPPLE, STEEL, GALV., 1/2" X 2-1/2"		2
16	98543209	NIPPLE, STEEL, GALV., 1/2" X 2"	3 QTY. FOR 8"	1
15	98174408	ELBOW, STREET, 1/4", GALV.		1
14	98174401	ELL., 1/2", MALL IRON, GALV.	4" & 6" ONLY	1
13	98174400	ELBOW, STREET, 1/2", GALV.		1
12	98048022	BUSHING, REDUCER, 3/4" X 1/2", GALV.		1
11	98048000	BUSHING, REDUCER, 1/2" x 1/4", GALV.		1
10	96816904	VALVE, CHECK, 1/2"		1
9	95306255	CLAMP, HOSE, 1/2" CONSTANT TENSION, ZINC		9
8	92606707	ELBOW ADAPTER, 90°, 1/2" O.D. TUBE X 1/2" NPT		1
7	92606704	ELBOW, 90°, 1/4" NPTM x 1/4" COMP.		1
6	92056810	CONNECTOR, 3/8" ID TUBE x 1/2" NPT		1
5	91206906	ELECT. BOX, 1 GANG, 1/2 NPT, 3 CONNECTIONS		1
4	77000151	TRIM, BASIC, PREPAK 4"-8"		1
3	71030010	MODEL LP PILOT LINE ACTUATOR		1
2	98543228	NIPPLE, STEEL, GALV., 1/2" X 4-1/2"	6" & 8" ONLY	1
2	98543230	NIPPLE, STEEL, GALV., 1/2" X 3"	4" ONLY	1
1	77000157	RISER SUB-ASSEMBLY, 8"		1
1	77000156	RISER SUB-ASSEMBLY, 6"		1
1	77000155	RISER SUB-ASSEMBLY, 4"		1

ITEM NO.	PART NO.	DESCRIPTION	REMARKS	QTY.
BILL OF MATERIALS				
MTL: N/A		THE RELIABLE AUTOMATIC SPRINKLER CO., INC. LIBERTY, SC.		
FINISH:		PART NO: SEE TABLE (B)	DWG SIZE: C	
DO NOT SCALE DRAWING REMOVE BURRS, BREAK SHARP EDGES TOLERANCE UNLESS OTHERWISE SPECIFIED: ANGLE ± 1/2 63° FRACT. ± 1/32 [0.79] MACH. FINISH DEC. XX ± .00 [0.25] CONC. T.J.R. DEC. XXX ± .005 [0.13] SQUARENESS - PARALLELISM		PART: RISER ASSEMBLY, TYPE F		
		PRODUCT: PREPAKS TYPE F 4", 6", & 8"		
FILE NO: 77006500	ENGR: JJ	DRW BY: MK	CK'D:	
SCALE: 1:5	DATE: 5/22/17	SHEET 1 of 1		

REVISIONS			
LTR	DESCRIPTION	DATE	DRAWN BY
~	RELEASE FOR PROD. ERN #13861	04/09/18	MK
A	ECN #17783	10/01/18	MK



NOTES:
 ▲ THREAD SEALANT NOT SHOWN. ALTERNATE THREAD SEALANT P/N 95516915.

ITEM NO.	PART NO.	DESCRIPTION	REMARKS	QTY.
30	89097903	THREAD SEALANT	NOT SHOWN	A/R
29	6990006382	SWITCH, PRESSURE (PS10-2)		1
28	98840237	VALVE, BALL, 1/4" NPTF x 1/4" NPTM		3
27	98840188	VALVE, CHECK, 1/4" NPTM x 1/4" NPTF		1
26	98840147	CHECK VALVE, 1/4" NPT, POPPET TYPE INLINE		1
25	98840109	VALVE, BALL, 1/2"		1
24	98840103	VALVE, ANGLE, 1/2"		1
23	98815200	UNION, 1/2", IRON, G.J., GALV.		2
22	98761651	TEE, GLVN., 1/2"		1
21	98761649	TEE, GLVN., 1/2 X 1/4 X 1/2		1
20	98751005	FITTING, MULTI PORT, 3/4x1/2x1/2x1/2x1/2		1
19	98727607	STRAINER, 1/4"		1
18	98614401	PLUG, IRON, SO. HD., 3/4"		1
17	98543230	NIPPLE, STEEL, GALV., 1/2" X 3"		1
16	98543223	NIPPLE, STEEL, GALV., 1/2" X 1-1/2"		6
15	98543210	NIPPLE, STEEL, GALV., 1/2" X 2-1/2"		1
14	98543209	NIPPLE, STEEL, GALV., 1/2" X 2"		3
13	98248001	GAUGE, WATER PRESSURE (0-300 PSI)		1
12	98174408	ELBOW, STREET, 1/4", GALV.		1
11	98174400	ELBOW, STREET, 1/2", GALV.		1
10	98048022	BUSHING, REDUCER, 3/4" X 1/2", GALV.		1
9	96920912	FLEX LINE, 1/2"		1
8	96816904	VALVE, CHECK, 1/2"		1
7	92500000	FITTING, 1/4" COMP x 1/4" NPTM		1
6	92056810	CONNECTOR, 3/8" ID TUBE x 1/2" NPT		1
5	92056735	3/8" OD X 1/4" NPT BRS COMP. FITTING, SWAGelok		2
4	92056704	CONNECTOR, ELBOW, 3/8" ID TUBE x 1/2" NPT		2
3	78653800	ASSEMBLY, BALL DRIP, 1/2"		1
2	78653004	ASSEMBLY, VALVE CAUTION STATION, 1/2"		1
1	78653000	ASSEMBLY, MANUAL EMERGENCY STATION		1

BILL OF MATERIALS

MTL N/A	THE RELIABLE AUTOMATIC SPRINKLER CO. INC. LIBERTY, S.C.			
FINISH	PART NO: 77000151	DWG SIZE: C		
DO NOT SCALE DRAWING REMOVE BURRS, BREAK SHARP EDGES TOLERANCE UNLESS OTHERWISE SPECIFIED:	PART: TRIM, BASIC, PREPAK 4"-8"			
ANGLE ± 1/2 ° MACH. FINISH CONC. SQUARENESS - PARALLELISM	FRACT. ± 1/32 (0.79) DEC. XX ± .010 (0.25) DEC. XXX ± .005 (0.13)	FILE NO: 77000151	ENG: JJ SCALE: 1:4	DRW BY: MK DATE: 05/22/17
				C'KD: SHEET 1 of 1

THIS DRAWING CONTAINS INFORMATION PROPRIETARY TO THE RELIABLE AUTOMATIC SPRINKLER CORP. IT MAY NOT BE REPRODUCED NOR MAY ANY INFORMATION HEREON BE DISCLOSED TO OTHERS WITHOUT THE SPECIFIC WRITTEN PERMISSION OF RELIABLE.

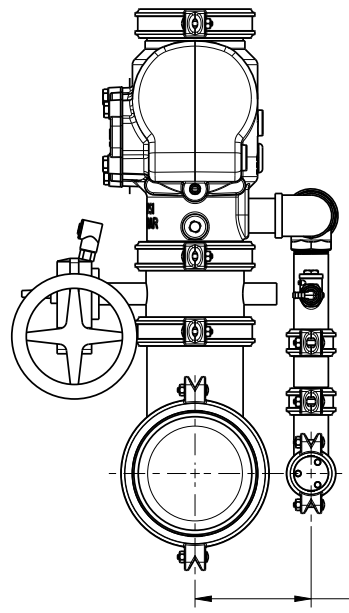
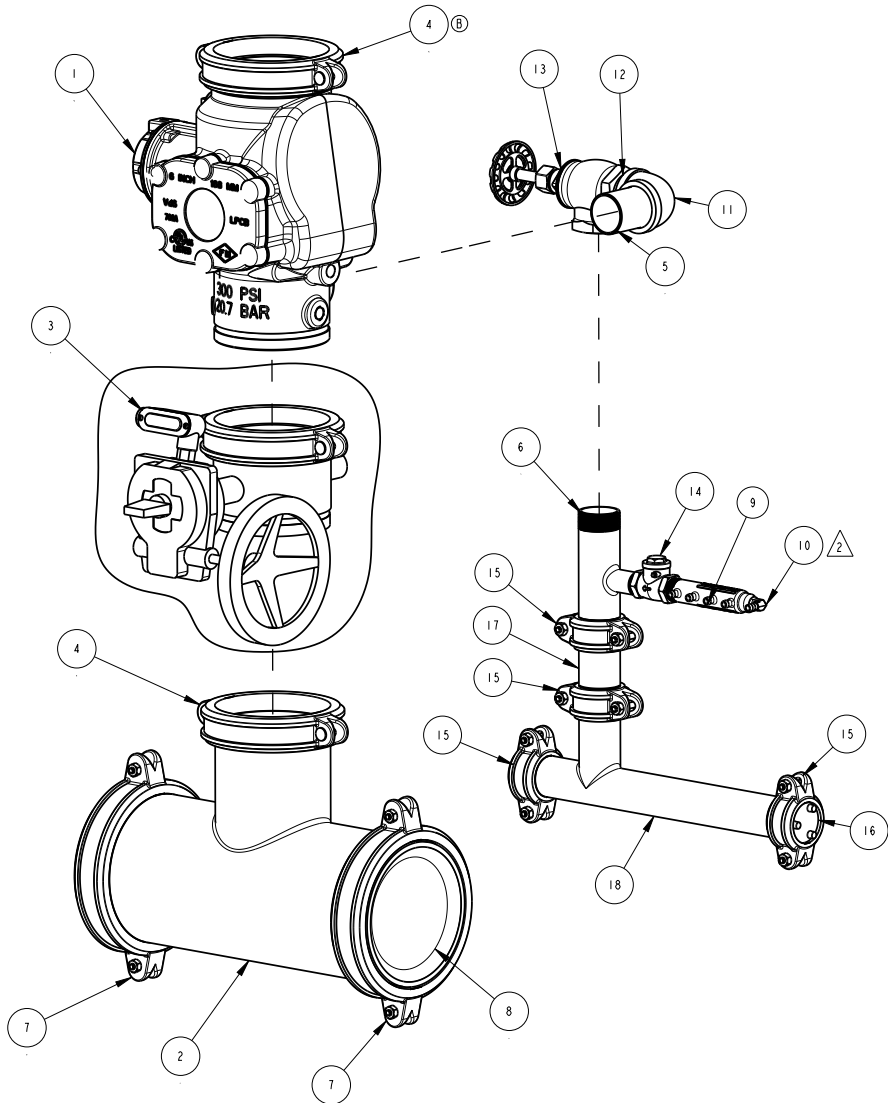
4

3

2

1

REVISIONS			
LTR	DESCRIPTION	DATE	DRAWN BY
~	RELEASE FOR PROD. ERN #13861	04/09/18	MK
A	ECN #18183	09/28/18	AW
B	ECN #19183	03/22/19	MK



ITEM NO.	PART NO.	DESCRIPTION	REMARKS	QTY.
19	89097903	THREAD SEALANT	NOT SHOWN	A/R
18	9101423A	MANIFOLD, DRAIN, 2"		1
17	9100421E	SPOOL, DRAIN, CLEAR		1
16	7G35080000	CAP, COUPLING, 2"		1
15	7G05080800	COUPLING, RIGID, 2"		4
14	98840145	SWING CHECK VALVE, 1" NPT		1
13	98840100	VALVE, ANGLE, 2"		1
12	98543238	NIPPLE, STEEL, GALV., 2" X CLOSE		1
11	98174405	ELL, 2", MALL IRON, GALV.		1
10	92056704	CONNECTOR, ELBOW, 3/8" ID TUBE x 1/2" NPT		1
9	91004296	MANIFOLD, DRAIN, BARBED		1
8		CAP, COUPLING		1
7		COUPLING, RIGID		2
6		MANIFOLD, GRV/THD/THD		1
5		NIPPLE, STEEL, GALV.		1
4		COUPLING, RIGID		2
3		SUBASSEMBLY, CONTROL VALVE		1
2		MANIFOLD, SUPPLY		1
1		ASSEMBLY, VALVE		1

PART NUMBER TABLE									
SIZE	SUB-ASSEMBLY P/N	ITEM 1 DDX VALVE	ITEM 2 MANIFOLD SUPPLY	ITEM 3 CONTROL VALVE	ITEM 4 RIGID COUPLING	ITEM 5 PIPE NIPPLE, STEEL, GALV.	ITEM 6 MANIFOLD, GRV/THD/THD	ITEM 7 RIGID COUPLING	ITEM 8 COUPLING CAP
4"	77000155	6103040026	91014205	77000304	7G05161600	98543262 (2" x 3-1/2")	9101423B	7G05161600	7G35160000
6"	77000156	6103060024	9101421P	77000306	7G05242400	98543208 (2" x 3")	9101423D	7G05323200	7G35320000
8"	77000157	6103080003	91014295	77000308	7G05323200	98543238 (2" x CLOSE)	9101423D	7G05323200	7G35320000

BILL OF MATERIALS

MTL N/A	THE RELIABLE AUTOMATIC SPRINKLER CO. INC. LIBERTY, SC.	
FINISH:	PART NO: SEE TABLE	DWG.SIZE: C
DO NOT SCALE DRAWING REMOVE BURRS, BREAK SHARP EDGES TOLERANCE UNLESS OTHERWISE SPECIFIED:	PRODUCT: 4"-8" PREPAK	
ANGLE ± 1/2 MACH FINISH CONC. T.I.R. SQUARENESS - PARALLELISM	FILE NO: 77000156	ENG: JJ DRW BY: MK C'KD: SCALE: 1:5 DATE: 05/22/17 SHEET 1 of 1

NOTES:
 1. THREAD SEALANT NOT SHOWN. ALTERNATE THREAD SEALANT P/N 95516915.
 2. IF AN AIR COMPRESSOR IS NOT INCLUDED WITHIN THE TOP ASSEMBLY, REPLACE ITEM #10 WITH A 1/2" PLUG P/N 98604406.

THIS DRAWING CONTAINS INFORMATION PROPRIETARY TO THE RELIABLE AUTOMATIC SPRINKLER CORP. IT MAY NOT BE REPRODUCED NOR MAY ANY INFORMATION HEREON BE DISCLOSED TO OTHERS WITHOUT THE SPECIFIC WRITTEN PERMISSION OF RELIABLE.

4

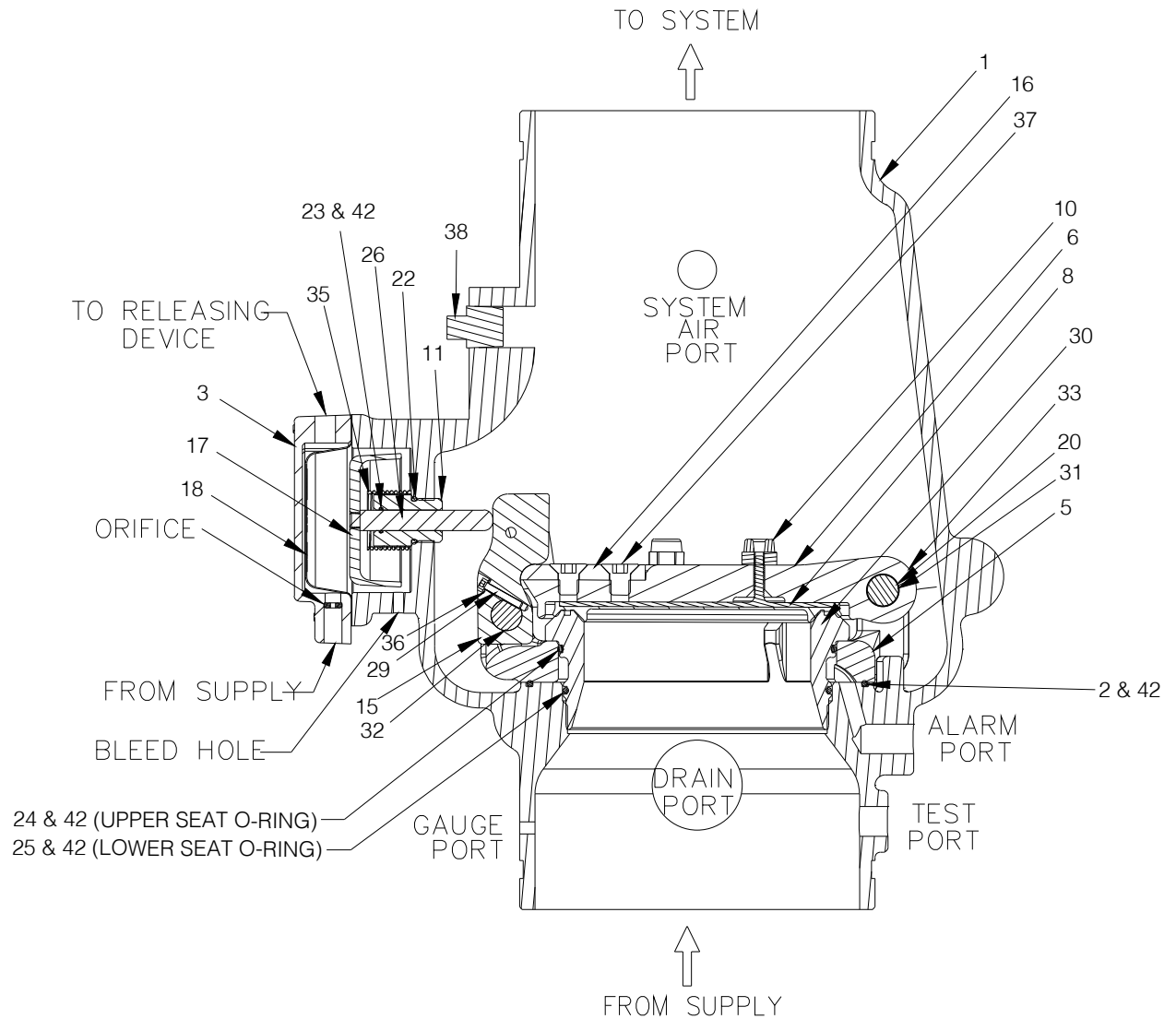
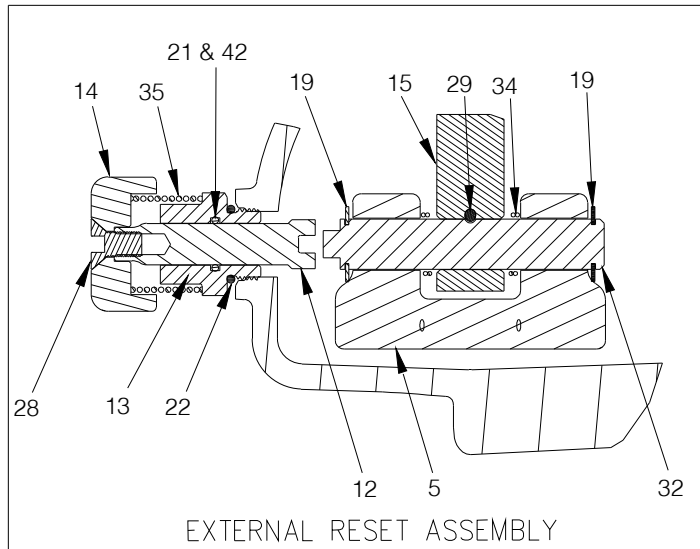
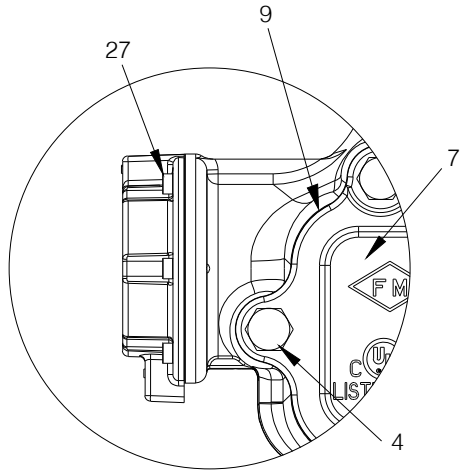
3

2

1

MODEL DDX VALVE WITH STAINLESS STEEL SCREW-IN SEAT

IMPORTANT NOTE: Early generation 4" and 6" DDX valves may incorporate a brass drop-in seat. Prior to ordering replacement parts, confirm the presence of a stainless steel screw-in seat or brass drop-in seat. For replacement parts for valves with brass drop-in seat, please contact Reliable Sprinkler Company Technical Services (techserv@reliablesprinkler.com)



Model DDX (Screw-In Seat Configuration) Deluge Valves Parts List

Item No.	Part No.								Part Description	QTY.	Material
	2" (50mm)	2½" (65mm)	76mm	3" (80mm)	4" (100mm)	165mm	6" (150mm)	8" (200mm)			
1	91006011	91006012	91006023	91006013	91006005	91006027	91006007	91006028	Valve Body Groove/Groove	1	Ductile Iron 65-45-12
	N/A	N/A	N/A	N/A	91006045	N/A	91006067	N/A	Valve Body Flange/Groove		
	N/A	N/A	N/A	N/A	91006035	N/A	91006037	91006039	Valve Body Flange/Flange		
2	N/A	N/A	N/A	N/A	N/A	N/A	N/A	95406414	O-ring (Mounting Ring)	1	Buna-N
3	71040416								Pushrod Cover Assembly	1	Ductile Iron 65-45-12 & Brass C360000
4	91106123			N/A	N/A	N/A	N/A		Hex Bolt ½"-13 x 1¼"	6	Zinc Plated Steel
	N/A			95606107	N/A	N/A	N/A		Hex Bolt ½"-13 x 1½"	6	
	N/A			N/A	91106006	N/A	N/A		Hex Bolt ¾"-11 x 1¾"	6	
	N/A			N/A	N/A	N/A	95606110		Hex Bolt ¾"-11 x 2"	8	
5	91306013			91306014	91306016	91306018		Mounting Ring	1	Stainless Steel CF8 or CF8M	
6	91916003			91916014	91916016	91916008		Clapper	1	Stainless Steel CF8 or CF8M	
7	92116063			92116064	92116065	92116066	92116068	Access Cover	1	Ductile Iron 65-45-12	
8	93416003			93416014	93416016	93416008		Seal Assembly	1	Stainless Steel 304 & EPDM	
9	93706003			93706004	93706006	93706008		Access Cover Gasket	1	Buna-N or Neoprene	
10	93722000			93722000	N/A	N/A		Bumpstop Assembly	1	Stainless Steel UNS S31600 & EPDM	
	N/A			N/A	93722000	N/A			2		
	N/A			N/A	N/A	93722000			3		
11	93916006			93916006				Pushrod Guide	1	Acetal	
12	93916066			93916066				Reset Shaft	1	Brass UNS C36000	
13	94106066			94106066				Reset Housing	1	Brass UNS C36000	
14	94356006			94356006				Reset Knob	1	Aluminum 6061	
15	94506003			94506004	94506016	94506008		Lever	1	Stainless Steel UNS S17400	
16	95006414			94006412	95006410	95006410		Striker	1	Aluminum Bronze C95400	
17	95106006			95106006				Piston	1	Stainless Steel CF8M	
18	95276006			95276006				Diaphragm	1	EPDM & Polyester	
19	95306267			N/A	N/A	N/A	N/A		Retaining Ring, ⅜" Shaft, Lever Pin	2	Stainless Steel 15-7 or 17-7
	N/A			95306267	N/A	N/A	N/A		Retaining Ring, ½" Shaft, Lever Pin		
	N/A			N/A	95306269	N/A	N/A		Retaining Ring, ⅝" Shaft, Lever Pin		
	N/A			N/A	N/A	95316408	N/A		Retaining Ring, ¾" Shaft, Lever Pin		
20	95306268			N/A	N/A	N/A		Retaining Ring, ⅜" Shaft, Hinge Pin	2	Stainless Steel 15-7 or 17-7	
	N/A			95306267	95306267	N/A		Retaining Ring, ½" Shaft, Hinge Pin			
	N/A			N/A	N/A	95316408		Retaining Ring, ¾" Shaft, Hinge Pin			
21	95406007			95406007				O-Ring, Reset Housing ID	1	Buna-N	
22	95406024			95406024				O-Ring, Reset Housing & Pushrod Guide OD	2	Buna-N	
23	95406407			95406407				O-Ring, Pushrod Guide ID	1	Buna-N	
24	95406410			95406409	95436126	95406413		O-Ring, Upper Seat	1	Buna-N	
25	95406411			95406420	95446226	95406412		O-Ring, Lower Seat	1	Buna-N	
26	95506006			95506006				Pushrod	1	Stainless Steel UNS S30300	
27	95606114			95606114				Socket Head Screw, ¼"-20 x ⅝"	6	Steel	
28	95606127			95606127				Flat Head Socket Cap Screw ⅜"-16 x ¾"	1	Steel	
29	95606133			N/A	N/A	N/A		Socket Head Screw #6-32 x ½"	1	Stainless Steel 18-8	
	N/A			95606130	95606130	95606130		Socket Head Screw #10-32 x 1"		Stainless Steel UNS S31600	
30	96016003			96016014	96016016	96016008		Seat	1	Stainless Steel CF8M	
31	96206003			N/A	N/A	N/A		Hinge Pin	1	Stainless Steel UNS S30400	
	N/A			96216086	9216086	96206008				Stainless Steel UNS S21800	
32	96216003			N/A	N/A	N/A		Lever Pin	1	Stainless Steel UNS S17400	
	N/A			96216044	96216047	96216008				Stainless Steel UNS S21800	
33	96310003			96906904	96906904	96310008		Clapper Spacer	2	Teflon or Acetal	
34	96406003			N/A	N/A	N/A		Lever Spring	1	Stainless Steel UNS S30400	
	N/A			96406004	96406005	96406008				Stainless Steel UNS S31600	
35	96406906			96406906				Piston/ Reset Spring	2	Stainless Steel UNS S31600	
36	96906112			N/A	N/A	N/A		Spring Lock Washer, #6	1	Stainless Steel 18-8	
	N/A			96906111	96906111	96906111		Spring Lock Washer, #10		Stainless Steel UNS S31600	
37	95606140			N/A	N/A	N/A		Flat Head Socket Cap Screw ¼"-20 x ½"	2	Stainless Steel 18-8	
	N/A			95606139	N/A	N/A				Stainless Steel UNS S31600	
	N/A			N/A	N/A	95606135		Flat Head Socket Cap Screw ½"-13 x ¾"	Stainless Steel UNS S31600		
38	98604402			98604402				Plug, ½" NPT	1	Steel	
39	94616921			94616921				Knob Caution Label (Not Shown)	1	Polystyrene	
40	91556922			91556922				Ball Chain, 1/8" (Not Shown) (Length is in Inches)	6	Nickel Plated Brass	
41	91556923			91556923				Clamping Link, Ball Chain (Not Shown)	1		
42	699993406			699993406				O-Ring Grease, Dupont™ Krytox® GPL-205	A/R	Krytox®	