

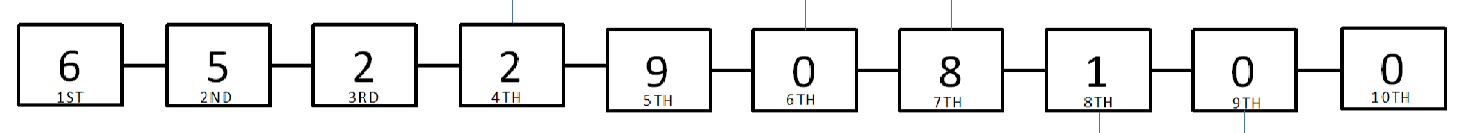
# DDX VALVE TRIMS PART NUMBER CONFIGURATION

SELECTIONS IN **BOLD** ARE STANDARD OPTIONS

**DDX VALVE SIZE AND ENDS CONNECTION TYPE**  
 0 = NONE (NO VALVE, LOOSE AND SEGMENTED TRIM ONLY)<sup>1</sup>  
 1 = 2 1/2" GE X GE  
 2 = 2" GE X GE  
 3 = 3" GE X GE  
 5 = 76 MM GE X GE<sup>9</sup>

**TRIM FINISH<sup>4</sup>**  
 0 = GALVANIZED  
 1 = BLACK PIPE  
 2 = BRASS  
 3 = STAINLESS STEEL  
 4 = GALV. (U.S. SOURCED)  
 5 = BLACK PIPE (U.S. SOURCED)  
 6 = BRASS (U.S. SOURCED)  
 7 = STAINLESS STEEL (U.S. SOURCED)

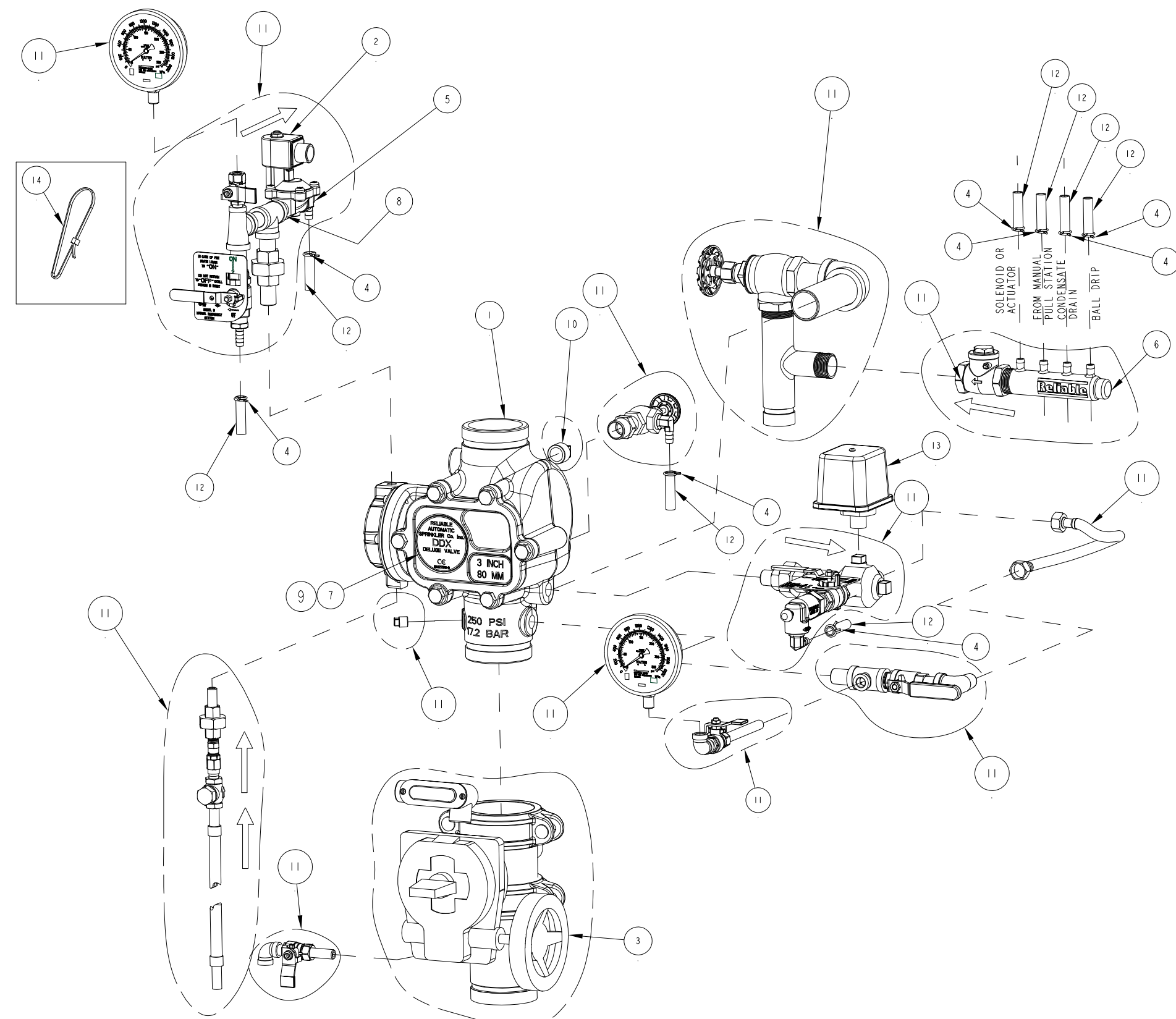
**ASSEMBLY CONFIGURATION, VALVE COLOR & INSTALLED CONTROL VALVE OPTIONS**  
 0 = LOOSE TRIM FOR 2"-3" VALVES<sup>1,5</sup>  
 2 = SEGMENTALLY ASSEMBLED FOR 2"-3" VALVES<sup>1,5</sup>  
 4 = FULLY ASSEM. TO BLACK DDX VALVE, W/O CONTROL VALVE  
 5 = FULLY ASSEM. TO RED DDX VALVE, W/O CONTROL VALVE  
 7 = FULLY ASSEM. TO RED CCCF APPROVED DDX VALVE, W/O CONTROL VALVE<sup>6</sup>  
 8 = FULLY ASSEM. TO BLACK DDX VALVE, WITH CONTROL VALVE  
 9 = FULLY ASSEM. TO RED DDX VALVE, WITH CONTROL VALVE  
 A = FULLY ASSEM. TO RED CCCF APPROVED DDX VALVE, WITH CONTROL VALVE<sup>6,7</sup>



- NOTES:**  
 1. FOR THE 4TH DIGIT, SELECT "0" FOR LOOSE OR SEGMENTED TRIMS. 7TH DIGIT MUST BE "0", OR "2".  
 2. STANDARD FLANGE TYPE IS CLASS 150 PER ASME B16.5.  
 3. (EMPTY)  
 4. GALVANIZED PIPE FITTINGS ARE THE DEFAULT OFFERING. ALL OTHERS TRIM FINISHES ARE MAKE TO ORDER (MTO).  
 5. FOR LOOSE AND SEGMENTED ASSEMBLED TRIM CONFIGURATIONS, THE DDX VALVE IS SOLD SEPARATELY (SEE BULLETIN 519 FOR DDX VALVE'S PART NUMBER).  
 6. CHINA COMPULSORY CERTIFICATE FOR FIRE PRODUCTS.  
 7. FLANGED VALVES ARE NOT AVAILABLE WITH A CONTROL VALVE (REFER TO DIGIT #7).  
 8. (EMPTY)  
 9. 76 MM AND 165 MM ARE NOT AVAILABLE WITH A CONTROL VALVE (REFER TO DIGIT #7).

**SOLENOID VALVE**  
 0 = NONE  
 1 = 175 PSI  
 2 = 300 PSI  
 3 = 175 PSI EXPLOSION PROOF  
 4 = 300 PSI EXPLOSION PROOF

**SYSTEM PRESSURE SWITCH<sup>8</sup>**  
 0 = NONE  
 1 = POTTER FM, cULus APPROVED  
 2 = SYSTEM SENSOR FM/UL APPROVED  
 3 = SYSTEM SENSOR FM/ULC APPROVED  
 4 = POTTER, EXPLOSION PROOF



**DDX VALVE PART NUMBER TABLE**

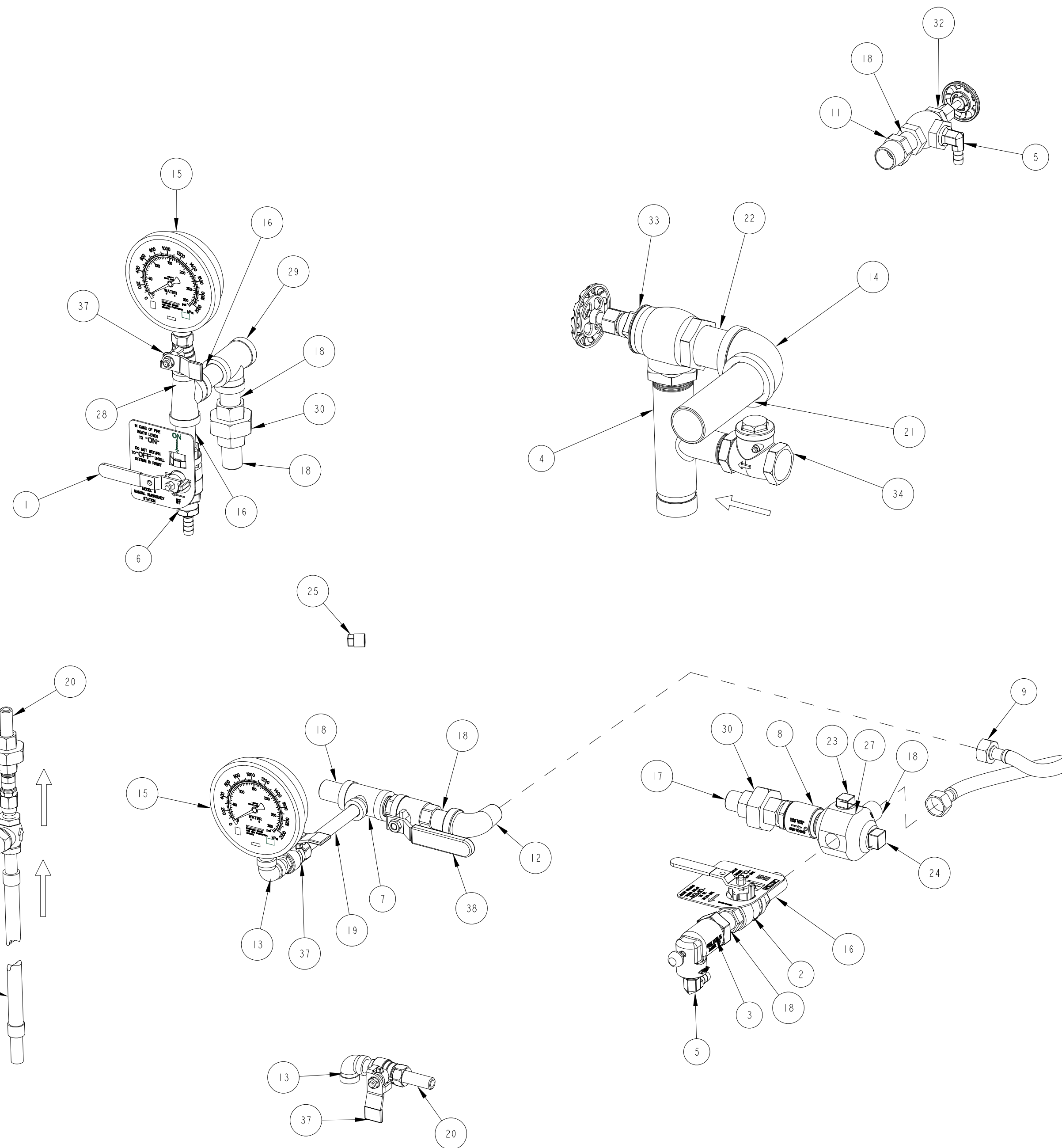
| DDX. VALVE                    | VALVE PART NUMBER | DRAWING FILE NUMBER |
|-------------------------------|-------------------|---------------------|
| 2" DUCTILE IRON G/G BLACK     | 6103022000        | 6103030000          |
| 2" DUCTILE IRON G/G RED       | 6103022001        |                     |
| 2-1/2" DUCTILE IRON G/G BLACK | 6103022500        |                     |
| 2-1/2" DUCTILE IRON G/G RED   | 6103022501        |                     |
| 3" DUCTILE IRON G/G BLACK     | 6103030000        |                     |
| 3" DUCTILE IRON G/G RED       | 6103030001        |                     |
| 76MM DUCTILE IRON G/G RED     | 6103027600        |                     |

MODEL DDX 2"-3" DELUGE ELECTRIC ACTUATION  
 CA-186 P/N 89241148 REV. G

| ITEM NO                  | PART NO.   | DESCRIPTION                               | QTY.                                    |
|--------------------------|------------|---|---|
| 14                       | 89141112   | TIE, RETAINING                            | 9                                       |
| 13                       | 6990006382 | SWITCH, POTTER PRESSURE (PS10-2)          | (ULC, UL, FM)                           |
|                          | 6990012997 | SWITCH, POTTER PRESSURE (PS10-EX)         | (ULC, UL, FM)                           |
|                          | 6999992360 | SWITCH, PRESSURE (EPSA10-2)               | (ULC)                                   |
|                          | 6999991212 | SWITCH, PRESSURE (EPS10-2)                | (UL/FM)                                 |
| 12                       | 96686756   | TUBING, PVC, 3/8" I.D. x 6 FT.            | 1                                       |
| 11                       | 77000263   | SUB-ASSEMBLY, TRIM, BASE, GALVANIZED PIPE | SEE CA-322 P/N 89241292                 |
| 10                       | 98614401   | PIPE, PLUG, IRON, SQUARE HEAD, 3/4        | 1                                       |
| 9                        | 99080002   | PAD-ADHESIVE, VALVE NAME PLATES           | 1                                       |
| 8                        | 98543223   | NIPPLE, 1/2X1-1/2, GALVANIZED STEEL       | 1                                       |
| 7                        | 94616915   | NAMEPLATE, DELUGE VALVE                   | 1                                       |
| 6                        | 91004294   | MANIFOLD, DRAIN, BARBED                   | 1                                       |
| 5                        | 92056704   | CONNECTOR, ELBOW, 3/8" ID TUBE x 1/2" NPT | 1                                       |
| 4                        | 95306255   | CLAMP, HOSE, 1/2" CONSTANT TENSION, ZINC  | 8                                       |
| 3                        | 77000253   | SUBASSEMBLY, CONTROL VALVE, 3"            | FULLY ASSEMBLED WITH CONTROL VALVE ONLY |
|                          | 77000251   | SUBASSEMBLY, CONTROL VALVE, 2-1/2"        |   |
|                          | 77000252   | SUBASSEMBLY, CONTROL VALVE, 2"            |   |
| 2                        | 6871020033 | VALVE, SOLENOID (300 PSI) EXPLOSION PROOF | 300 PSI EX. PROOF                       |
|                          | 6999990322 | VALVE, SOLENOID (175 PSI) EXPLOSION PROOF | 175 PSI EX. PROOF                       |
|                          | 6871020020 | VALVE, SOLENOID (300 PSI)                 | 300 PSI RATED                           |
|                          | 6871020000 | VALVE, SOLENOID (175 PSI)                 | 175 PSI RATED                           |
| 1                        | 6103022000 | ASSEMBLY, VALVE, 2"                       | 1                                       |
|                          | 6103022500 | ASSEMBLY, VALVE, 2-1/2"                   |   |
|                          | 6103030000 | ASSEMBLY, VALVE, 3"                       |   |
|                          | 6103027600 | ASSEMBLY, VALVE, 76MM                     |   |
| ITEM NO                  | PART NO.   | DESCRIPTION                               | QTY.                                    |
| <b>BILL OF MATERIALS</b> |            |   |   |

MODEL DDX 2"-3" BASIC TRIMS

CA-322 P/N 89241292 REV. B



|    |          |  |           |     |
|----|----------|--|-----------|-----|
| 39 | 95516915 | THREAD, SEALANT                                    | NOT SHOWN | A/R |
| 38 | 9884011A | VALVE, BALL, 1/2 NPTF X 1/2 NPTM                   |           | 1   |
| 37 | 98840237 | VALVE, BALL, 1/4" NPTF x 1/4" NPTM                 |           | 3   |
| 36 | 98840188 | VALVE, CHECK, 1/4" NPTM x 1/4" NPTF                |           | 1   |
| 35 | 98840147 | CHECK VALVE, 1/4, NPT, POPPET TYPE INLINE          |           | 1   |
| 34 | 98840145 | SWING CHECK VALVE, 1" NPT                          |           | 1   |
| 33 | 98840106 | VALVE, ANGLE, 1 1/4                                |           | 1   |
| 32 | 98840103 | VALVE, ANGLE, 1/2"                                 |           | 1   |
| 31 | 98815201 | UNION, 1/4, IRON, G.J., GALV.                      |           | 1   |
| 30 | 98815200 | UNION, 1/2, IRON, G.J., GALV.                      |           | 2   |
| 29 | 98761651 | TEE, 1/2X1/2X1/2, GALVANIZED                       |           | 1   |
| 28 | 98761649 | TEE, 1/2X1/4X1/2, GALVANIZED                       |           | 1   |
| 27 | 98751005 | FITTING, MULTIPORT, 3/4x1/2x1/2x1/2x1/2            |           | 1   |
| 26 | 98727607 | STRAINER, 1/4"                                     |           | 1   |
| 25 | 98614403 | PIPE, PLUG, IRON, SQUARE HEAD, 1/4                 |           | 1   |
| 24 | 98614401 | PIPE, PLUG, IRON, SQUARE HEAD, 3/4                 |           | 1   |
| 23 | 98604406 | PIPE, PLUG, IRON, SQUARE HEAD, 1/2                 |           | 1   |
| 22 | 98543285 | NIPPLE, 1-1/4XCLOSE, GALVANIZED STEEL              |           | 1   |
| 21 | 98543284 | NIPPLE, 1-1/4X5, GALVANIZED STEEL                  |           | 1   |
| 20 | 98543226 | NIPPLE, 1/4X1-1/2, GALVANIZED STEEL                |           | 2   |
| 19 | 98543224 | NIPPLE, 1/4X4-1/2, GALVANIZED STEEL                |           | 1   |
| 18 | 98543223 | NIPPLE, 1/2X1-1/2, GALVANIZED STEEL                |           | 7   |
| 17 | 98543212 | NIPPLE, 1/2XCLOSE, GALVANIZED STEEL                |           | 1   |
| 16 | 98543209 | NIPPLE, 1/2X2, GALVANIZED STEEL                    |           | 3   |
| 15 | 98248001 | GAUGE, WATER PRESSURE (0-300 PSI)                  |           | 1   |
| 14 | 98174414 | ELBOW, 1-1/4", MALL IRON, GALV.                    |           | 1   |
| 13 | 98174404 | ELBOW, 1/4", MALL IRON, GALV.                      |           | 2   |
| 12 | 98174400 | ELBOW, STREET, 1/2", GALV.                         |           | 1   |
| 11 | 98048022 | BUSHING, REDUCER, 3/4X1/2, GALVANIZED              |           | 1   |
| 10 | 96920944 | HOSE, FLEXIBLE, STAINLESS STEEL, 1/4 NPT X 18 LONG |           | 1   |
| 9  | 96920912 | FLEX LINE, 12                                      |           | 1   |
| 8  | 96816906 | VALVE, CHECK, MALE 1/2, MALE 1/2                   |           | 1   |
| 7  | 96606607 | TEE, 1/2X1/2X1/4, GALVANIZED                       |           | 1   |
| 6  | 92056810 | CONNECTOR, 3/8" ID TUBE x 1/2" NPT                 |           | 1   |
| 5  | 92056704 | CONNECTOR, ELBOW, 3/8" ID TUBE x 1/2" NPT          |           | 2   |
| 4  | 9101423C | MANIFOLD, 1-1/4 X 1-1/4 X 1, GRV/THD/THD           |           | 1   |
| 3  | 78653800 | ASSEMBLY, BALL DRIP, 1/2"                          |           | 1   |
| 2  | 78653004 | ASSEMBLY, VALVE CAUTION STATION, 1/2"              |           | 1   |
| 1  | 78653000 | ASSEMBLY, MANUAL EMERGENCY STATION                 |           | 1   |

| ITEM NO. | PART NO. | DESCRIPTION | REMARKS | QTY. |
|----------|----------|-------------|---------|------|
|----------|----------|-------------|---------|------|

BILL OF MATERIALS

# DDX VALVE TRIMS PART NUMBER CONFIGURATION

SELECTIONS IN **BOLD>** ARE STANDARD OPTIONS

### DDX VALVE SIZE AND ENDS CONNECTION TYPE

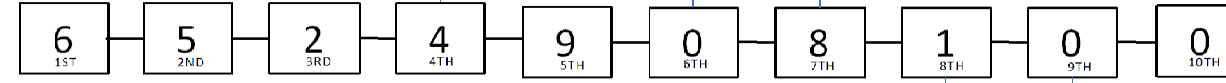
- 0 = NONE (NO VALVE, LOOSE AND SEGMENTED TRIM ONLY)<sup>1</sup>
- 4 = 4" GE X GE**
- 6 = 6" GE X GE**
- 7 = 165 MM GE X GE<sup>2</sup>
- 8 = 8" GE X GE
- A = 4" FLANGE<sup>2,7</sup> INLET X GE OUTLET**
- B = 4" FLANGE<sup>2,7</sup> INLET X FLANGE<sup>2,7</sup> OUTLET**
- C = 4" PN16 FLANGE<sup>2</sup> INLET X GE OUTLET
- D = 4" PN16 FLANGE<sup>2</sup> INLET X PN16 FLANGE<sup>2</sup> OUTLET
- E = 6" FLANGE<sup>2,7</sup> INLET X GE OUTLET**
- F = 6" FLANGE<sup>2,7</sup> INLET X FLANGE<sup>2,7</sup> OUTLET**
- G = 6" PN16 FLANGE<sup>2</sup> INLET X GE OUTLET
- H = 6" PN16 FLANGE<sup>2</sup> INLET X PN16 FLANGE<sup>2</sup> OUTLET
- I = 165 MM FLANGE<sup>2,7</sup> INLET X GE OUTLET
- J = 165 MM PN16 FLANGE<sup>2</sup> INLET X GE OUTLET
- K = 8" FLANGE<sup>2,7</sup> INLET X FLANGE<sup>2,7</sup> OUTLET**
- L = 8" PN16 FLANGE<sup>2</sup> INLET X PN16 FLANGE<sup>2</sup> OUTLET

### TRIM FINISH<sup>4</sup>

- 0 = GALVANIZED
- 1 = BLACK PIPE
- 2 = BRASS
- 3 = STAINLESS STEEL
- 4 = GALV. (U.S. SOURCED)
- 5 = BLACK PIPE (U.S. SOURCED)
- 6 = BRASS (U.S. SOURCED)
- 7 = STAINLESS STEEL (U.S. SOURCED)

### ASSEMBLY CONFIGURATION, VALVE COLOR & INSTALLED CONTROL VALVE OPTIONS

- 1 = LOOSE TRIM FOR 4"- 8" VALVES<sup>1,5</sup>
- 3 = SEGMENTALLY ASSEMBLED FOR 4"- 8" VALVES<sup>1,5</sup>
- 4 = FULLY ASSEM. TO BLACK DDX VALVE, W/O CONTROL VALVE**
- 5 = FULLY ASSEM. TO RED DDX VALVE, W/O CONTROL VALVE
- 7 = FULLY ASSEM. TO RED CCCF APPROVED DDX VALVE, W/O CONTROL VALVE<sup>5</sup>
- 8 = FULLY ASSEM. TO BLACK DDX VALVE, WITH CONTROL VALVE**
- 9 = FULLY ASSEM. TO RED DDX VALVE, WITH CONTROL VALVE<sup>5</sup>
- A = FULLY ASSEM. TO RED CCCF APPROVED DDX VALVE, WITH CONTROL VALVE<sup>6,7</sup>



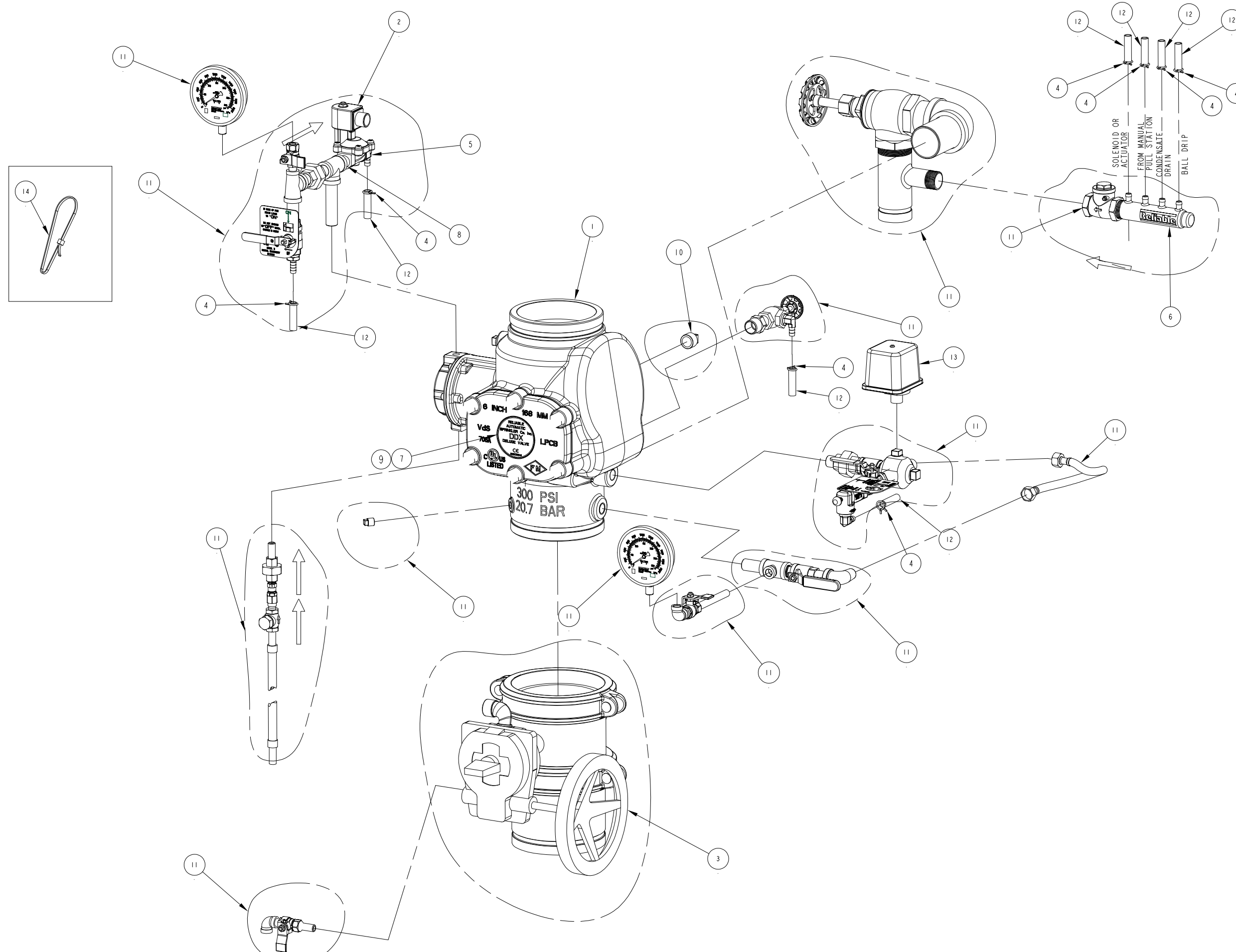
- NOTES:**
1. FOR THE 4TH DIGIT, SELECT "0" FOR LOOSE OR SEGMENTED TRIMS. 7TH DIGIT MUST BE "1", OR "3."
  2. STANDARD FLANGE TYPE IS CLASS 150 PER ASME B16.5.
  3. (EMPTY)
  4. GALVANIZED PIPE FITTINGS ARE THE DEFAULT OFFERING. ALL OTHERS TRIM FINISHES ARE MAKE TO ORDER (MTO).
  5. FOR LOOSE AND SEGMENTED ASSEMBLED TRIM CONFIGURATIONS, THE DDX VALVE IS SOLD SEPARATELY (SEE BULLETIN 519 FOR DDX VALVE'S PART NUMBER).
  6. CHINA COMPULSORY CERTIFICATE FOR FIRE PRODUCTS.
  7. FLANGED VALVES ARE NOT AVAILABLE WITH A CONTROL VALVE (REFER TO DIGIT #7).
  8. (EMPTY)
  9. 76 MM AND 165 MM ARE NOT AVAILABLE WITH A CONTROL VALVE (REFER TO DIGIT #7).

### SOLENOID VALVE

- 0 = NONE
- 1 = 175 PSI**
- 2 = 300 PSI
- 3 = 175 PSI EXPLOSION PROOF
- 4 = 300 PSI EXPLOSION PROOF

### SYSTEM PRESSURE SWITCH<sup>8</sup>

- 0 = NONE
- 1 = POTTER FM, cULus APPROVED
- 2 = SYSTEM SENSOR FM/UL APPROVED
- 3 = SYSTEM SENSOR FM/ULC APPROVED
- 4 = POTTER, EXPLOSION PROOF

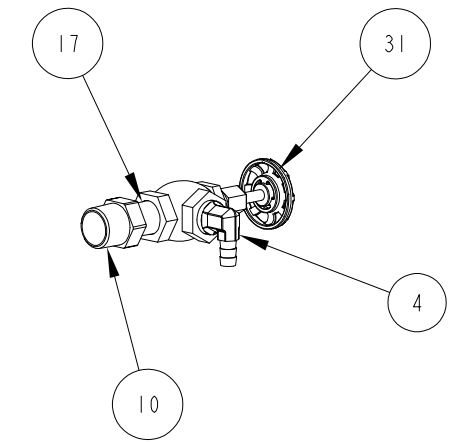
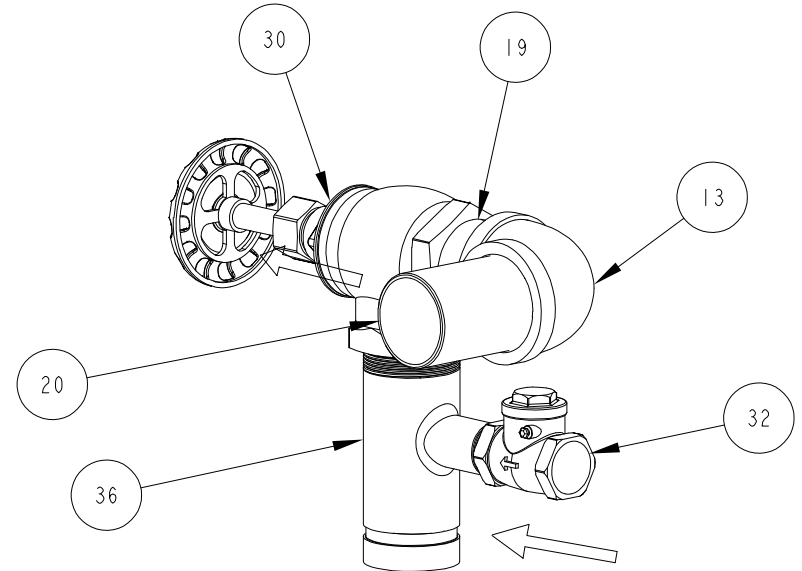
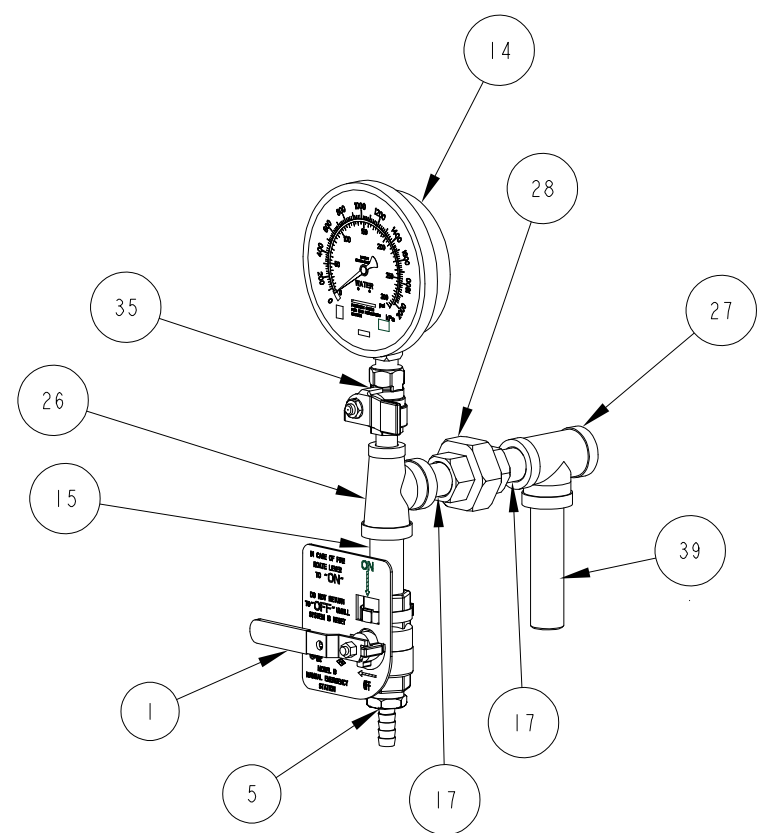


### DDX VALVE PART NUMBER TABLE

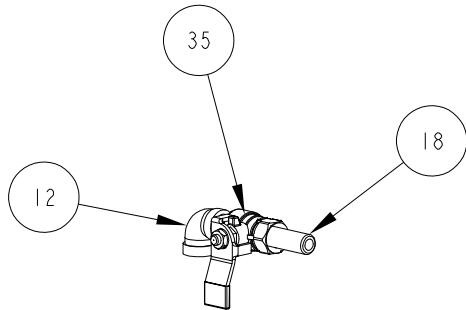
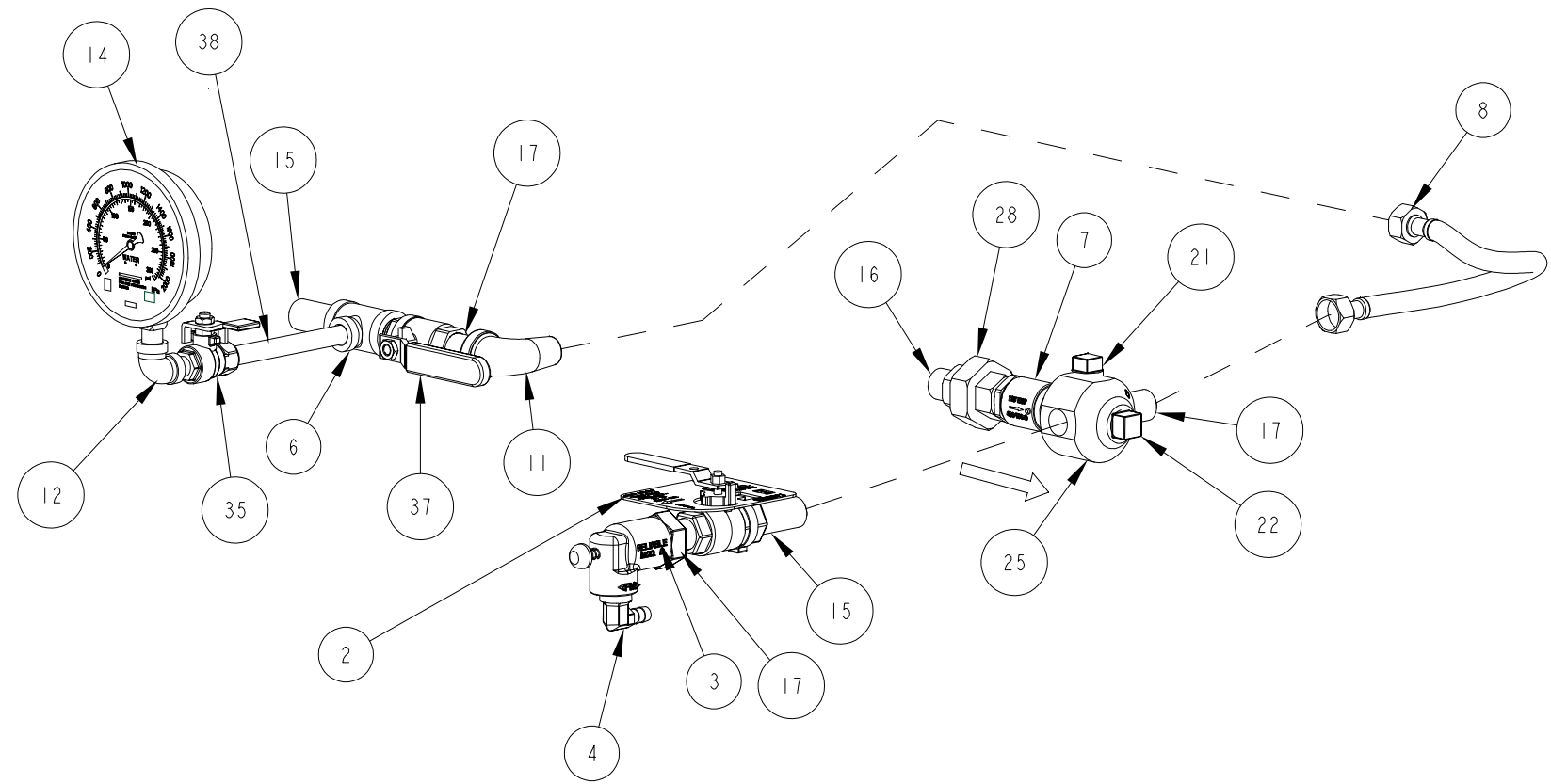
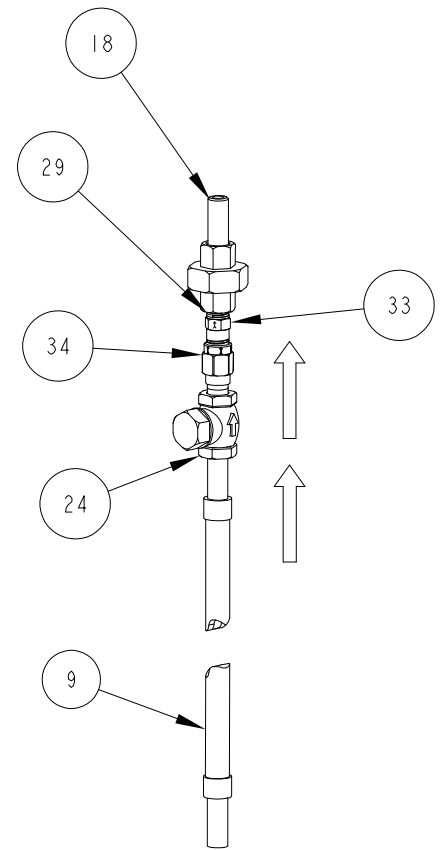
| DDX. VALVE                           | VALVE PART NUMBER | DRAWING FILE NUMBER |
|--------------------------------------|-------------------|---------------------|
| 4" DUCTILE IRON G/G BLACK            | 6103040026        | 6103040026          |
| 4" DUCTILE IRON G/G RED              | 6103040030        |                     |
| 4" DUCTILE IRON F/G CLASS 150 BLACK  | 6103040044        |                     |
| 4" DUCTILE IRON F/G CLASS 150 RED    | 6103040046        |                     |
| 4" DUCTILE IRON F/G PN16 RED         | 6103040048        |                     |
| 4" DUCTILE IRON F/F CLASS 150 BLACK  | 6103040045        |                     |
| 4" DUCTILE IRON F/F CLASS 150 RED    | 6103040047        | 6103060024          |
| 4" DUCTILE IRON F/F PN16 RED         | 6103040049        |                     |
| 6" DUCTILE IRON G/G BLACK            | 6103060024        |                     |
| 6" DUCTILE IRON G/G RED              | 6103060030        |                     |
| 6" DUCTILE IRON F/G CLASS 150 BLACK  | 6103060045        |                     |
| 6" DUCTILE IRON F/G CLASS 150 RED    | 6103060048        |                     |
| 6" DUCTILE IRON F/G PN16 RED         | 6103060049        | 6103060024          |
| 6" DUCTILE IRON F/F CLASS 150 BLACK  | 6103060046        |                     |
| 6" DUCTILE IRON F/F CLASS 150 RED    | 6103060047        |                     |
| 6" DUCTILE IRON F/F PN16 RED         | 6103060050        |                     |
| 165MM DUCTILE IRON G/G RED           | 6103060028        |                     |
| 165MM DUCTILE IRON F/G CLASS 150 RED | 6103060051        |                     |
| 165MM DUCTILE IRON F/G PN16 RED      | 6103060052        | 6103080001          |
| 8" DUCTILE IRON G/G BLACK            | 6103080001        |                     |
| 8" DUCTILE IRON G/G RED              | 6103080003        |                     |
| 8" DUCTILE IRON F/F CLASS 150 BLACK  | 6103080016        |                     |
| 8" DUCTILE IRON F/F CLASS 150 RED    | 6103080018        |                     |
| 8" DUCTILE IRON F/F PN16 RED         | 6103080020        |                     |

MODEL DDX 4", 6" & 8" DELUGE ELECTRIC ACTUATION  
CA-154 P/N 89241118 REV. N

| ITEM NO. | PART NO.                            | DESCRIPTION                               | REMARKS                                 | QTY. |
|----------|-------------------------------------|---|---|------|
| 15       | 95516915                            | PERMA-LOK                                 |   | A/R  |
| 14       | 89141112                            | TIE, RETAINING                            |   | 9    |
| 13       | 699006382                           | SWITCH, POTTER PRESSURE (PS10-2)          | (ULC, UL, FM)                           | 1    |
|          | 6990012997                          | SWITCH, POTTER PRESSURE (PS10-EX)         | (ULC, UL, FM)                           |      |
|          | 6999992360                          | SWITCH, PRESSURE (EPSA10-2)               | (ULC)                                   |      |
|          | 6999991212                          | SWITCH, PRESSURE (EPS10-2)                | (UL/FM)                                 |      |
| 12       | 96686756                            | TUBING, PVC, 3/8" I.D. x 6 FT.            |   | 1    |
| 11       | 77000266                            | SUB-ASSEMBLY, TRIM, BASE, GALVANIZED PIPE | SEE CA-323 P/N 89241293                 | 1    |
| 10       | 98614401                            | PIPE, PLUG, IRON, SQUARE HEAD, 3/4        |   | 1    |
| 9        | 99080002                            | PAD-ADHESIVE, VALVE NAME PLATES           |   | 1    |
| 8        | 98543223                            | NIPPLE, 1/2X1-1/2, GALVANIZED STEEL       |   | 1    |
| 7        | 94616915                            | NAMEPLATE, DELUGE VALVE                   |   | 1    |
| 6        | 91004294                            | MANIFOLD, DRAIN, BARBED                   |   | 1    |
| 5        | 92056704                            | CONNECTOR, ELBOW, 3/8" ID TUBE x 1/2" NPT |   | 1    |
| 4        | 95306255                            | CLAMP, HOSE, 1/2" CONSTANT TENSION, ZINC  |   | 8    |
| 3        | 77000258                            | SUBASSEMBLY, CONTROL VALVE, 8"            | FULLY ASSEMBLED WITH CONTROL VALVE ONLY | 1    |
|          | 77000256                            | SUBASSEMBLY, CONTROL VALVE, 6"            |   |      |
|          | 77000254                            | SUBASSEMBLY, CONTROL VALVE, 4"            |   |      |
| 2        | 6871020033                          | VALVE, SOLENOID (300 PSI) EXPLOSION PROOF | 300 PSI EX. PROOF                       | 1    |
|          | 6999990322                          | VALVE, SOLENOID (175 PSI) EXPLOSION PROOF | 175 PSI EX. PROOF                       |      |
|          | 6871020020                          | VALVE, SOLENOID (300 PSI)                 | 300 PSI RATED                           |      |
|          | 6871020000                          | VALVE, SOLENOID (175 PSI)                 | 175 PSI RATED                           |      |
| 1        | SEE TRIMS PART NUMBER CONFIGURATION | ASSEMBLY, VALVE, 8" (200MM)               |   | 1    |
|          |                                     | ASSEMBLY, VALVE, 4" (100MM)               |   |      |
|          |                                     | ASSEMBLY, VALVE, 6" (150MM)               |   |      |
|          |                                     | ASSEMBLY, VALVE, 165MM                    |   |      |
| ITEM NO. | PART NO.                            | DESCRIPTION                               | REMARKS                                 | QTY. |



**MODEL DDX 4", 6" & 8" BASIC TRIMS**  
**CA-323 P/N 89241293 REV. D**

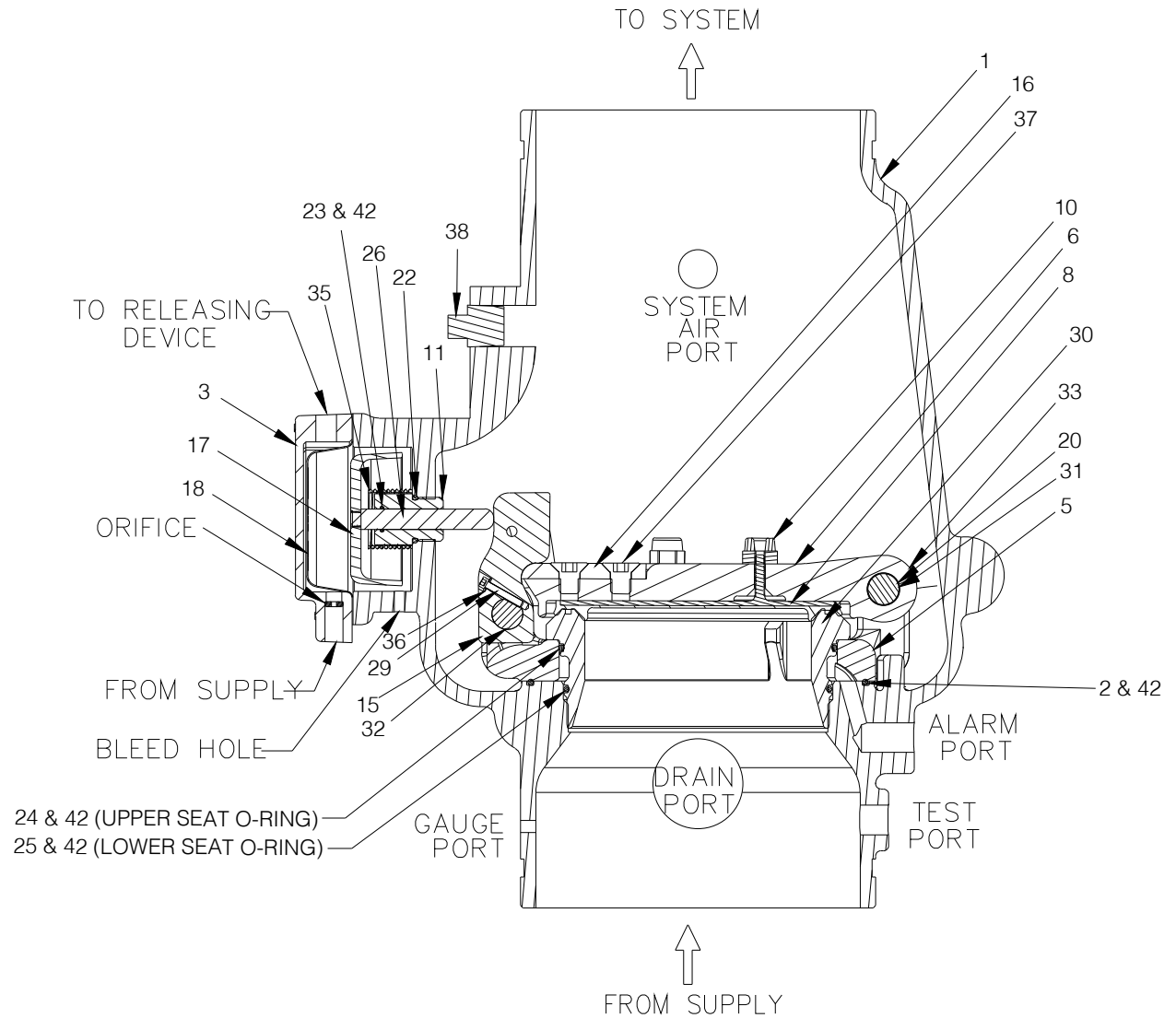
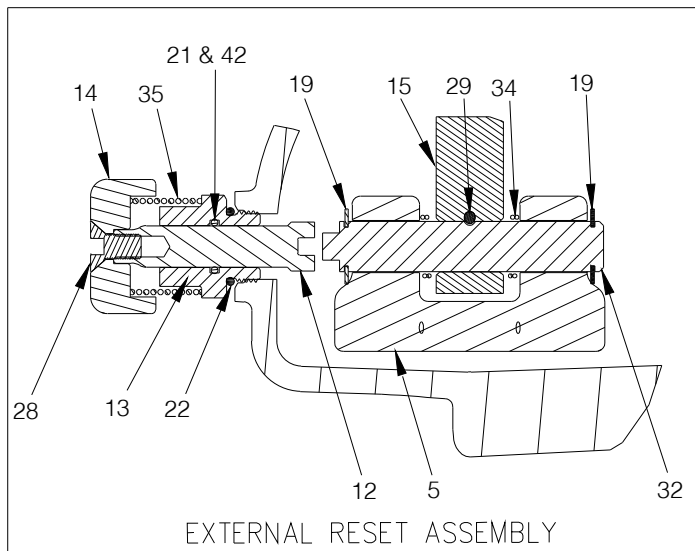
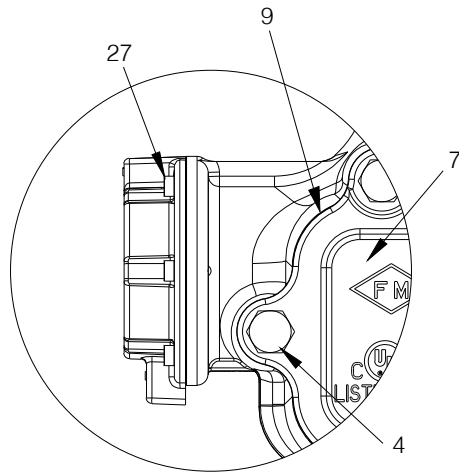


| ITEM NO. | PART NO.  | DESCRIPTION  | REMARKS          | QTY. |
|----------|-----------|--|------------------|------|
| 40       | PERMA-LOK | PERMA-LOK  | NOT SHOWN        | A/R  |
| 39       | 98543216  | NIPPLE, STEEL, GALV. 1/4" X 3-1/2"                 | 4" & 6" VERSIONS | 1    |
|          | 98543205  | NIPPLE, STEEL, GALV. 1/4" X 9"                     | 8" VERSION       | 1    |
| 38       | 98543224  | NIPPLE, STEEL, GALV. 1/4" X 4-1/2"                 | 4" & 6" VERSIONS | 1    |
|          | 98543217  | NIPPLE, STEEL, GALV. 1/4" X 6"                     | 8" VERSION       | 1    |
| 37       | 9884011A  | VALVE, BALL, 1/2 NPTF X 1/2 NPTM                   |                  | 1    |
| 36       | 9101423B  | MANIFOLD, 2 X 2 X 1, GRV/THD/THD                   |                  | 1    |
| 35       | 98840237  | VALVE, BALL, 1/4" NPTF x 1/4" NPTM                 |                  | 3    |
| 34       | 98840188  | VALVE, CHECK, 1/4" NPTM x 1/4" NPTF                |                  | 1    |
| 33       | 98840147  | CHECK VALVE, 1/4, NPT, POPPET TYPE INLINE          |                  | 1    |
| 32       | 98840145  | SWING CHECK VALVE, 1" NPT                          |                  | 1    |
| 31       | 98840103  | VALVE, ANGLE, 1/2"                                 |                  | 1    |
| 30       | 98840100  | VALVE, ANGLE, 2                                    |                  | 1    |
| 29       | 98815201  | UNION, 1/4, IRON, G.J., GALV.                      |                  | 1    |
| 28       | 98815200  | UNION, 1/2, IRON, G.J., GALV.                      |                  | 2    |
| 27       | 98761651  | TEE, 1/2X1/2X1/2, GALVANIZED                       |                  | 1    |
| 26       | 98761649  | TEE, 1/2X1/4X1/2, GALVANIZED                       |                  | 1    |
| 25       | 98751005  | FITTING, MULTIPORT, 3/4x1/2x1/2x1/2x1/2            |                  | 1    |
| 24       | 98727607  | STRAINER, 1/4"                                     |                  | 1    |
| 23       | 98614403  | PIPE, PLUG, IRON, SQUARE HEAD, 1/4                 |                  | 1    |
| 22       | 98614401  | PIPE, PLUG, IRON, SQUARE HEAD, 3/4                 |                  | 1    |
| 21       | 98604406  | PIPE, PLUG, IRON, SQUARE HEAD, 1/2                 |                  | 1    |
| 20       | 98543262  | NIPPLE, 2X3-1/2, GALVANIZED STEEL                  |                  | 1    |
| 19       | 98543238  | NIPPLE, 2XCLOSE, GALVANIZED STEEL                  |                  | 1    |
| 18       | 98543226  | NIPPLE, 1/4X1-1/2, GALVANIZED STEEL                |                  | 2    |
| 17       | 98543223  | NIPPLE, 1/2X1-1/2, GALVANIZED STEEL                |                  | 6    |
| 16       | 98543212  | NIPPLE, 1/2XCLOSE, GALVANIZED STEEL                |                  | 1    |
| 15       | 98543209  | NIPPLE, 1/2X2, GALVANIZED STEEL                    |                  | 3    |
| 14       | 98248001  | GAUGE, WATER PRESSURE (0-300 PSI)                  |                  | 2    |
| 13       | 98174405  | ELBOW, 2", MALL IRON, GALV.                        |                  | 1    |
| 12       | 98174404  | ELBOW, 1/4", MALL IRON, GALV.                      |                  | 2    |
| 11       | 98174400  | ELBOW, STREET, 1/2", GALV.                         |                  | 1    |
| 10       | 98048022  | BUSHING, REDUCER, 3/4X1/2, GALVANIZED              |                  | 1    |
| 9        | 96920944  | HOSE, FLEXIBLE, STAINLESS STEEL, 1/4 NPT X 18 LONG |                  | 1    |
| 8        | 96920912  | FLEX LINE, 12                                      |                  | 1    |
| 7        | 96816906  | VALVE, CHECK, MALE 1/2, MALE 1/2                   |                  | 1    |
| 6        | 96606607  | TEE, 1/2X1/2X1/4, GALVANIZED                       |                  | 1    |
| 5        | 92056810  | CONNECTOR, 3/8" ID TUBE x 1/2" NPT                 |                  | 1    |
| 4        | 92056704  | CONNECTOR, ELBOW, 3/8" ID TUBE x 1/2" NPT          |                  | 2    |
| 3        | 78653800  | ASSEMBLY, BALL DRIP, 1/2"                          |                  | 1    |
| 2        | 78653004  | ASSEMBLY, VALVE CAUTION STATION, 1/2"              |                  | 1    |
| 1        | 78653000  | ASSEMBLY, MANUAL EMERGENCY STATION                 |                  | 1    |

**BILL OF MATERIALS**

## MODEL DDX VALVE WITH STAINLESS STEEL SCREW-IN SEAT

**IMPORTANT NOTE:** Early generation 4" and 6" DDX valves may incorporate a brass drop-in seat. Prior to ordering replacement parts, confirm the presence of a stainless steel screw-in seat or brass drop-in seat. For replacement parts for valves with brass drop-in seat, please contact Reliable Sprinkler Company Technical Services ([techserv@reliablesprinkler.com](mailto:techserv@reliablesprinkler.com))



## Model DDX (Screw-In Seat Configuration) Deluge Valves Parts List

| Item No. | Part No.  |            |          |           |            |           |            |            | Part Description                                   | QTY. | Material                              |
|----------|-----------|------------|----------|-----------|------------|-----------|------------|------------|--|------|---------------------------------------|
|          | 2" (50mm) | 2½" (65mm) | 76mm     | 3" (80mm) | 4" (100mm) | 165mm     | 6" (150mm) | 8" (200mm) |  |      |                                       |
| 1        | 91006011  | 91006012   | 91006023 | 91006013  | 91006005   | 91006027  | 91006007   | 91006028   | Valve Body Groove/Groove                           | 1    | Ductile Iron 65-45-12                 |
|          | N/A       | N/A        | N/A      | N/A       | 91006045   | N/A       | 91006067   | N/A        | Valve Body Flange/Groove                           |      |                                       |
|          | N/A       | N/A        | N/A      | N/A       | 91006035   | N/A       | 91006037   | 91006039   | Valve Body Flange/Flange                           |      |                                       |
| 2        | N/A       | N/A        | N/A      | N/A       | N/A        | N/A       | N/A        | 95406414   | O-ring (Mounting Ring)                             | 1    | Buna-N                                |
| 3        | 71040416  |            |          |           |            |           |            |            | Pushrod Cover Assembly                             | 1    | Ductile Iron 65-45-12 & Brass C360000 |
| 4        | 91106123  |            |          | N/A       |            | N/A       |            | N/A        | Hex Bolt ½"-13 x 1¼"                               | 6    | Zinc Plated Steel                     |
|          | N/A       |            |          | 95606107  |            | N/A       |            | N/A        | Hex Bolt ½"-13 x 1½"                               | 6    |                                       |
|          | N/A       |            |          | N/A       |            | 91106006  |            | N/A        | Hex Bolt ⅝"-11 x 1¾"                               | 6    |                                       |
|          | N/A       |            |          | N/A       |            | N/A       |            | 95606110   | Hex Bolt ⅝"-11 x 2"                                | 8    |                                       |
| 5        | 91306013  |            |          | 91306014  |            | 91306016  |            | 91306018   | Mounting Ring                                      | 1    | Stainless Steel CF8 or CF8M           |
| 6        | 91916003  |            |          | 91916014  |            | 91916016  |            | 91916008   | Clapper  | 1    | Stainless Steel CF8 or CF8M           |
| 7        | 92116063  |            |          | 92116064  |            | 92116065  | 92116066   | 92116068   | Access Cover                                       | 1    | Ductile Iron 65-45-12                 |
| 8        | 93416003  |            |          | 93416014  |            | 93416016  |            | 93416008   | Seal Assembly                                      | 1    | Stainless Steel 304 & EPDM            |
| 9        | 93706003  |            |          | 93706004  |            | 93706006  |            | 93706008   | Access Cover Gasket                                | 1    | Buna-N or Neoprene                    |
| 10       | 93722000  |            |          | 93722000  |            | N/A       |            | N/A        | Bumpstop Assembly                                  | 1    | Stainless Steel UNS S31600 & EPDM     |
|          | N/A       |            |          | N/A       |            | 93722000  |            | N/A        |  | 2    |                                       |
|          | N/A       |            |          | N/A       |            | N/A       |            | 93722000   |  | 3    |                                       |
| 11       | 93916006  |            |          | 93916006  |            | 93916006  |            | 93916006   | Pushrod Guide                                      | 1    | Acetal                                |
| 12       | 93916006  |            |          | 93916006  |            | 93916006  |            | 93916006   | Reset Shaft  | 1    | Brass UNS C36000                      |
| 13       | 94106006  |            |          | 94106006  |            | 94106006  |            | 94106006   | Reset Housing                                      | 1    | Brass UNS C36000                      |
| 14       | 94356006  |            |          | 94356006  |            | 94356006  |            | 94356006   | Reset Knob   | 1    | Aluminum 6061                         |
| 15       | 94506003  |            |          | 94506004  |            | 94506016  |            | 94506008   | Lever  | 1    | Stainless Steel UNS S17400            |
| 16       | 95006414  |            |          | 94006412  |            | 95006410  |            | 95006410   | Striker  | 1    | Aluminum Bronze C95400                |
| 17       | 95106006  |            |          | 95106006  |            | 95106006  |            | 95106006   | Piston   | 1    | Stainless Steel CF8M                  |
| 18       | 95276006  |            |          | 95276006  |            | 95276006  |            | 95276006   | Diaphragm  | 1    | EPDM & Polyester                      |
| 19       | 95306267  |            |          | N/A       |            | N/A       |            | N/A        | Retaining Ring, ⅜" Shaft, Lever Pin                | 2    | Stainless Steel 15-7 or 17-7          |
|          | N/A       |            |          | 95306267  |            | N/A       |            | N/A        | Retaining Ring, ½" Shaft, Lever Pin                |      |                                       |
|          | N/A       |            |          | N/A       |            | 95306269  |            | N/A        | Retaining Ring, ⅝" Shaft, Lever Pin                |      |                                       |
|          | N/A       |            |          | N/A       |            | N/A       |            | 95316408   | Retaining Ring, ¾" Shaft, Lever Pin                |      |                                       |
| 20       | 95306268  |            |          | N/A       |            | N/A       |            | N/A        | Retaining Ring, ⅝" Shaft, Hinge Pin                | 2    | Stainless Steel 15-7 or 17-7          |
|          | N/A       |            |          | 95306267  |            | 95306267  |            | N/A        | Retaining Ring, ½" Shaft, Hinge Pin                |      |                                       |
|          | N/A       |            |          | N/A       |            | N/A       |            | 95316408   | Retaining Ring, ¾" Shaft, Hinge Pin                |      |                                       |
| 21       | 95406007  |            |          | 95406007  |            | 95406007  |            | 95406007   | O-Ring, Reset Housing ID                           | 1    | Buna-N                                |
| 22       | 95406024  |            |          | 95406024  |            | 95406024  |            | 95406024   | O-Ring, Reset Housing & Pushrod Guide OD           | 2    | Buna-N                                |
| 23       | 95406407  |            |          | 95406407  |            | 95406407  |            | 95406407   | O-Ring, Pushrod Guide ID                           | 1    | Buna-N                                |
| 24       | 95406410  |            |          | 95406409  |            | 95436126  |            | 95406413   | O-Ring, Upper Seat                                 | 1    | Buna-N                                |
| 25       | 95406411  |            |          | 95406420  |            | 95446226  |            | 95406412   | O-Ring, Lower Seat                                 | 1    | Buna-N                                |
| 26       | 95506006  |            |          | 95506006  |            | 95506006  |            | 95506006   | Pushrod  | 1    | Stainless Steel UNS S30300            |
| 27       | 95606114  |            |          | 95606114  |            | 95606114  |            | 95606114   | Socket Head Screw, ¼"-20 x ⅝"                      | 6    | Steel                                 |
| 28       | 95606127  |            |          | 95606127  |            | 95606127  |            | 95606127   | Flat Head Socket Cap Screw ⅜"-16 x ¾"              | 1    | Steel                                 |
| 29       | 95606133  |            |          | N/A       |            | N/A       |            | N/A        | Socket Head Screw #6-32 x ½"                       | 1    | Stainless Steel 18-8                  |
|          | N/A       |            |          | 95606130  |            | 95606130  |            | 95606130   | Socket Head Screw #10-32 x 1"                      |      | Stainless Steel UNS S31600            |
| 30       | 96016003  |            |          | 96016014  |            | 96016016  |            | 96016008   | Seat   | 1    | Stainless Steel CF8M                  |
| 31       | 96206003  |            |          | N/A       |            | N/A       |            | N/A        | Hinge Pin  | 1    | Stainless Steel UNS S30400            |
|          | N/A       |            |          | 96216086  |            | 9216086   |            | 96206008   |  |      | Stainless Steel UNS S21800            |
| 32       | 96216003  |            |          | N/A       |            | N/A       |            | N/A        | Lever Pin  | 1    | Stainless Steel UNS S17400            |
|          | N/A       |            |          | 96216044  |            | 96216047  |            | 96216008   |  |      | Stainless Steel UNS S21800            |
| 33       | 96310003  |            |          | 96906904  |            | 96906904  |            | 96310008   | Clapper Spacer                                     | 2    | Teflon or Acetal                      |
| 34       | 96406003  |            |          | N/A       |            | N/A       |            | N/A        | Lever Spring                                       | 1    | Stainless Steel UNS S30400            |
|          | N/A       |            |          | 96406004  |            | 96406005  |            | 96406008   |  |      | Stainless Steel UNS S31600            |
| 35       | 96406906  |            |          | 96406906  |            | 96406906  |            | 96406906   | Piston/ Reset Spring                               | 2    | Stainless Steel UNS S31600            |
| 36       | 96906112  |            |          | N/A       |            | N/A       |            | N/A        | Spring Lock Washer, #6                             | 1    | Stainless Steel 18-8                  |
|          | N/A       |            |          | 96906111  |            | 96906111  |            | 96906111   | Spring Lock Washer, #10                            |      | Stainless Steel UNS S31600            |
| 37       | 95606140  |            |          | N/A       |            | N/A       |            | N/A        | Flat Head Socket Cap Screw ¼"-20 x ½"              | 2    | Stainless Steel 18-8                  |
|          | N/A       |            |          | 95606139  |            | N/A       |            | N/A        |  |      | Stainless Steel UNS S31600            |
|          | N/A       |            |          | N/A       |            | N/A       |            | 95606135   |  |      | Flat Head Socket Cap Screw ½"-13 x ¾" |
| 38       | 98604402  |            |          | 98604402  |            | 98604402  |            | 98604402   | Plug, ½" NPT                                       | 1    | Steel                                 |
| 39       | 94616921  |            |          | 94616921  |            | 94616921  |            | 94616921   | Knob Caution Label (Not Shown)                     | 1    | Polystyrene                           |
| 40       | 91556922  |            |          | 91556922  |            | 91556922  |            | 91556922   | Ball Chain, 1/8" (Not Shown) (Length is in Inches) | 6    | Nickel Plated Brass                   |
| 41       | 91556923  |            |          | 91556923  |            | 91556923  |            | 91556923   | Clamping Link, Ball Chain (Not Shown)              | 1    |                                       |
| 42       | 699993406 |            |          | 699993406 |            | 699993406 |            | 699993406  | O-Ring Grease, Dupont™ Krytox® GPL-205             | A/R  | Krytox®                               |