

DDX VALVE TRIMS PART NUMBER CONFIGURATION

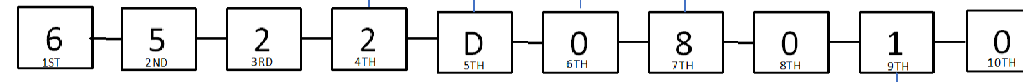
SELECTIONS IN **BOLD** ARE STANDARD OPTIONS

TRIM TYPE & B1 ACCELERATOR OPTION
D = DOUBLE INTERLOCK, TYPE PL, W/O B1 ACCELERATOR
E = DOUBLE INTERLOCK, TYPE PL, WITH B1 ACCELERATOR

TRIM FINISH
0 = GALVANIZED
1 = BLACK PIPE
2 = BRASS
3 = STAINLESS STEEL
4 = GALV. (U.S. SOURCED)
5 = BLACK PIPE (U.S. SOURCED)
6 = BRASS (U.S. SOURCED)
7 = STAINLESS STEEL (U.S. SOURCED)

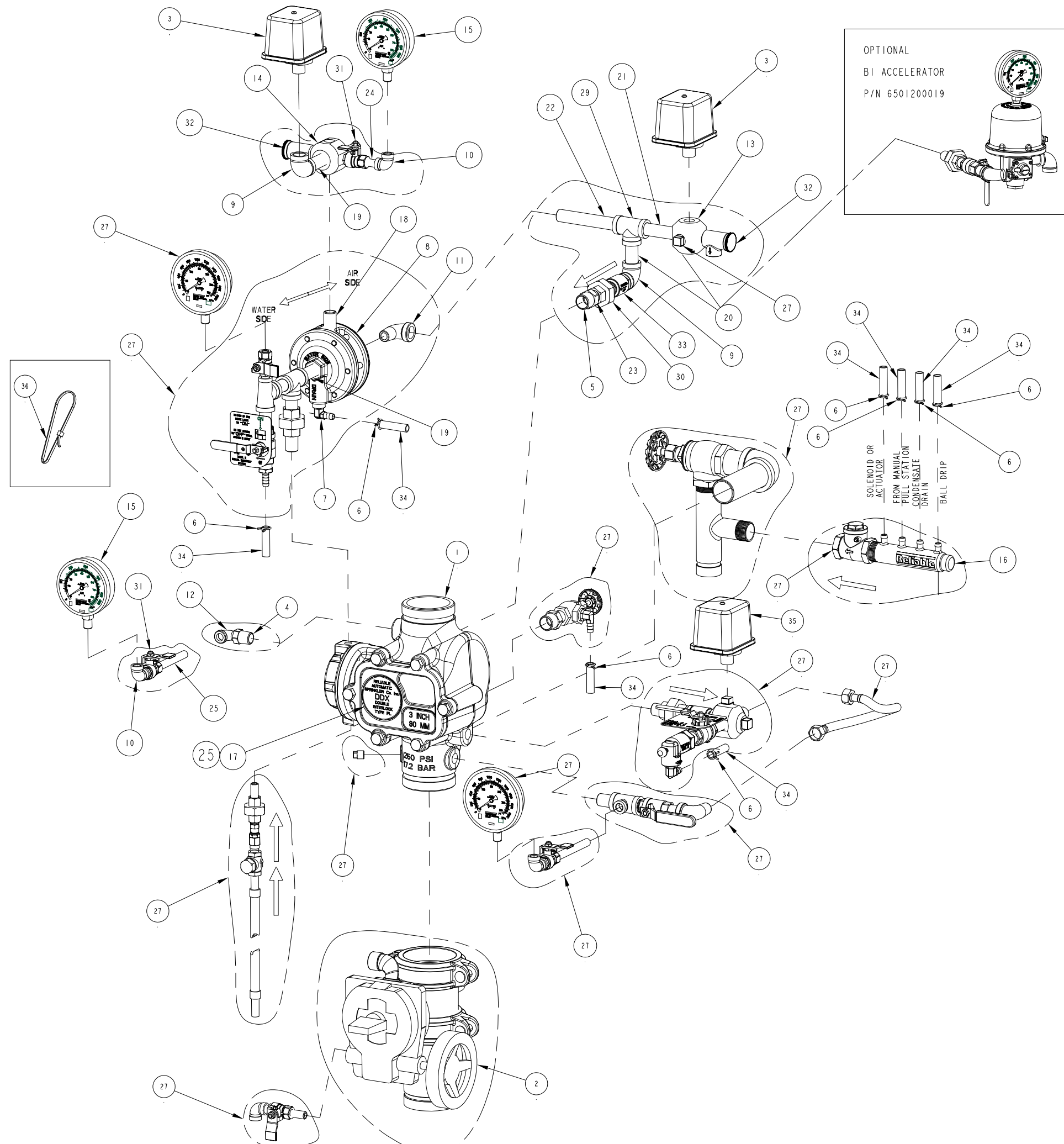
ASSEMBLY CONFIGURATION, VALVE COLOR & INSTALLED CONTROL VALVE OPTIONS
0 = LOOSE TRIM FOR 2"-3" VALVES
2 = SEGMENTALLY ASSEMBLED FOR 2"-3" VALVES
4 = FULLY ASSEM. TO BLACK DDX VALVE, W/O CONTROL VALVE
5 = FULLY ASSEM. TO RED DDX VALVE, W/O CONTROL VALVE
7 = FULLY ASSEM. TO RED CCCF APPROVED DDX VALVE, W/O CONTROL VALVE
8 = FULLY ASSEM. TO BLACK DDX VALVE, WITH CONTROL VALVE
9 = FULLY ASSEM. TO RED DDX VALVE, WITH CONTROL VALVE
A = FULLY ASSEM. TO RED CCCF APPROVED DDX VALVE, WITH CONTROL VALVE

DDX VALVE SIZE AND ENDS CONNECTION TYPE
0 = NONE (NO VALVE, LOOSE AND SEGMENTED TRIM ONLY)
1 = 2 1/2" GEX GE
2 = 2" GEX GE
3 = 3" GEX GE
5 = 76 MM GEX GE



- NOTES:**
- FOR THE 4TH DIGIT, SELECT "0" FOR LOOSE OR SEGMENTED TRIMS. 7TH DIGIT MUST BE "0", OR "2".
 - STANDARD FLANGE TYPE IS CLASS 150 PER ASME B16.5.
 - (EMPTY)
 - GALVANIZED PIPE FITTINGS ARE THE DEFAULT OFFERING. ALL OTHERS TRIM FINISHES ARE MAKE TO ORDER (MTO).
 - FOR LOOSE AND SEGMENTED ASSEMBLED TRIM CONFIGURATIONS, THE DDX VALVE IS SOLD SEPARATELY (SEE BULLETIN 519 FOR DDX VALVE'S PART NUMBER).
 - CHINA COMPULSORY CERTIFICATE FOR FIRE PRODUCTS.
 - FLANGED VALVES ARE NOT AVAILABLE WITH A CONTROL VALVE (REFER TO DIGIT #7).
 - A SYSTEM PRESSURE SWITCH IS INCLUDED BY DEFAULT WITH THE FOLLOWING TRIMS: TYPE D DOUBLE INTERLOCK, TYPE F DOUBLE INTERLOCK, DRY PILOT SINGLE INTERLOCK, DOUBLE INTERLOCK TYPE P, SYSTEM'S.
 - 76 MM AND 165 MM ARE NOT AVAILABLE WITH A CONTROL VALVE (REFER TO DIGIT #7).

SYSTEM PRESSURE SWITCH
0 = NONE
1 = POTTER FM, cULus APPROVED
2 = SYSTEM SENSOR FM/UL APPROVED
3 = SYSTEM SENSOR FM/ULC APPROVED
4 = POTTER, EXPOSITION PROOF



DDX VALVE PART NUMBER TABLE

DDX. VALVE	VALVE PART NUMBER	DRAWING FILE NUMBER
2" DUCTILE IRON G/G BLACK	6103022000	6103030000
2" DUCTILE IRON G/G RED	6103022001	
2-1/2" DUCTILE IRON G/G BLACK	6103022500	
2-1/2" DUCTILE IRON G/G RED	6103022501	
3" DUCTILE IRON G/G BLACK	6103030000	
3" DUCTILE IRON G/G RED	6103030001	
76MM DUCTILE IRON G/G RED	6103027600	

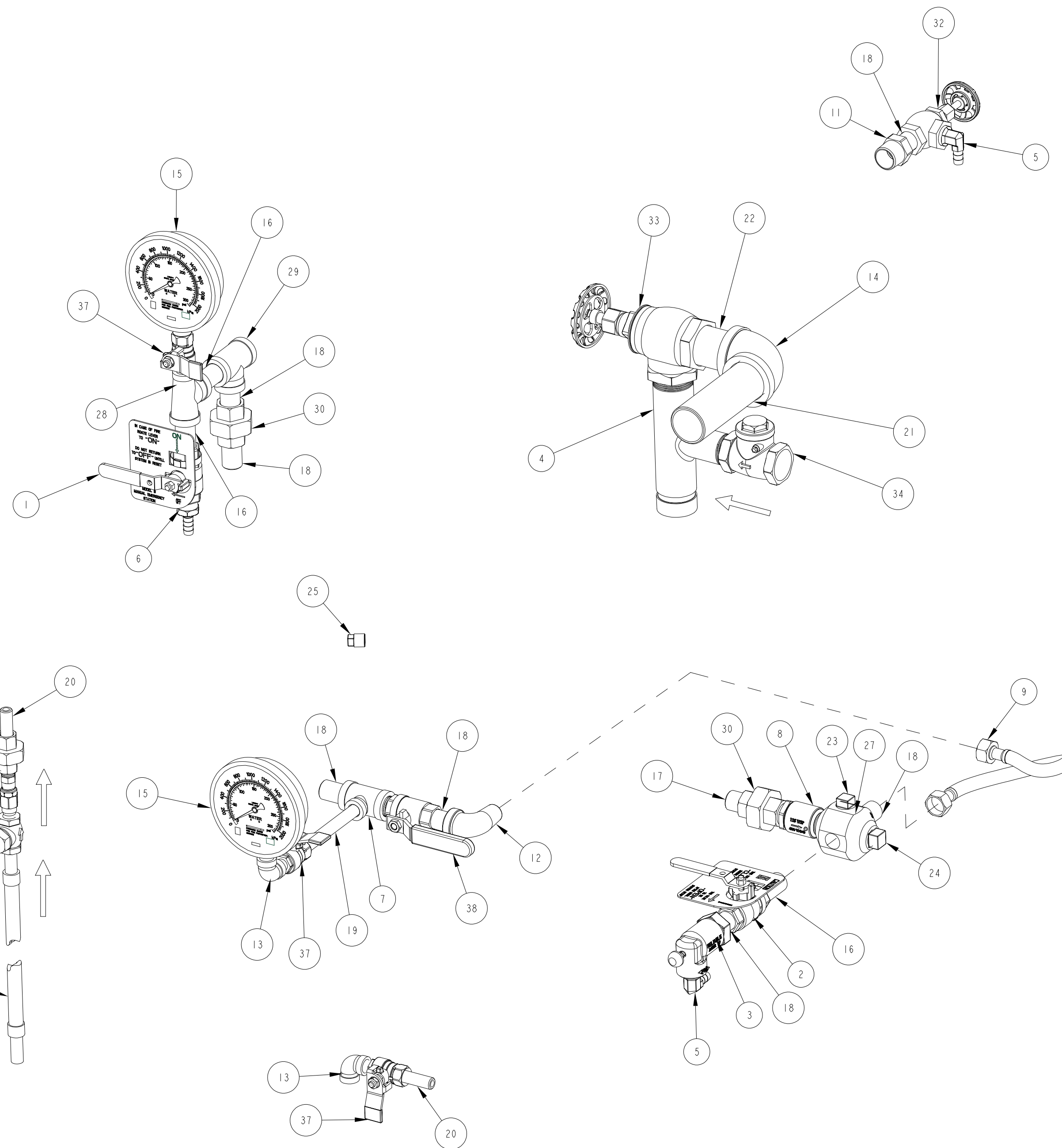
**MODEL DDX 2"-3" DELUGE DOUBLE INTERLOCK TYPE PL
 CA-274 P/N 89241239 REV. F**

ITEM NO	PART NO	DESCRIPTION	QTY
37	95516915	PERMA-LOK	NOT SHOWN
36	89141112	TIE, RETAINING	NOT SHOWN
35	6990012997	SWITCH, POTTER PRESSURE (PS10-EX)	(ULC, UL, FM)
	6990006382	SWITCH, POTTER PRESSURE (PS10-2)	(ULC, UL, FM)
	6999992360	SWITCH, PRESSURE (EPSA10-2)	(ULC)
	6999991212	SWITCH, PRESSURE (EPS10-2)	(UL/FM)
	34	96686756	TUBING, PVC, 3/8" I.D. x 6 FT.
33	96816906	VALVE, CHECK, MALE 1/2" MALE 1/2"	1
32	98840228	VALVE, RELIEF, 1/2", 50 PSI	2
31	98840237	VALVE, BALL, 1/4" NPTF x 1/4" NPTM	2
30	98815204	UNION, O-RING SEAL, GALV., 1/2"	1
29	98761651	TEE, 1/2X1/2X1/2, GALVANIZED	1
28	77000263	SUB-ASSEMBLY, TRIM, BASE, GALVANIZED PIPE	1
27	98604406	PIPE, PLUG, IRON, SQUARE HEAD, 1/2"	SEE CA-322 P/N 89241292
26	99800002	PAD-ADHESIVE, VALVE NAME PLATES	1
25	98543243	NIPPLE, 1/4X4, GALVANIZED STEEL	1
24	98543226	NIPPLE, 1/4X1-1/2, GALVANIZED STEEL	1
23	98543212	NIPPLE, 1/2XCLOSE, GALVANIZED STEEL	1
22	98543219	NIPPLE, 1/2X3, GALVANIZED STEEL	1
21	98543230	NIPPLE, 1/2X3, GALVANIZED STEEL	1
20	98543209	NIPPLE, 1/2X2, GALVANIZED STEEL	1
19	98543210	NIPPLE, 1/2X2-1/2, GALVANIZED STEEL	2
18	98543223	NIPPLE, 1/2X1-1/2, GALVANIZED STEEL	1
17	94616931	NAMEPLATE, DOUBLE INTERLOCK, TYPE PL	1
16	91004294	MANIFOLD, DRAIN, BARBED	1
15	98248000	GAUGE, AIR PRESSURE (0-80 PSI)	2
14	98751003	FITTING, MULTI-PORT, 1/2x1/2x1/2x1/2x1/4	1
13	98751004	FITTING, MULTI-PORT, 1/2x1/2x1/2x1/2x1/2	1
12	98174408	ELBOW, STREET, 1/4", GALV.	1
11	98174400	ELBOW, STREET, 1/2", GALV.	1
10	98174404	ELBOW, 1/4", MALL IRON, GALV.	2
9	98174401	ELBOW, 1/2", MALL IRON, GALV.	2
8	71030020	DOUBLE INTERLOCK ACTUATOR	1
7	92056704	CONNECTOR, ELBOW, 3/8" ID TUBE x 1/2" NPT	1
6	95306255	CLAMP, HOSE, 1/2" CONSTANT TENSION, ZINC	8
5	98048022	BUSHING, REDUCER, 3/4X1/2, GALVANIZED	1
4	98048000	BUSHING, REDUCER, 1/2X1/4, GALVANIZED	1
3	6990003756	SWITCH, POTTER PRESSURE (PS40-EX)	(ULC, UL, FM)
	6990019313	SWITCH, POTTER PRESSURE (PS25-2)	(ULC, UL, FM)
	6999992361	SWITCH, PRESSURE (EPS40-2)	(ULC)
	6999991340	SWITCH, PRESSURE (EPS40-2)	(UL/FM)
2	77000253	SUBASSEMBLY, CONTROL VALVE, 3"	FULLY ASSEMBLED WITH CONTROL VALVE ONLY
	77000251	SUBASSEMBLY, CONTROL VALVE, 2-1/2"	
	77000252	SUBASSEMBLY, CONTROL VALVE, 2"	
1	6103022000	ASSEMBLY, VALVE, 2"	1
	6103022500	ASSEMBLY, VALVE, 2-1/2"	
	6103030000	ASSEMBLY, VALVE, 3"	
	6103027600	ASSEMBLY, VALVE, 76MM	

BILL OF MATERIALS

MODEL DDX 2"-3" BASIC TRIMS

CA-322 P/N 89241292 REV. B



ITEM NO.	PART NO.	DESCRIPTION	REMARKS	QTY.
39	95516915	THREAD, SEALANT	NOT SHOWN	A/R
38	9884011A	VALVE, BALL, 1/2 NPTF X 1/2 NPTM		1
37	98840237	VALVE, BALL, 1/4" NPTF x 1/4" NPTM		3
36	98840188	VALVE, CHECK, 1/4" NPTM x 1/4" NPTF		1
35	98840147	CHECK VALVE, 1/4, NPT, POPPET TYPE INLINE		1
34	98840145	SWING CHECK VALVE, 1" NPT		1
33	98840106	VALVE, ANGLE, 1 1/4		1
32	98840103	VALVE, ANGLE, 1/2"		1
31	98815201	UNION, 1/4, IRON, G.J., GALV.		1
30	98815200	UNION, 1/2, IRON, G.J., GALV.		2
29	98761651	TEE, 1/2X1/2X1/2, GALVANIZED		1
28	98761649	TEE, 1/2X1/4X1/2, GALVANIZED		1
27	98751005	FITTING, MULTIPORT, 3/4x1/2x1/2x1/2x1/2		1
26	98727607	STRAINER, 1/4"		1
25	98614403	PIPE, PLUG, IRON, SQUARE HEAD, 1/4		1
24	98614401	PIPE, PLUG, IRON, SQUARE HEAD, 3/4		1
23	98604406	PIPE, PLUG, IRON, SQUARE HEAD, 1/2		1
22	98543285	NIPPLE, 1-1/4XCLOSE, GALVANIZED STEEL		1
21	98543284	NIPPLE, 1-1/4X5, GALVANIZED STEEL		1
20	98543226	NIPPLE, 1/4X1-1/2, GALVANIZED STEEL		2
19	98543224	NIPPLE, 1/4X4-1/2, GALVANIZED STEEL		1
18	98543223	NIPPLE, 1/2X1-1/2, GALVANIZED STEEL		7
17	98543212	NIPPLE, 1/2XCLOSE, GALVANIZED STEEL		1
16	98543209	NIPPLE, 1/2X2, GALVANIZED STEEL		3
15	98248001	GAUGE, WATER PRESSURE (0-300 PSI)		1
14	98174414	ELBOW, 1-1/4", MALL IRON, GALV.		1
13	98174404	ELBOW, 1/4", MALL IRON, GALV.		2
12	98174400	ELBOW, STREET, 1/2", GALV.		1
11	98048022	BUSHING, REDUCER, 3/4X1/2, GALVANIZED		1
10	96920944	HOSE, FLEXIBLE, STAINLESS STEEL, 1/4 NPT X 18 LONG		1
9	96920912	FLEX LINE, 12		1
8	96816906	VALVE, CHECK, MALE 1/2, MALE 1/2		1
7	96606607	TEE, 1/2X1/2X1/4, GALVANIZED		1
6	92056810	CONNECTOR, 3/8" ID TUBE x 1/2" NPT		1
5	92056704	CONNECTOR, ELBOW, 3/8" ID TUBE x 1/2" NPT		2
4	9101423C	MANIFOLD, 1-1/4 X 1-1/4 X 1, GRV/THD/THD		1
3	78653800	ASSEMBLY, BALL DRIP, 1/2"		1
2	78653004	ASSEMBLY, VALVE CAUTION STATION, 1/2"		1
1	78653000	ASSEMBLY, MANUAL EMERGENCY STATION		1

BILL OF MATERIALS

DDX VALVE TRIMS PART NUMBER CONFIGURATION

SELECTIONS IN BOLD ARE STANDARD OPTIONS

DDX VALVE SIZE AND ENDS CONNECTION TYPE

- 0 = NONE (NO VALVE, LOOSE AND SEGMENTED TRIM ONLY)¹
- 4 = 4" GE X GE
- 6 = 6" GE X GE
- 7 = 165 MM GE X GE⁹
- 8 = 8" GE X GE
- A = 4" FLANGE^{2,7} INLET X GE OUTLET
- B = 4" FLANGE^{2,7} INLET X FLANGE^{2,7} OUTLET
- C = 4" PN16 FLANGE² INLET X GE OUTLET
- D = 4" PN16 FLANGE² INLET X PN16 FLANGE² OUTLET
- E = 6" FLANGE^{2,7} INLET X GE OUTLET
- F = 6" FLANGE^{2,7} INLET X FLANGE^{2,7} OUTLET
- G = 6" PN16 FLANGE² INLET X GE OUTLET
- H = 6" PN16 FLANGE² INLET X PN16 FLANGE² OUTLET
- I = 165 MM FLANGE^{2,7} INLET X GE OUTLET
- J = 165 MM PN16 FLANGE² INLET X GE OUTLET
- K = 8" FLANGE^{2,7} INLET X FLANGE^{2,7} OUTLET
- L = 8" PN16 FLANGE² INLET X PN16 FLANGE² OUTLET

TRIM TYPE & B1 ACCELERATOR OPTION

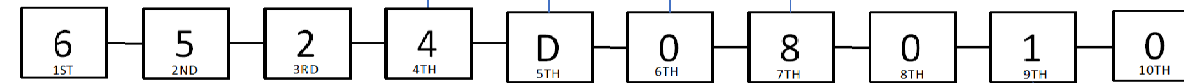
- D = DOUBLE INTERLOCK, TYPE PL, W/O B1 ACCELERATOR^{3,8}
- E = DOUBLE INTERLOCK, TYPE PL, WITH B1 ACCELERATOR^{3,8}

TRIM FINISH⁴

- 0 = GALVANIZED
- 1 = BLACK PIPE
- 2 = BRASS
- 3 = STAINLESS STEEL
- 4 = GALV. (U.S. SOURCED)
- 5 = BLACK PIPE (U.S. SOURCED)
- 6 = BRASS (U.S. SOURCED)
- 7 = STAINLESS STEEL (U.S. SOURCED)

ASSEMBLY CONFIGURATION, VALVE COLOR & INSTALLED CONTROL VALVE OPTIONS

- 1 = LOOSE TRIM FOR 4"-8" VALVES^{1,5}
- 3 = SEGMENTALLY ASSEMBLED FOR 4"-8" VALVES^{1,5}
- 4 = FULLY ASSEM. TO BLACK DDX VALVE, W/O CONTROL VALVE
- 5 = FULLY ASSEM. TO RED DDX VALVE, W/O CONTROL VALVE
- 7 = FULLY ASSEM. TO RED CCCF APPROVED DDX VALVE, W/O CONTROL VALVE⁶
- 8 = FULLY ASSEM. TO BLACK DDX VALVE, WITH CONTROL VALVE
- 9 = FULLY ASSEM. TO RED DDX VALVE, WITH CONTROL VALVE
- A = FULLY ASSEM. TO RED CCCF APPROVED DDX VALVE, WITH CONTROL VALVE^{6,7}



NOTES:

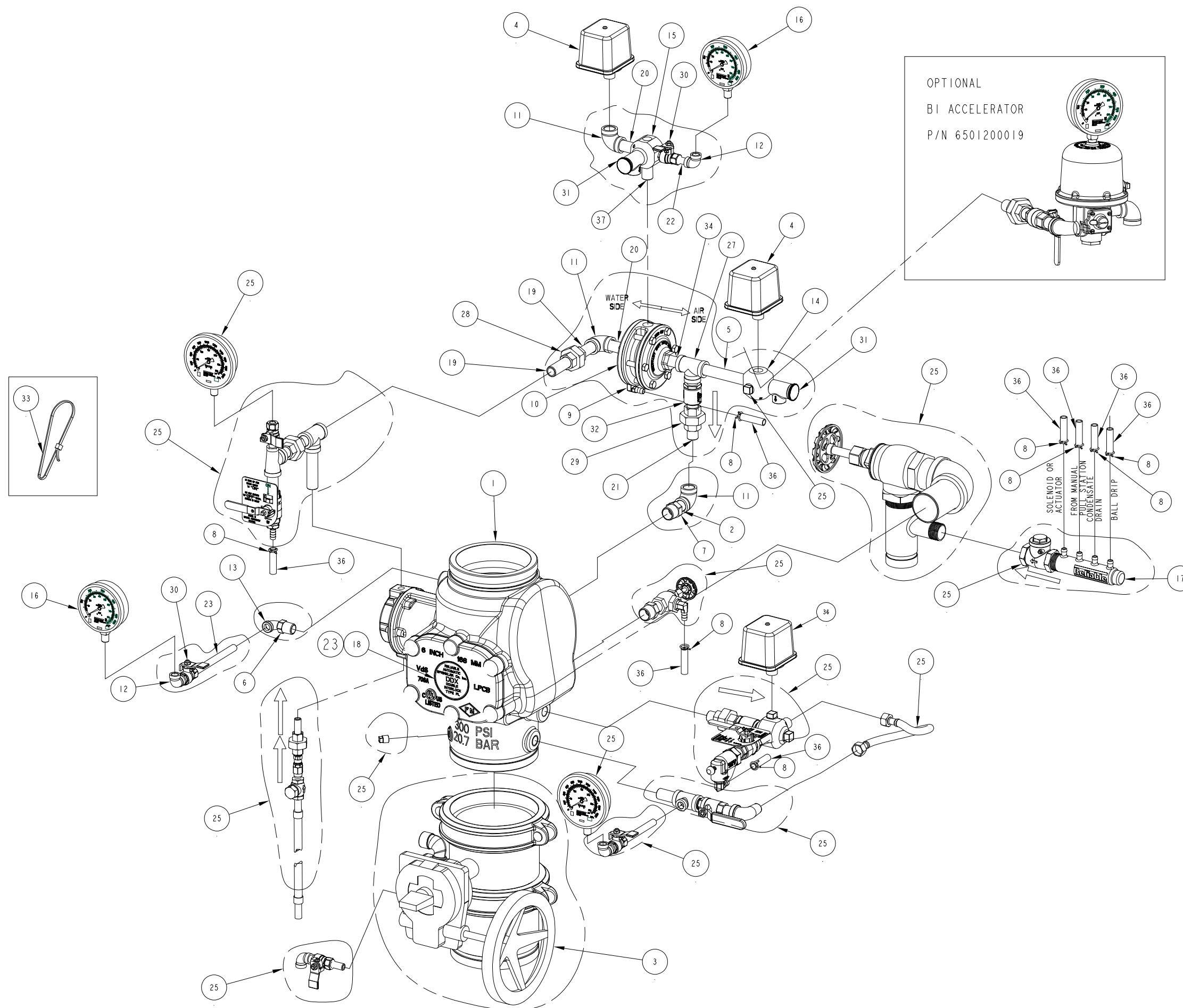
1. FOR THE 4TH DIGIT, SELECT "0" FOR LOOSE OR SEGMENTED TRIMS. 7TH DIGIT MUST BE "1", OR "3."
2. STANDARD FLANGE TYPE IS CLASS 150 PER ASME B16.5.
3. (EMPTY)
4. GALVANIZED PIPE FITTINGS ARE THE DEFAULT OFFERING. ALL OTHERS TRIM FINISHES ARE MAKE TO ORDER (MTO).
5. FOR LOOSE AND SEGMENTED ASSEMBLED TRIM CONFIGURATIONS, THE DDX VALVE IS SOLD SEPARATELY (SEE BULLETIN 519 FOR DDX VALVE'S PART NUMBER).
6. CHINA COMPULSORY CERTIFICATE FOR FIRE PRODUCTS.
7. FLANGED VALVES ARE NOT AVAILABLE WITH A CONTROL VALVE (REFER TO DIGIT #7).
8. A SYSTEM PRESSURE SWITCH IS INCLUDED BY DEFAULT WITH THE FOLLOWING TRIMS: TYPE D DOUBLE INTERLOCK, TYPE F DOUBLE INTERLOCK, DRY PILOT SINGLE INTERLOCK, DOUBLE INTERLOCK TYPE PL SYSTEMS.
9. 76 MM AND 165 MM ARE NOT AVAILABLE WITH A CONTROL VALVE (REFER TO DIGIT #7).

SYSTEM PRESSURE SWITCH⁸

- 0 = NONE
- 1 = POTTER FM, cULus APPROVED
- 2 = SYSTEM SENSOR FM/UL APPROVED
- 3 = SYSTEM SENSOR FM/ULC APPROVED
- 4 = POTTER, EXPOSITION PROOF

DDX VALVE PART NUMBER TABLE

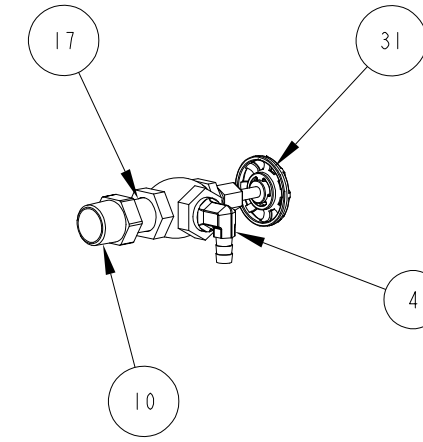
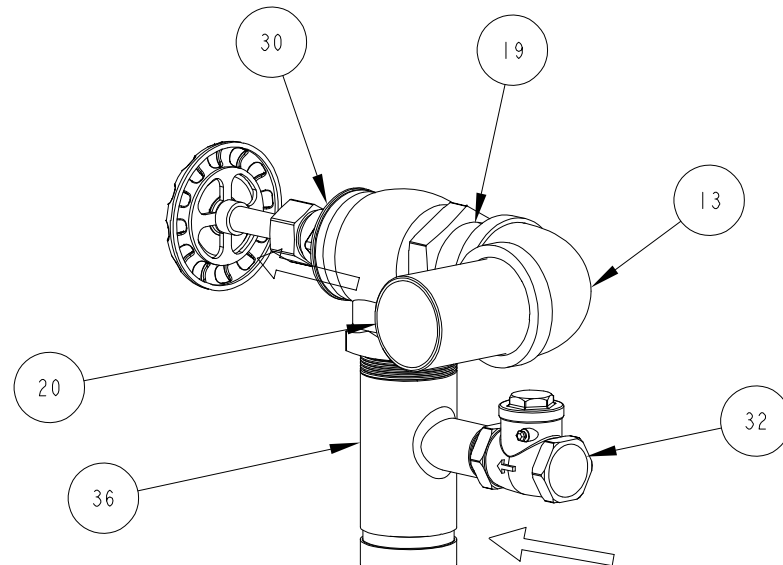
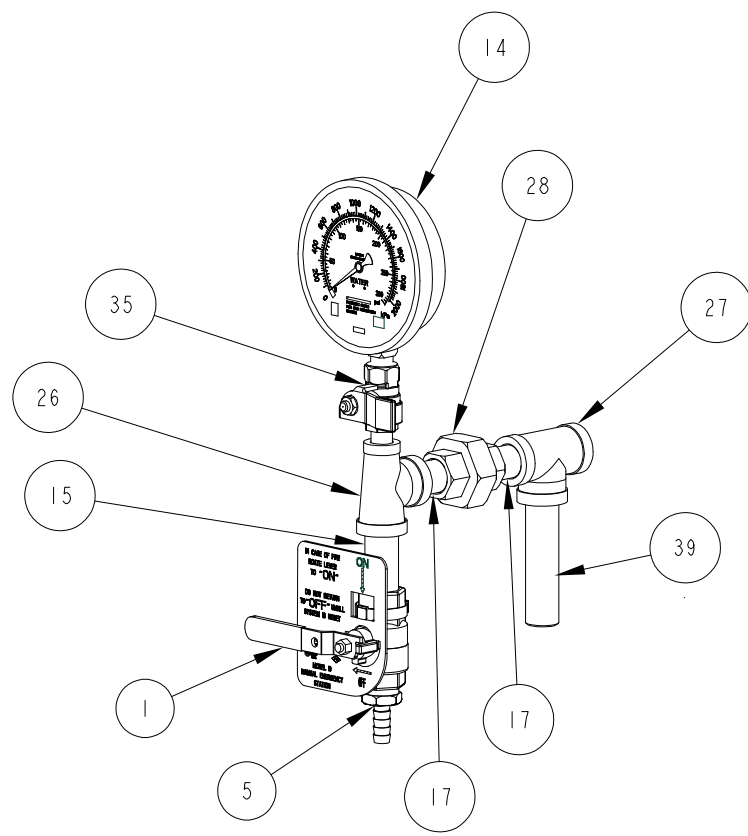
DDX VALVE	VALVE PART NUMBER	DRAWING FILE NUMBER
4" DUCTILE IRON G/G BLACK	6103040026	6103040026
4" DUCTILE IRON G/G RED	6103040030	
4" DUCTILE IRON F/G CLASS 150 BLACK	6103040044	
4" DUCTILE IRON F/G CLASS 150 RED	6103040046	
4" DUCTILE IRON F/G PN16 RED	6103040048	
4" DUCTILE IRON F/F CLASS 150 BLACK	6103040045	
4" DUCTILE IRON F/F CLASS 150 RED	6103040047	
4" DUCTILE IRON F/F PN16 RED	6103040049	6103060024
6" DUCTILE IRON G/G BLACK	6103060024	
6" DUCTILE IRON G/G RED	6103060030	
6" DUCTILE IRON F/G CLASS 150 BLACK	6103060045	
6" DUCTILE IRON F/G CLASS 150 RED	6103060048	
6" DUCTILE IRON F/G PN16 RED	6103060049	
6" DUCTILE IRON F/F CLASS 150 BLACK	6103060046	6103060024
6" DUCTILE IRON F/F CLASS 150 RED	6103060047	
6" DUCTILE IRON F/F PN16 RED	6103060050	
165MM DUCTILE IRON G/G RED	6103060028	
165MM DUCTILE IRON F/G CLASS 150 RED	6103060051	
165MM DUCTILE IRON F/G PN16 RED	6103060052	
8" DUCTILE IRON G/G BLACK	6103080001	6103080001
8" DUCTILE IRON G/G RED	6103080003	
8" DUCTILE IRON F/F CLASS 150 BLACK	6103080016	
8" DUCTILE IRON F/F CLASS 150 RED	6103080018	
8" DUCTILE IRON F/F PN16 RED	6103080020	



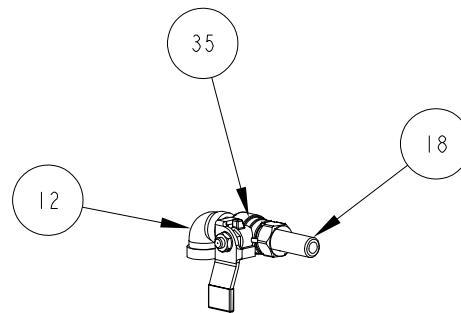
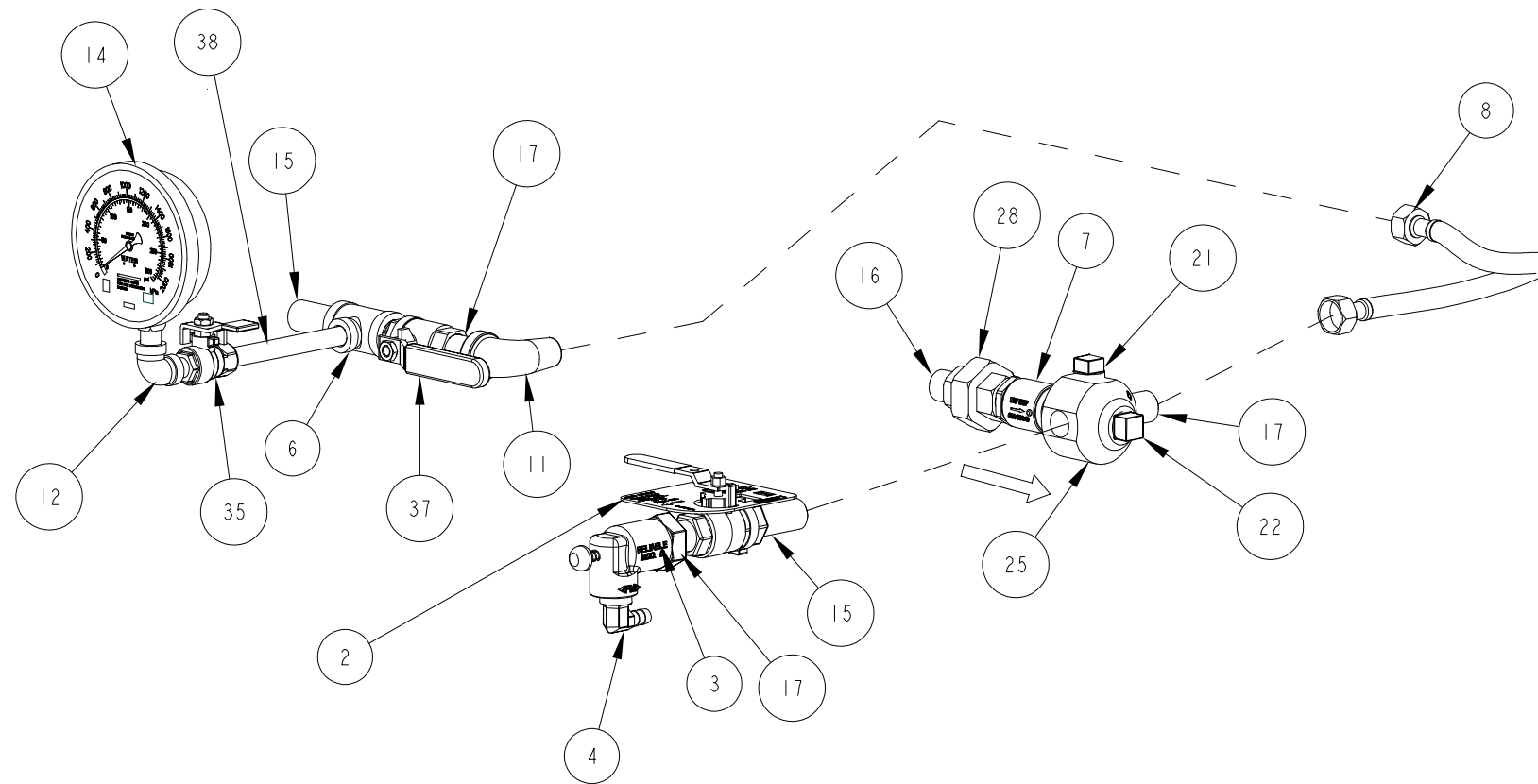
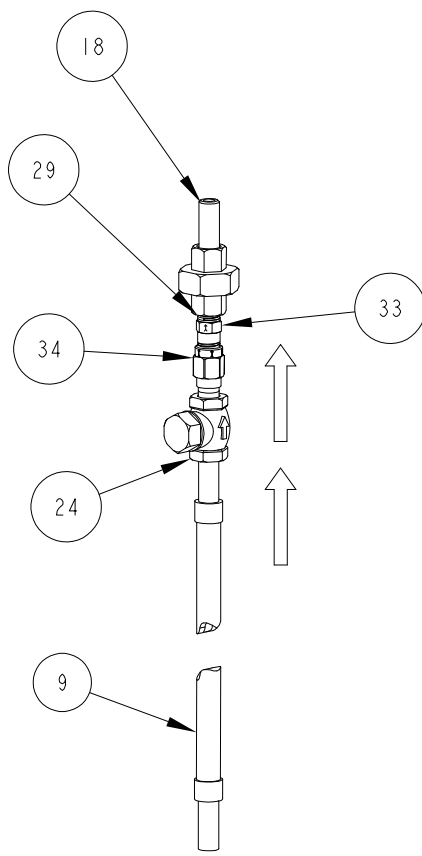
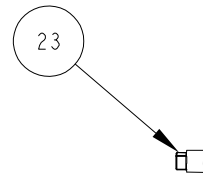
MODEL DDX 4", 6" & 8" DELUGE DOUBLE INTERLOCK TYPE PL CA-275 P/N 89241240 REV. F

ITEM NO	PART NO.	DESCRIPTION	REMARKS	QTY.
38	6990012997	SWITCH, POTTER PRESSURE (PS10-EX)	(ULC, UL, FM)	1
	6990006382	SWITCH, POTTER PRESSURE (PS10-2)	(ULC, UL, FM)	
	6999992360	SWITCH, PRESSURE (EPSA10-2)	(ULC)	
	6999991212	SWITCH, PRESSURE (EPS10-2)	(UL/FM)	
37	98543223	NIPPLE, STEEL, GALV., 1/2" X 1-1/2"		1
36	96686756	TUBING, PVC, 3/8 I.D. x 6 FT.		1
35	95516915	PERMA-LOK	NOT SHOWN	A/R
34	98543223	NIPPLE, STEEL, GALV., 1/2" X 1-1/2"	4"-6" VERSIONS	1
	98543210	NIPPLE, STEEL, GALV., 1/2" X 2-1/2"	8" VERSION	
33	89141112	TIE, RETAINING		9
32	98816906	VALVE, CHECK, MALE 1/2, MALE 1/2		1
31	98840228	VALVE, RELIEF, 1/2", 50 PSI		2
30	98840237	VALVE, BALL, 1/4" NPTF x 1/4" NPTM		2
29	98815204	UNION, ORING SEAL, GALV., 1/2		1
28	98815200	UNION, 1/2, IRON, G.J., GALV.		1
27	98761651	TEE, 1/2X1/2X1/2, GALVANIZED		1
26	77000266	SUB-ASSEMBLY, TRIM, BASE, GALVANIZED PIPE		1
25	98604406	PIPE, PLUG, IRON, SQUARE HEAD, 1/2	SEE CA-323 P/N 89241293	1
24	99080002	PAD-ADHESIVE, VALVE NAME PLATES		1
23	98543217	NIPPLE, 1/4X6, GALVANIZED STEEL		1
22	98543226	NIPPLE, 1/4X1-1/2, GALVANIZED STEEL		1
21	98543212	NIPPLE, 1/2XCLOSE, GALVANIZED STEEL		1
20	98543209	NIPPLE, 1/2X2, GALVANIZED STEEL		2
19	98543210	NIPPLE, 1/2X2-1/2, GALVANIZED STEEL		2
18	94616931	NAMEPLATE, DOUBLE INTERLOCK, TYPE PL		1
17	91004294	MANIFOLD, DRAIN, BARBED		1
16	98248000	GAUGE, AIR PRESSURE (0-80 PSI)		2
15	98751003	FITTING, MULTIPORT, 1/2x1/2x1/2x1/2x1/4		1
14	98751004	FITTING, MULTIPORT, 1/2x1/2x1/2x1/2x1/2		1
13	98174408	ELBOW, STREET, 1/4", GALV.		1
12	98174404	ELBOW, 1/4", MALL IRON, GALV.		2
11	98174401	ELBOW, 1/2", MALL IRON, GALV.		3
10	71030020	DOUBLE INTERLOCK ACTUATOR		1
9	92056704	CONNECTOR, ELBOW, 3/8" ID TUBE x 1/2" NPT		1
8	95306255	CLAMP, HOSE, 1/2" CONSTANT TENSION, ZINC		8
7	98048022	BUSHING, REDUCER, 3/4X1/2, GALVANIZED		1
6	98048000	BUSHING, REDUCER, 1/2X1/4, GALVANIZED		1
5	98543230	NIPPLE, STEEL, GALV., 1/2" X 3"	4" VERSION	1
	98543228	NIPPLE, STEEL, GALV., 1/2" X 4-1/2"	6" VERSION	
	98543204	NIPPLE, STEEL, GALV., 1/2" X 6"	8" VERSION	
4	6990003756	SWITCH, POTTER PRESSURE (PS40-EX)	(ULC, UL, FM)	2
	6990019313	SWITCH, POTTER PRESSURE (PS25-2)	(ULC, UL, FM)	
	6999992361	SWITCH, PRESSURE (EPSA40-2)	(ULC)	
3	6999991340	SWITCH, PRESSURE (EPS40-2)	(UL/FM)	1
	77000258	SUBASSEMBLY, CONTROL VALVE, 8"	FULLY ASSEMBLED WITH CONTROL VALVE ONLY	
	77000256	SUBASSEMBLY, CONTROL VALVE, 6"		
77000254	SUBASSEMBLY, CONTROL VALVE, 4"			
2	98543209	NIPPLE, STEEL, GALV., 1/2" X 2"	4" VERSION	1
	98543223	NIPPLE, STEEL, GALV., 1/2" X 1-1/2"	6"-8" VERSIONS	
1	SEE TRIMS PART NUMBER CONFIGURATION	ASSEMBLY, VALVE, 8"		1
		ASSEMBLY, VALVE, 4"		
		ASSEMBLY, VALVE, 6"		
		ASSEMBLY, VALVE, 165MM		
ITEM NO	PART NO.	DESCRIPTION	REMARKS	QTY.

BILL OF MATERIALS



MODEL DDX 4", 6" & 8" BASIC TRIMS
CA-323 P/N 89241293 REV. D

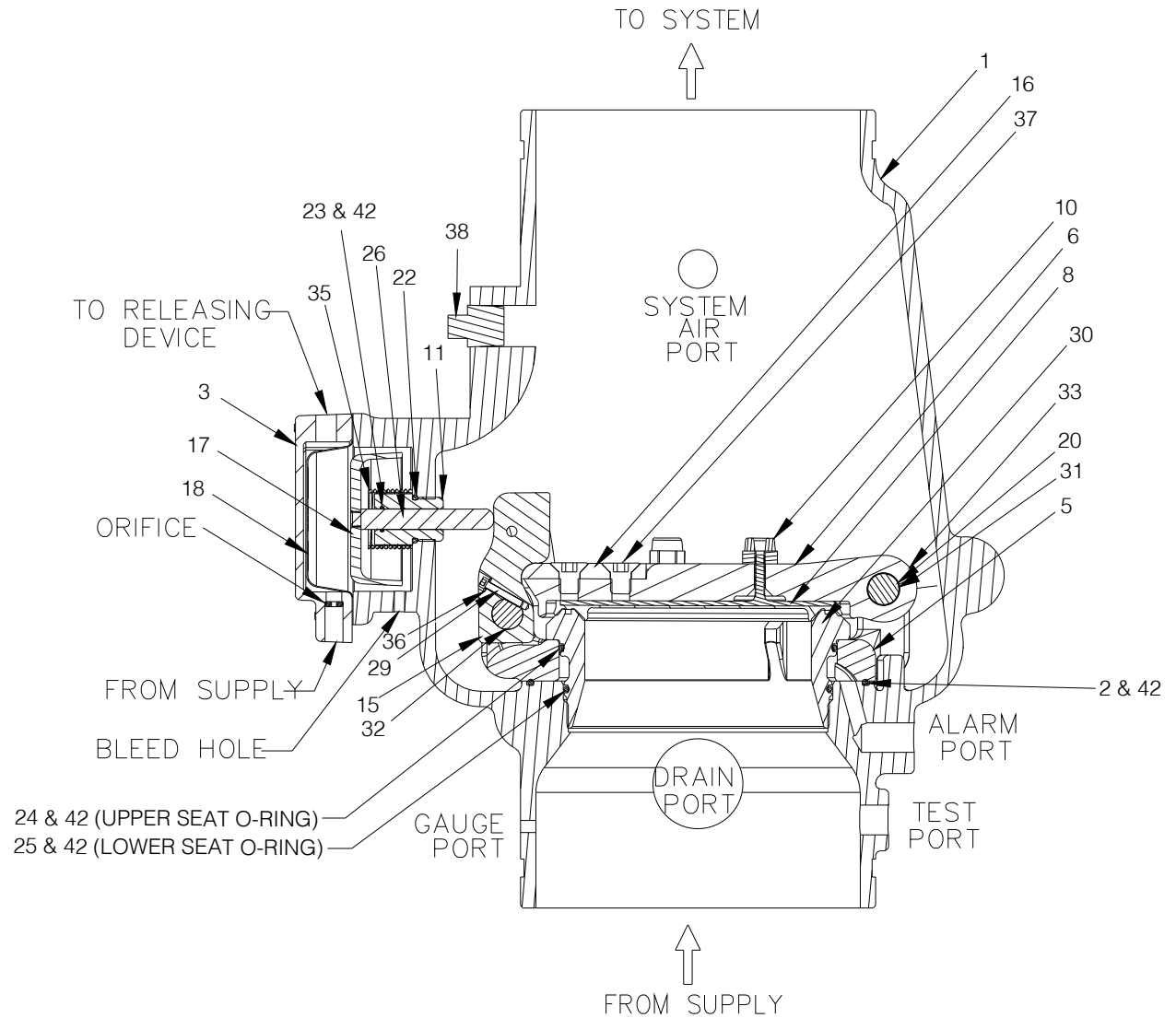
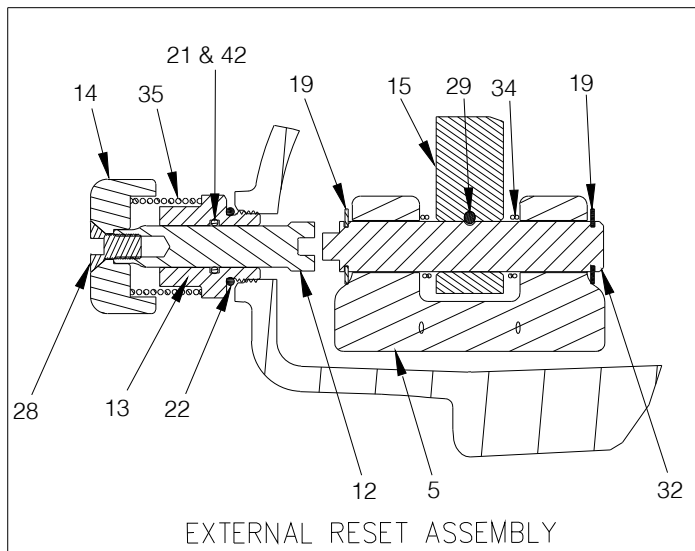
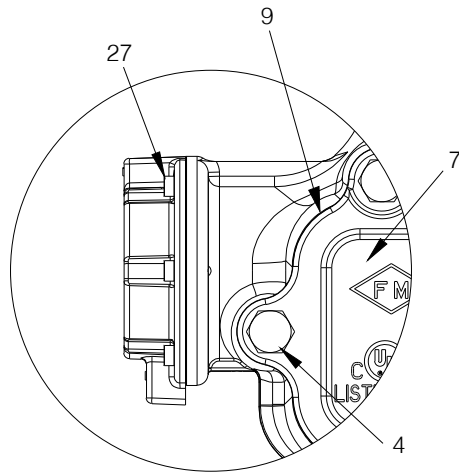


ITEM NO.	PART NO.	DESCRIPTION	REMARKS	QTY.
40	PERMA-LOK	PERMA-LOK	NOT SHOWN	A/R
39	98543216	NIPPLE, STEEL, GALV. 1/4" X 3-1/2"	4" & 6" VERSIONS	1
	98543205	NIPPLE, STEEL, GALV. 1/4" X 9"	8" VERSION	1
38	98543224	NIPPLE, STEEL, GALV. 1/4" X 4-1/2"	4" & 6" VERSIONS	1
	98543217	NIPPLE, STEEL, GALV. 1/4" X 6"	8" VERSION	1
37	9884011A	VALVE, BALL, 1/2 NPTF X 1/2 NPTM		1
36	9101423B	MANIFOLD, 2 X 2 X 1, GRV/THD/THD		1
35	98840237	VALVE, BALL, 1/4" NPTF x 1/4" NPTM		3
34	98840188	VALVE, CHECK, 1/4" NPTM x 1/4" NPTF		1
33	98840147	CHECK VALVE, 1/4, NPT, POPPET TYPE INLINE		1
32	98840145	SWING CHECK VALVE, 1" NPT		1
31	98840103	VALVE, ANGLE, 1/2"		1
30	98840100	VALVE, ANGLE, 2		1
29	98815201	UNION, 1/4, IRON, G.J., GALV.		1
28	98815200	UNION, 1/2, IRON, G.J., GALV.		2
27	98761651	TEE, 1/2X1/2X1/2, GALVANIZED		1
26	98761649	TEE, 1/2X1/4X1/2, GALVANIZED		1
25	98751005	FITTING, MULTIPORT, 3/4x1/2x1/2x1/2x1/2		1
24	98727607	STRAINER, 1/4"		1
23	98614403	PIPE, PLUG, IRON, SQUARE HEAD, 1/4		1
22	98614401	PIPE, PLUG, IRON, SQUARE HEAD, 3/4		1
21	98604406	PIPE, PLUG, IRON, SQUARE HEAD, 1/2		1
20	98543262	NIPPLE, 2X3-1/2, GALVANIZED STEEL		1
19	98543238	NIPPLE, 2XCLOSE, GALVANIZED STEEL		1
18	98543226	NIPPLE, 1/4X1-1/2, GALVANIZED STEEL		2
17	98543223	NIPPLE, 1/2X1-1/2, GALVANIZED STEEL		6
16	98543212	NIPPLE, 1/2XCLOSE, GALVANIZED STEEL		1
15	98543209	NIPPLE, 1/2X2, GALVANIZED STEEL		3
14	98248001	GAUGE, WATER PRESSURE (0-300 PSI)		2
13	98174405	ELBOW, 2", MALL IRON, GALV.		1
12	98174404	ELBOW, 1/4", MALL IRON, GALV.		2
11	98174400	ELBOW, STREET, 1/2", GALV.		1
10	98048022	BUSHING, REDUCER, 3/4X1/2, GALVANIZED		1
9	96920944	HOSE, FLEXIBLE, STAINLESS STEEL, 1/4 NPT X 18 LONG		1
8	96920912	FLEX LINE, 12		1
7	96816906	VALVE, CHECK, MALE 1/2, MALE 1/2		1
6	96606607	TEE, 1/2X1/2X1/4, GALVANIZED		1
5	92056810	CONNECTOR, 3/8" ID TUBE x 1/2" NPT		1
4	92056704	CONNECTOR, ELBOW, 3/8" ID TUBE x 1/2" NPT		2
3	78653800	ASSEMBLY, BALL DRIP, 1/2"		1
2	78653004	ASSEMBLY, VALVE CAUTION STATION, 1/2"		1
1	78653000	ASSEMBLY, MANUAL EMERGENCY STATION		1

BILL OF MATERIALS

MODEL DDX VALVE WITH STAINLESS STEEL SCREW-IN SEAT

IMPORTANT NOTE: Early generation 4" and 6" DDX valves may incorporate a brass drop-in seat. Prior to ordering replacement parts, confirm the presence of a stainless steel screw-in seat or brass drop-in seat. For replacement parts for valves with brass drop-in seat, please contact Reliable Sprinkler Company Technical Services (techserv@reliablesprinkler.com)



Model DDX (Screw-In Seat Configuration) Deluge Valves Parts List

Item No.	Part No.								Part Description	QTY.	Material
	2" (50mm)	2½" (65mm)	76mm	3" (80mm)	4" (100mm)	165mm	6" (150mm)	8" (200mm)			
1	91006011	91006012	91006023	91006013	91006005	91006027	91006007	91006028	Valve Body Groove/Groove	1	Ductile Iron 65-45-12
	N/A	N/A	N/A	N/A	91006045	N/A	91006067	N/A	Valve Body Flange/Groove		
	N/A	N/A	N/A	N/A	91006035	N/A	91006037	91006039	Valve Body Flange/Flange		
2	N/A	N/A	N/A	N/A	N/A	N/A	N/A	95406414	O-ring (Mounting Ring)	1	Buna-N
3	71040416								Pushrod Cover Assembly	1	Ductile Iron 65-45-12 & Brass C360000
4	91106123			N/A		N/A		N/A	Hex Bolt ½"-13 x 1¼"	6	Zinc Plated Steel
	N/A			95606107		N/A		N/A	Hex Bolt ½"-13 x 1½"	6	
	N/A			N/A		91106006		N/A	Hex Bolt ⅝"-11 x 1¾"	6	
	N/A			N/A		N/A		95606110	Hex Bolt ⅝"-11 x 2"	8	
5	91306013			91306014		91306016		91306018	Mounting Ring	1	Stainless Steel CF8 or CF8M
6	91916003			91916014		91916016		91916008	Clapper	1	Stainless Steel CF8 or CF8M
7	92116063			92116064		92116065	92116066	92116068	Access Cover	1	Ductile Iron 65-45-12
8	93416003			93416014		93416016		93416008	Seal Assembly	1	Stainless Steel 304 & EPDM
9	93706003			93706004		93706006		93706008	Access Cover Gasket	1	Buna-N or Neoprene
10	93722000			93722000		N/A		N/A	Bumpstop Assembly	1	Stainless Steel UNS S31600 & EPDM
	N/A			N/A		93722000		N/A		2	
	N/A			N/A		N/A		93722000		3	
11	93916006			93916006		93916006		93916006	Pushrod Guide	1	Acetal
12	93916006			93916006		93916006		93916006	Reset Shaft	1	Brass UNS C36000
13	94106006			94106006		94106006		94106006	Reset Housing	1	Brass UNS C36000
14	94356006			94356006		94356006		94356006	Reset Knob	1	Aluminum 6061
15	94506003			94506004		94506016		94506008	Lever	1	Stainless Steel UNS S17400
16	95006414			94006412		95006410		95006410	Striker	1	Aluminum Bronze C95400
17	95106006			95106006		95106006		95106006	Piston	1	Stainless Steel CF8M
18	95276006			95276006		95276006		95276006	Diaphragm	1	EPDM & Polyester
19	95306267			N/A		N/A		N/A	Retaining Ring, ⅜" Shaft, Lever Pin	2	Stainless Steel 15-7 or 17-7
	N/A			95306267		N/A		N/A	Retaining Ring, ½" Shaft, Lever Pin		
	N/A			N/A		95306269		N/A	Retaining Ring, ⅝" Shaft, Lever Pin		
	N/A			N/A		N/A		95316408	Retaining Ring, ¾" Shaft, Lever Pin		
20	95306268			N/A		N/A		N/A	Retaining Ring, ⅝" Shaft, Hinge Pin	2	Stainless Steel 15-7 or 17-7
	N/A			95306267		95306267		N/A	Retaining Ring, ½" Shaft, Hinge Pin		
	N/A			N/A		N/A		95316408	Retaining Ring, ¾" Shaft, Hinge Pin		
21	95406007			95406007		95406007		95406007	O-Ring, Reset Housing ID	1	Buna-N
22	95406024			95406024		95406024		95406024	O-Ring, Reset Housing & Pushrod Guide OD	2	Buna-N
23	95406407			95406407		95406407		95406407	O-Ring, Pushrod Guide ID	1	Buna-N
24	95406410			95406409		95436126		95406413	O-Ring, Upper Seat	1	Buna-N
25	95406411			95406420		95446226		95406412	O-Ring, Lower Seat	1	Buna-N
26	95506006			95506006		95506006		95506006	Pushrod	1	Stainless Steel UNS S30300
27	95606114			95606114		95606114		95606114	Socket Head Screw, ¼"-20 x ⅝"	6	Steel
28	95606127			95606127		95606127		95606127	Flat Head Socket Cap Screw ⅜"-16 x ¾"	1	Steel
29	95606133			N/A		N/A		N/A	Socket Head Screw #6-32 x ½"	1	Stainless Steel 18-8
	N/A			95606130		95606130		95606130	Socket Head Screw #10-32 x 1"		Stainless Steel UNS S31600
30	96016003			96016014		96016016		96016008	Seat	1	Stainless Steel CF8M
31	96206003			N/A		N/A		N/A	Hinge Pin	1	Stainless Steel UNS S30400
	N/A			96216086		9216086		96206008			Stainless Steel UNS S21800
32	96216003			N/A		N/A		N/A	Lever Pin	1	Stainless Steel UNS S17400
	N/A			96216044		96216047		96216008			Stainless Steel UNS S21800
33	96310003			96906904		96906904		96310008	Clapper Spacer	2	Teflon or Acetal
34	96406003			N/A		N/A		N/A	Lever Spring	1	Stainless Steel UNS S30400
	N/A			96406004		96406005		96406008			Stainless Steel UNS S31600
35	96406906			96406906		96406906		96406906	Piston/ Reset Spring	2	Stainless Steel UNS S31600
36	96906112			N/A		N/A		N/A	Spring Lock Washer, #6	1	Stainless Steel 18-8
	N/A			96906111		96906111		96906111	Spring Lock Washer, #10		Stainless Steel UNS S31600
37	95606140			N/A		N/A		N/A	Flat Head Socket Cap Screw ¼"-20 x ½"	2	Stainless Steel 18-8
	N/A			95606139		N/A		N/A			Stainless Steel UNS S31600
	N/A			N/A		N/A		95606135			Flat Head Socket Cap Screw ½"-13 x ¾"
38	98604402			98604402		98604402		98604402	Plug, ½" NPT	1	Steel
39	94616921			94616921		94616921		94616921	Knob Caution Label (Not Shown)	1	Polystyrene
40	91556922			91556922		91556922		91556922	Ball Chain, 1/8" (Not Shown) (Length is in Inches)	6	Nickel Plated Brass
41	91556923			91556923		91556923		91556923	Clamping Link, Ball Chain (Not Shown)	1	
42	699993406			699993406		699993406		699993406	O-Ring Grease, Dupont™ Krytox® GPL-205	A/R	Krytox®