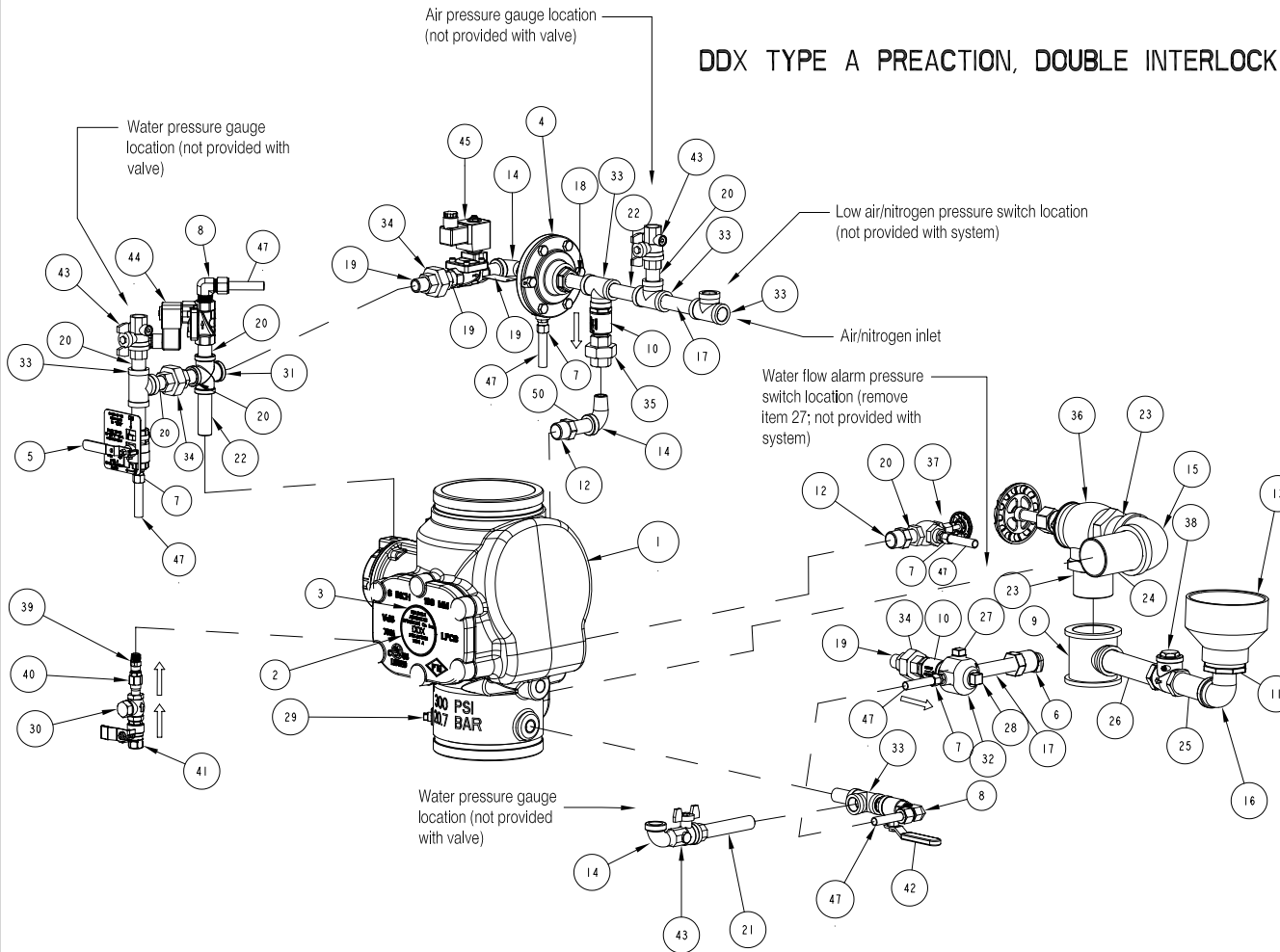


# DDX TYPE A PREACTION, DOUBLE INTERLOCK



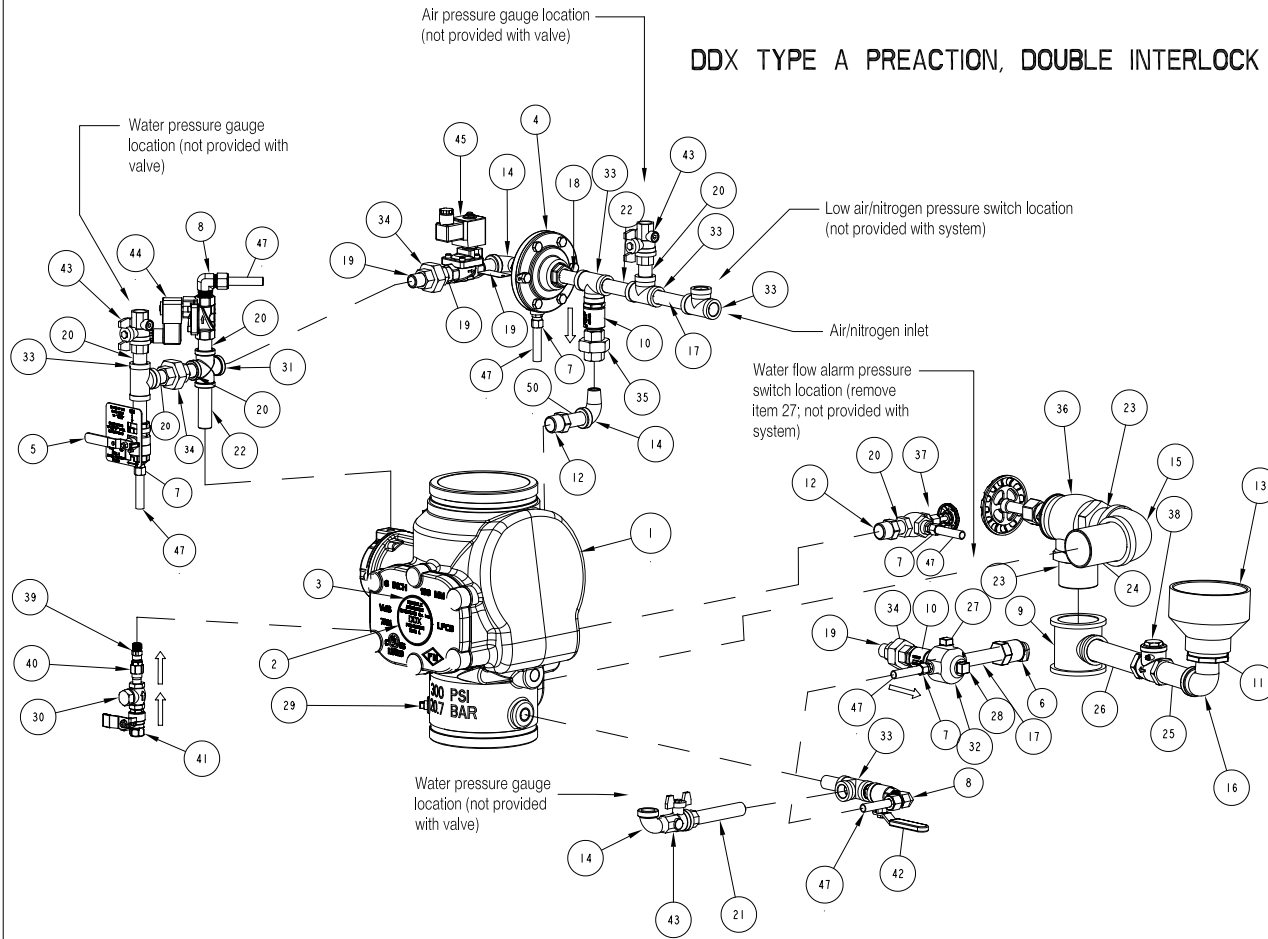
MODEL DDX VALVE AND TRIM PART NUMBER TABLE				
VALVE SIZE	VALVE DWG NO.	END CONNECTION	VALVE P/N	ASSEMBLY P/N
4"	6103040026	GRV/GRV RED	6103040030	6502064047
		FLG/GRV CLASS 150 RED	6103040046	6502064048
		FLG/GRV PN16 RED	6103040048	6502064049
		FLG/FLG CLASS 150 RED	6103040047	6502064050
6"	6103060024	FLG/FLG PN16 RED	6103040049	6502064051
		GRV/GRV RED	6103060030	6502064052
		FLG/GRV CLASS 150 RED	6103060048	6502064053
		FLG/GRV PN16 RED	6103060049	6502064054
		FLG/FLG CLASS 150 RED	6103060047	6502064055
		FLG/FLG PN16 RED	6103060050	6502064056

CA-329 B (P/N 89241303)

48	98543230	NIPPLE, STEEL, GALV., 1/2" X 3"	1
	98543209	NIPPLE, 1/2" X 2" GALVANIZED STEEL	
47	98768010	COPPER TUBING, 1/2" O.D.	A/R
46	95516915	PERMA-LOK	A/R
45	7U99001874	SOLENOID VALVE, NORMALLY OPEN (BUSHJOIST P/N: D4023/1001/1012-NJ, 24V DC)	1
44	7U99001875	SOLENOID VALVE, NORMALLY CLOSED (BUSHJOIST P/N: D4023/1001/1182-NG, 24V DC)	1
43	9884011F	VALVE, 1/2, T-HANDLE, BRASS	3
42	9884011A	VALVE, BALL, 1/2 NPTF X 1/2 NPTM	1
41	98840237	VALVE, BALL, 1/4" NPTF X 1/4" NPTM	1
40	98840188	VALVE, CHECK, 1/4" NPTM X 1/4" NPTF	1
39	98840147	CHECK VALVE, 1/4, NPT, POPPET TYPE INLINE	1
38	98840145	SWING CHECK VALVE, 1" NPT	1
37	98840103	VALVE, ANGLE, 1/2"	1
36	98840100	VALVE, ANGLE, 2	1
35	98815204	UNION, ORING SEAL, GALV., 1/2	1
34	98815200	UNION, 1/2, IRON, G. J., GALV.	3
33	98761651	TEE, 1/2X1/2X1/2, GALVANIZED	5
32	98751005	FITTING, MULTIPORT, 3/4x1/2x1/2x1/2x1/2	1
31	98750003	PIPE CROSS, 1/2", GALV.	1
30	98727607	STRAINER, 1/4"	1
29	98614403	PIPE, PLUG, IRON, SQUARE HEAD, 1/4	1
28	98614401	PIPE, PLUG, IRON, SQUARE HEAD, 3/4	1
27	98604406	PIPE, PLUG, IRON, SQUARE HEAD, 1/2	1
26	98543266	NIPPLE, 1X6, GALVANIZED STEEL	1
25	98543264	NIPPLE, 1X4, GALVANIZED STEEL	1
24	98543262	NIPPLE, 2X3-1/2, GALVANIZED STEEL	1
23	98543238	NIPPLE, 2XCLOSE, GALVANIZED STEEL	2
22	98543230	NIPPLE, 1/2X3, GALVANIZED STEEL	2
21	98543228	NIPPLE, 1/2X4-1/2, GALVANIZED STEEL	1
20	98543223	NIPPLE, 1/2X1-1/2, GALVANIZED STEEL	6
19	98543212	NIPPLE, 1/2XCLOSE, GALVANIZED STEEL	4
18	98543210	NIPPLE, 1/2X2-1/2, GALVANIZED STEEL	1
17	98543207	NIPPLE, 1/2X4, GALVANIZED STEEL	2
16	98174416	ELBOW, STREET, 1", GALV.	1
15	98174405	ELBOW, 2", MALL IRON, GALV.	1
14	98174400	ELBOW, STREET, 1/2", GALV.	3
13	98050004	DRAIN CUP, PVC	1
12	98048022	BUSHING, REDUCER, 3/4X1/2, GALVANIZED	2
11	98048015	BUSHING, REDUCER, 2" SPIGOT X 1" NPTF, PVC	1
10	96816906	VALVE, CHECK, MALE 1/2, MALE 1/2	2
9	96606627	TEE, 2X2X1, GALVANIZED	1
8	92606707	ADAPTER, ELBOW, 90°, 1/2 OD TUBE, 1/2 NPT, BRASS	2
7	92056806	CONNECTOR, 1/2" TUBING X 1/2" NPT	4
6	78653500	ASSEMBLY, VALVE, BALL DRIP, AUTO, 1/2	1
5	78653000	ASSEMBLY, MANUAL EMERGENCY STATION	1
4	71030010	MODEL LP PILOT LINE ACTUATOR	1
3	94616962	NAMEPLATE, PREACTION TYPE A	1
2	99080002	PAD-ADHESIVE, VALVE NAME PLATES	1
1	SEE P/N TABLE	SEE "VALVE P/N" FOR VALVE SELECTION	
	SEE P/N TABLE	SEE "ASSEMBLY P/N" FOR ASSEMBLY SELECTION	
ITEM NO.	PART NO.	DESCRIPTION	QTY.

BILL OF MATERIALS

## DDX TYPE A PREACTION, DOUBLE INTERLOCK



MODEL DDX VALVE AND TRIM PART NUMBER TABLE				
VALVE SIZE	VALVE DWG. NO.	END CONNECTION	VALVE P/N	ASSEMBLY P/N
4"	6103040026	GRV/GRV RED	6103040030	6502064047
		FLG/GRV CLASS 150 RED	6103040046	6502064048
		FLG/GRV PN16 RED	6103040048	6502064049
		FLG/FLG CLASS 150 RED	6103040047	6502064050
		FLG/FLG PN16 RED	6103040049	6502064051
6"	6103060024	GRV/GRV RED	6103060030	6502064052
		FLG/GRV CLASS 150 RED	6103060048	6502064053
		FLG/GRV PN16 RED	6103060049	6502064054
		FLG/FLG CLASS 150 RED	6103060047	6502064055
		FLG/FLG PN16 RED	6103060050	6502064056

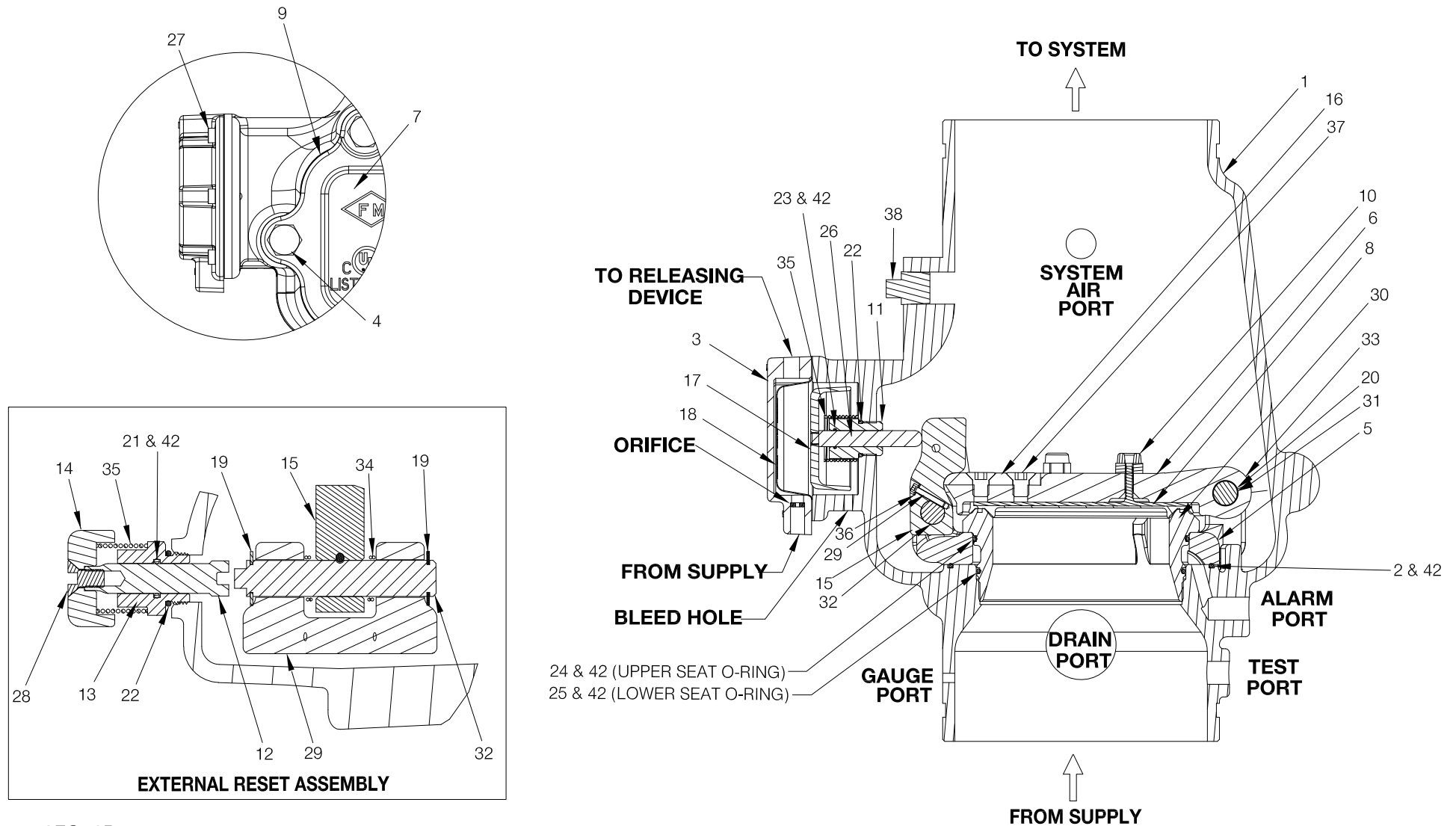
CA-329 B (P/N 89241303)

48	98543230	NIPPLE, STEEL, GALV., 1/2" X 3"	1
	98543209	NIPPLE, 1/2" X 2" GALVANIZED STEEL	1
47	98768010	COPPER TUBING, 1/2" O.D.	A/R
46	95516915	PERMA-LOK	A/R
45	7U99001874	SOLENOID VALVE, NORMALLY OPEN (BUSHJOST P/N: D4023/1001/1012-NJ, 24V DC)	1
44	7U99001875	SOLENOID VALVE, NORMALLY CLOSED (BUSHJOST P/N: D4023/1001/1182-NG, 24V DC)	1
43	9884011F	VALVE, 1/2, T-HANDLE, BRASS	3
42	9884011A	VALVE, BALL, 1/2 NPTF X 1/2 NPTM	1
41	98840237	VALVE, BALL, 1/4" NPTF X 1/4" NPTM	1
40	98840188	VALVE, CHECK, 1/4" NPTF X 1/4" NPTF	1
39	98840147	CHECK VALVE, 1/4, NPT, POPPET TYPE INLINE	1
38	98840145	SWING CHECK VALVE, 1" NPT	1
37	98840103	VALVE, ANGLE, 1/2"	1
36	98840100	VALVE, ANGLE, 2	1
35	98815204	UNION, ORING SEAL, GALV., 1/2	1
34	98815200	UNION, 1/2, IRON, G.J., GALV.	3
33	98761651	TEE, 1/2X1/2X1/2, GALVANIZED	5
32	98751005	FITTING, MULTIPORT, 3/4x1/2x1/2x1/2x1/2	1
31	98750003	PIPE CROSS, 1/2", GALV.	1
30	98727607	STRAINER, 1/4"	1
29	98614403	PIPE, PLUG, IRON, SQUARE HEAD, 1/4	1
28	98614401	PIPE, PLUG, IRON, SQUARE HEAD, 3/4	1
27	98604406	PIPE, PLUG, IRON, SQUARE HEAD, 1/2	1
26	98543266	NIPPLE, 1X6, GALVANIZED STEEL	1
25	98543264	NIPPLE, 1X4, GALVANIZED STEEL	1
24	98543262	NIPPLE, 2X3-1/2, GALVANIZED STEEL	1
23	98543238	NIPPLE, 2XCLOSE, GALVANIZED STEEL	2
22	98543230	NIPPLE, 1/2X3, GALVANIZED STEEL	2
21	98543228	NIPPLE, 1/2X4-1/2, GALVANIZED STEEL	1
20	98543223	NIPPLE, 1/2X1-1/2, GALVANIZED STEEL	6
19	98543212	NIPPLE, 1/2XCLOSE, GALVANIZED STEEL	4
18	98543210	NIPPLE, 1/2X2-1/2, GALVANIZED STEEL	1
17	98543207	NIPPLE, 1/2X4, GALVANIZED STEEL	2
16	98174416	ELBOW, STREET, 1", GALV.	1
15	98174405	ELBOW, 2", MALL IRON, GALV.	1
14	98174400	ELBOW, STREET, 1/2", GALV.	3
13	98050004	DRAIN CUP, PVC	1
12	98048022	BUSHING, REDUCER, 3/4X1/2, GALVANIZED	2
11	98048015	BUSHING, REDUCER, 2" SPIGOT X 1" NPTF, PVC	1
10	96816906	VALVE, CHECK, MALE 1/2, MALE 1/2	2
9	96606627	TEE, 2X2X1, GALVANIZED	1
8	92606707	ADAPTER, ELBOW, 90°, 1/2 OD TUBE, 1/2 NPT, BRASS	2
7	92056806	CONNECTOR, 1/2" TUBING X 1/2" NPT	4
6	78653500	ASSEMBLY, VALVE, BALL DRIP, AUTO, 1/2	1
5	78653000	ASSEMBLY, MANUAL EMERGENCY STATION	1
4	71030010	MODEL LP PILOT LINE ACTUATOR	1
3	94616962	NAMEPLATE, PREACTION TYPE A	1
2	99080002	PAD-ADHESIVE, VALVE NAME PLATES	1
1	SEE P/N TABLE	SEE "VALVE P/N" FOR VALVE SELECTION	
X	SEE P/N TABLE	SEE "ASSEMBLY P/N" FOR ASSEMBLY SELECTION	
ITEM NO.	PART NO.	DESCRIPTION	QTY.

**BILL OF MATERIALS**

## MODEL DDX VALVE WITH STAINLESS STEEL SCREW-IN SEAT

IMPORTANT NOTE: Early generation 4" and 6" DDX valves may incorporate a brass drop-in seat. Prior to ordering replacement parts, confirm the presence of a stainless steel screw-in seat or brass drop-in seat. For replacement parts for valves with brass drop-in seat, please contact Reliable Sprinkler Company Technical Services (techserv@reliablesprinkler.com)



## Model DDX (Screw-In Seat Configuration) Deluge Valves Parts List

Item No.	Part No.								Part Description	QTY.	Material
	2" (50mm)	2½" (65mm)	76mm	3" (80mm)	4" (100mm)	165mm	6" (150mm)	8" (200mm)			
1	91006011	91006012	91006023	91006013	91006005	91006027	91006007	91006028	Valve Body Groove/Groove	1	Ductile Iron 65-45-12
	N/A	N/A	N/A	N/A	91006045	N/A	91006057	N/A	Valve Body Flange/Groove		
	N/A	N/A	N/A	N/A	91006035	N/A	91006037	91006039	Valve Body Flange/Flange		
2	N/A	N/A	N/A	N/A	N/A	N/A	N/A	95406414	O-ring (Mounting Ring)	1	Buna-N
3	71040416								Pushrod Cover Assembly	1	Ductile Iron 65-45-12 & Brass C360000
4	91106123			N/A	N/A	N/A	Hex Bolt ½"-13 x 1¼"		6	Zinc Plated Steel	
	N/A			95606107	N/A	N/A	Hex Bolt ½"-13 x 1½"		6		
	N/A			N/A	91106006	N/A	Hex Bolt ⅝"-11 x 1¼"		6		
	N/A			N/A	N/A	95606110	Hex Bolt ⅝"-11 x 2"		8		
5	91306013			91306014	91306016	91306018	Mounting Ring		1	Stainless Steel CF8 or CF8M	
6	91916003			91916014	91916016	91916008	Clapper		1	Stainless Steel CF8 or CF8M	
7	92116063			92116064	92116065	92116066	92116068	Access Cover	1	Ductile Iron 65-45-12	
8	93416003			93416014	93416016	93416008	Seal Assembly		1	Stainless Steel 304 & EPDM	
9	93706003			93706004	93706006	93706008	Access Cover Gasket		1	Buna-N or Neoprene	
10	93722000			93722000	N/A	N/A	Bumpstop Assembly		1	Stainless Steel UNS S31600 & EPDM	
	N/A			N/A	93722000	N/A			2		
	N/A			N/A	N/A	93722000			3		
11	93916006			Pushrod Guide		1		Acetal			
12	93916066			Reset Shaft		1		Brass UNS C36000			
13	94106066			Reset Housing		1		Brass UNS C36000			
14	94356006			Reset Knob		1		Aluminum 6061			
15	94506003			94506004	94506016	94506008	Lever		1	Stainless Steel UNS S17400	
16	95006414			94006412	95006410	95006410	Striker		1	Aluminum Bronze C95400	
17	95106006			Piston		1		Stainless Steel CF8M			
18	95276006			Diaphragm		1		EPDM & Polyester			
19	95306267			N/A	N/A	N/A	Retaining Ring, ⅜" Shaft, Lever Pin		2	Stainless Steel 15-7 or 17-7	
	N/A			95306267	N/A	N/A	Retaining Ring, ½" Shaft, Lever Pin				
	N/A			N/A	95306269	N/A	Retaining Ring, ⅝" Shaft, Lever Pin				
	N/A			N/A	N/A	95316408	Retaining Ring, ¾" Shaft, Lever Pin				
20	95306268			N/A	N/A	N/A	Retaining Ring, ⅜" Shaft, Hinge Pin		2	Stainless Steel 15-7 or 17-7	
	N/A			95306267	95306267	N/A	Retaining Ring, ½" Shaft, Hinge Pin				
	N/A			N/A	N/A	95316408	Retaining Ring, ¾" Shaft, Hinge Pin				
21	95406007			O-Ring, Reset Housing ID		1		Buna-N			
22	95406024			O-Ring, Reset Housing & Pushrod Guide OD		2		Buna-N			
23	95406407			O-Ring, Pushrod Guide ID		1		Buna-N			
24	95406410			95406409	95436126	95406413	O-Ring, Upper Seat		1	Buna-N	
25	95406411			95406420	95446226	95406412	O-Ring, Lower Seat		1	Buna-N	
26	95506006			Pushrod		1		Stainless Steel UNS S30300			
27	95606114			Socket Head Screw, ¼"-20 x ⅝"		6		Steel			
28	95606127			Flat Head Socket Cap Screw ⅜"-16 x ¾"		1		Steel			
29	95606133			N/A	N/A	N/A	Socket Head Screw #6-32 x ½"		1	Stainless Steel 18-8	
	N/A			95606130	95606130	95606130	Socket Head Screw #10-32 x 1"				
30	96016003			96016014	96016016	96016008	Seat		1	Stainless Steel CF8M	
31	96206003			N/A	N/A	N/A	Hinge Pin		1	Stainless Steel UNS S30400 Stainless Steel UNS S21800	
	N/A			96216086	9216086	96206008					
32	96216003			N/A	N/A	N/A	Lever Pin		1	Stainless Steel UNS S17400 Stainless Steel UNS S21800	
	N/A			96216044	96216047	96216008					
33	96310003			96906904	96906904	96310008	Clapper Spacer		2	Teflon or Acetal	
34	96406003			N/A	N/A	N/A	Lever Spring		1	Stainless Steel UNS S30400 Stainless Steel UNS S31600	
	N/A			96406004	96406005	96406008					
35	96406906			Piston/ Reset Spring		2		Stainless Steel UNS S31600			
36	96906112			N/A	N/A	N/A	Spring Lock Washer, #6		1	Stainless Steel 18-8 Stainless Steel UNS S31600	
	N/A			96906111	96906111	96906111	Spring Lock Washer, #10				
37	95606140			N/A	N/A	N/A	Flat Head Socket Cap Screw ¼"-20 x ½"		2	Stainless Steel 18-8 Stainless Steel UNS S31600 Stainless Steel UNS S31600	
	N/A			95606139	N/A	N/A	Flat Head Socket Cap Screw ½"-13 x ¾"				
	N/A			N/A	N/A	95606135	Flat Head Socket Cap Screw ½"-13 x ¾"				
38	98604402			Plug, ½" NPT		1		Steel			
39	94616921			Knob Caution Label (Not Shown)		1		Polystyrene			
40	91556922			Ball Chain, 1/8" (Not Shown) (Length is in Inches)		6		Nickel Plated Brass			
41	91556923			Clamping Link, Ball Chain (Not Shown)		1					
42	699993406			O-Ring Grease, Dupont™ Krytox® GPL-205		A/R		Krytox®			