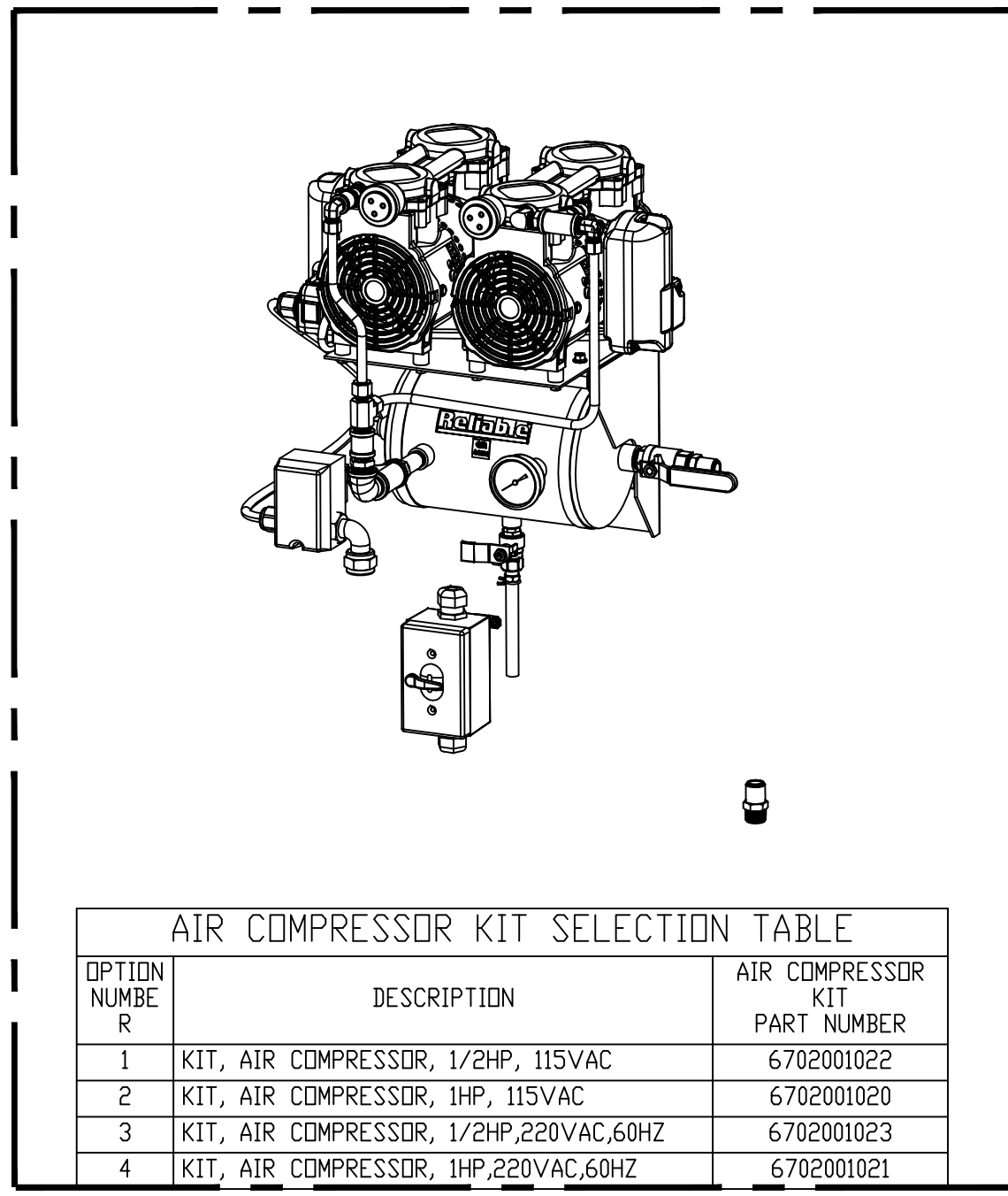
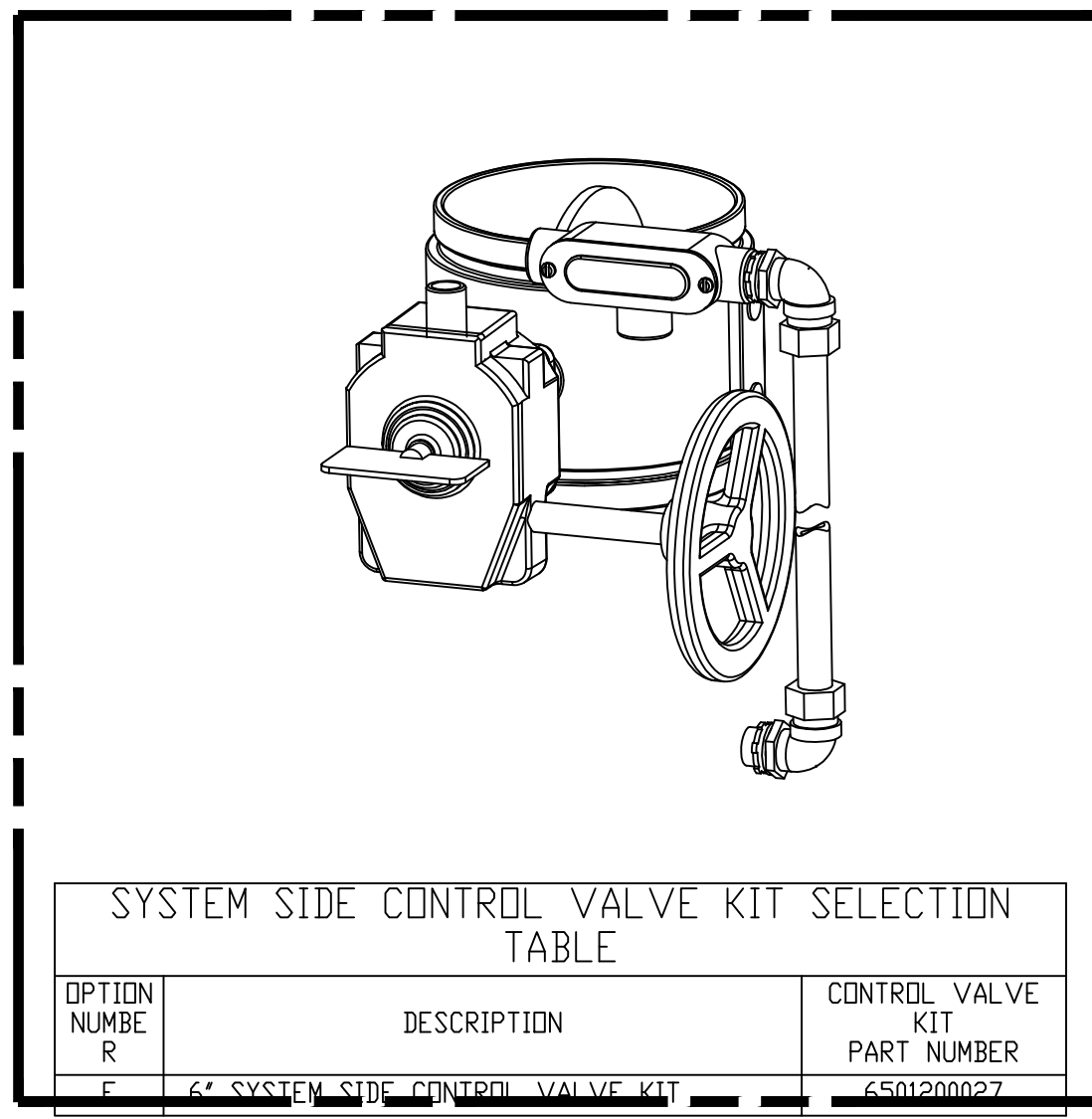


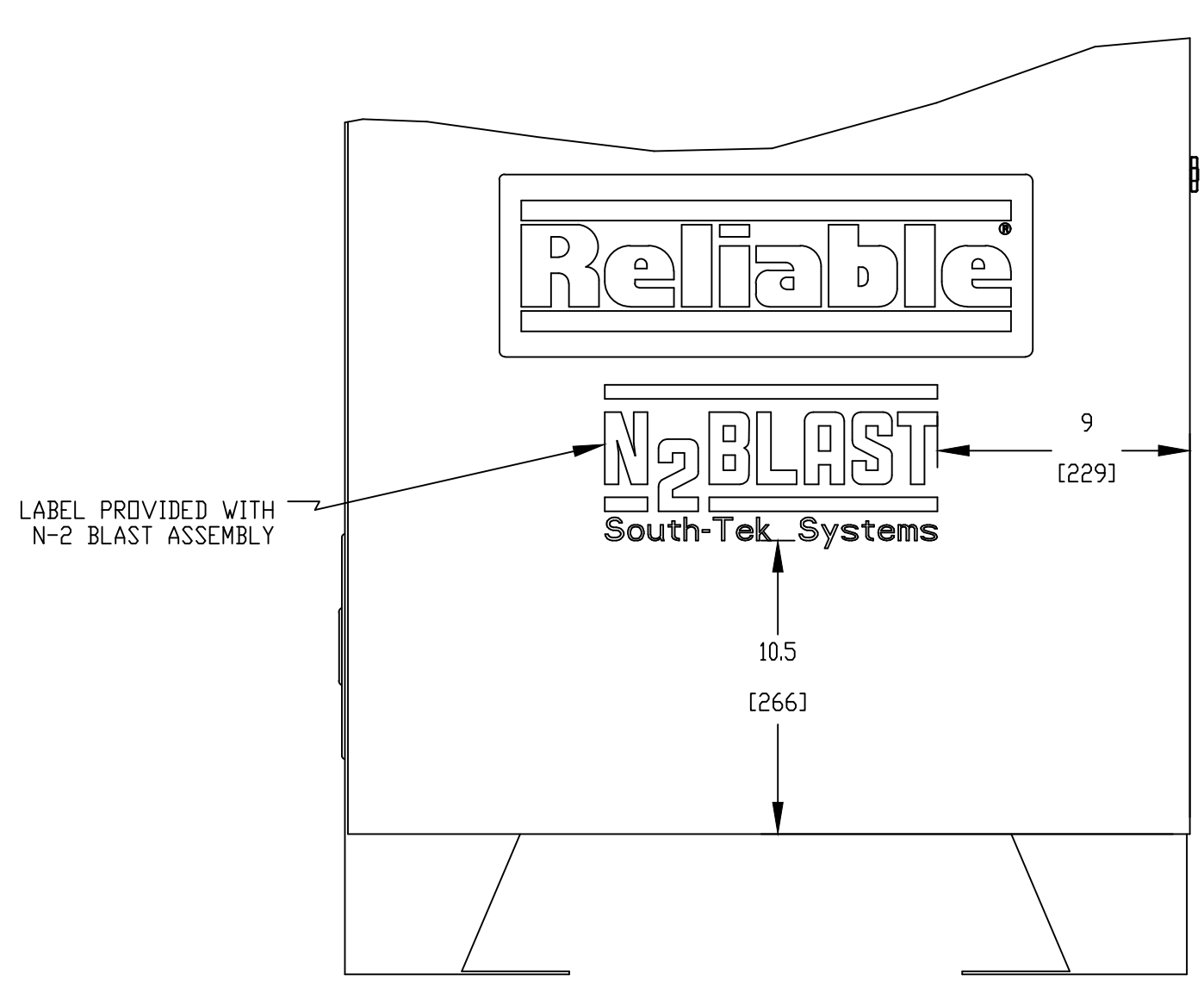
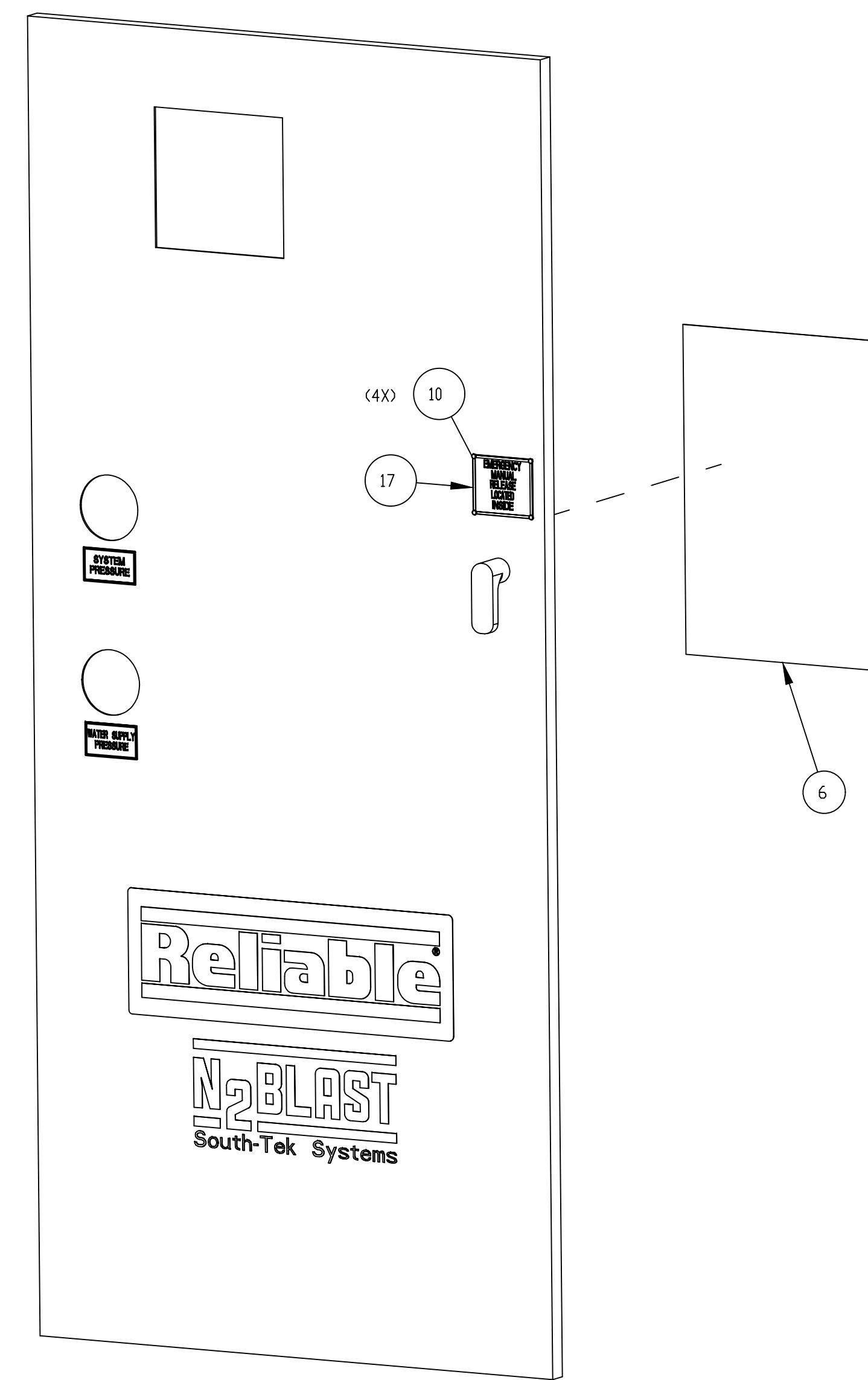
N-2 BLAST ASSEMBLY



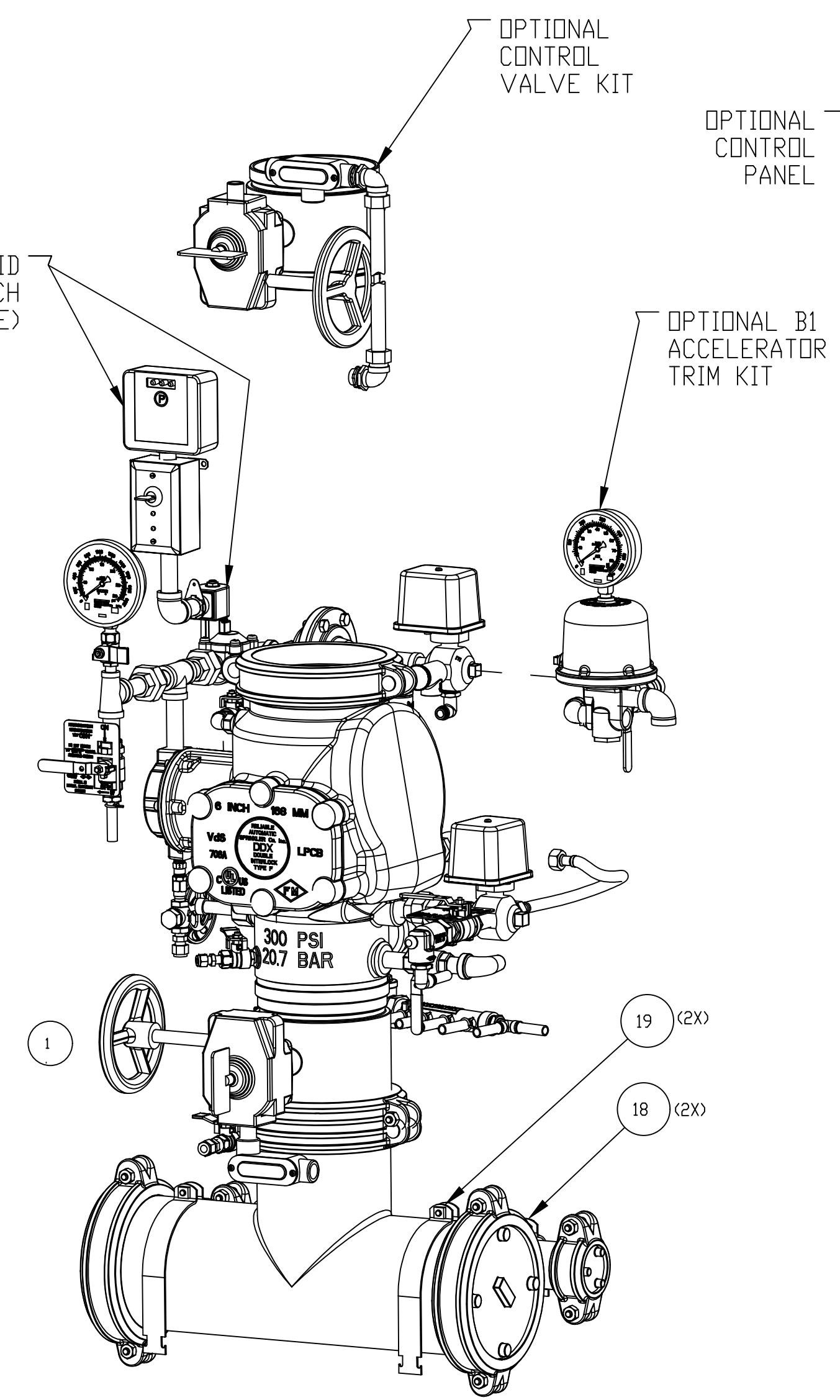
OPTION NUMBER	DESCRIPTION	AIR COMPRESSOR KIT PART NUMBER
1	KIT, AIR COMPRESSOR, 1/2HP, 115VAC	6702001022
2	KIT, AIR COMPRESSOR, 1HP, 115VAC	6702001020
3	KIT, AIR COMPRESSOR, 1/2HP, 220VAC, 60HZ	6702001023
4	KIT, AIR COMPRESSOR, 1HP, 220VAC, 60HZ	6702001021



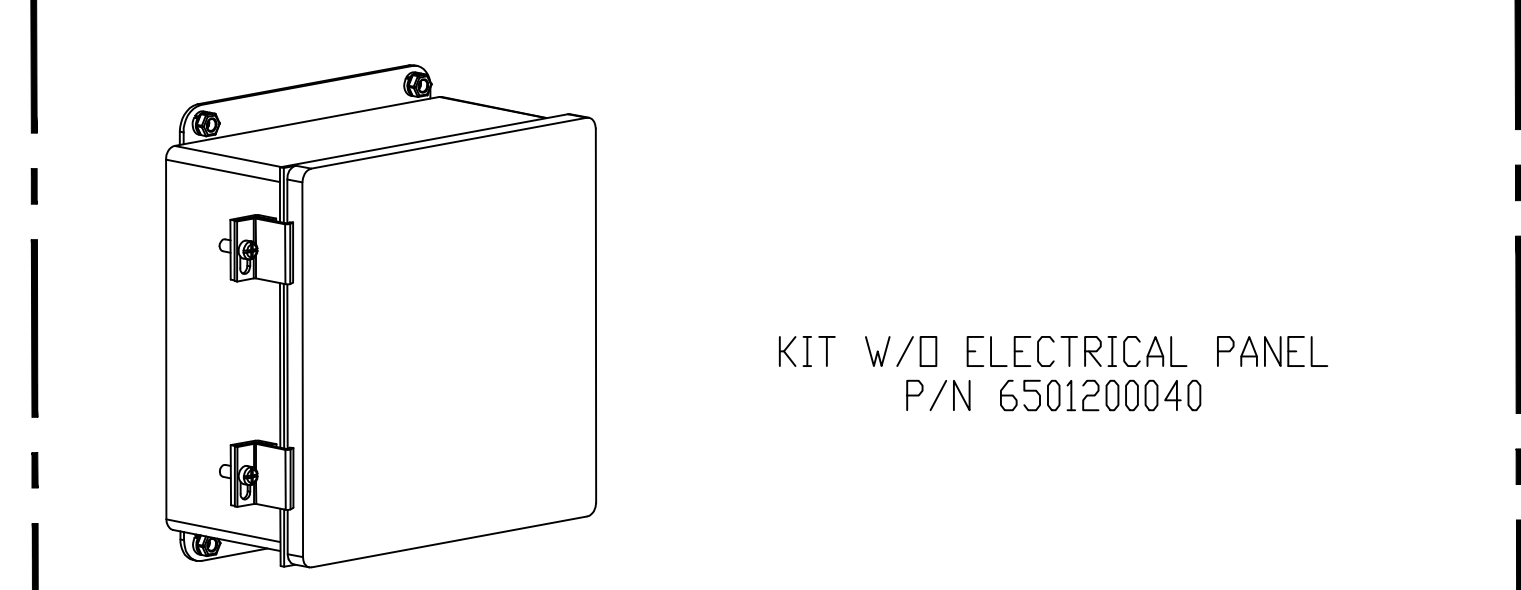
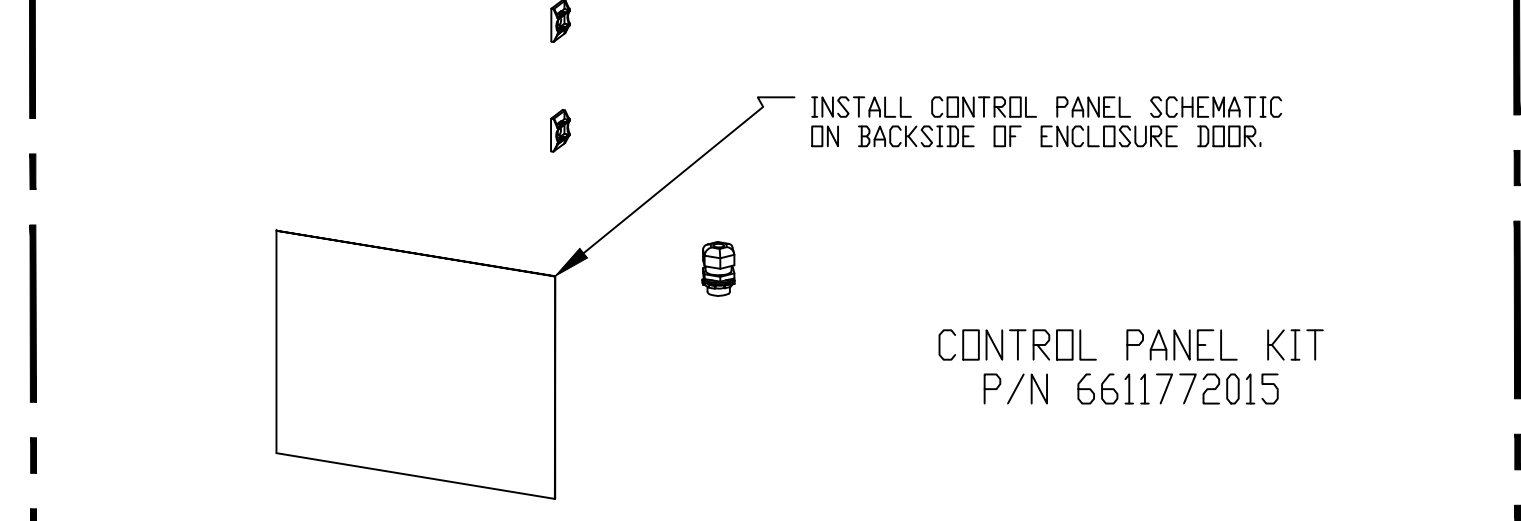
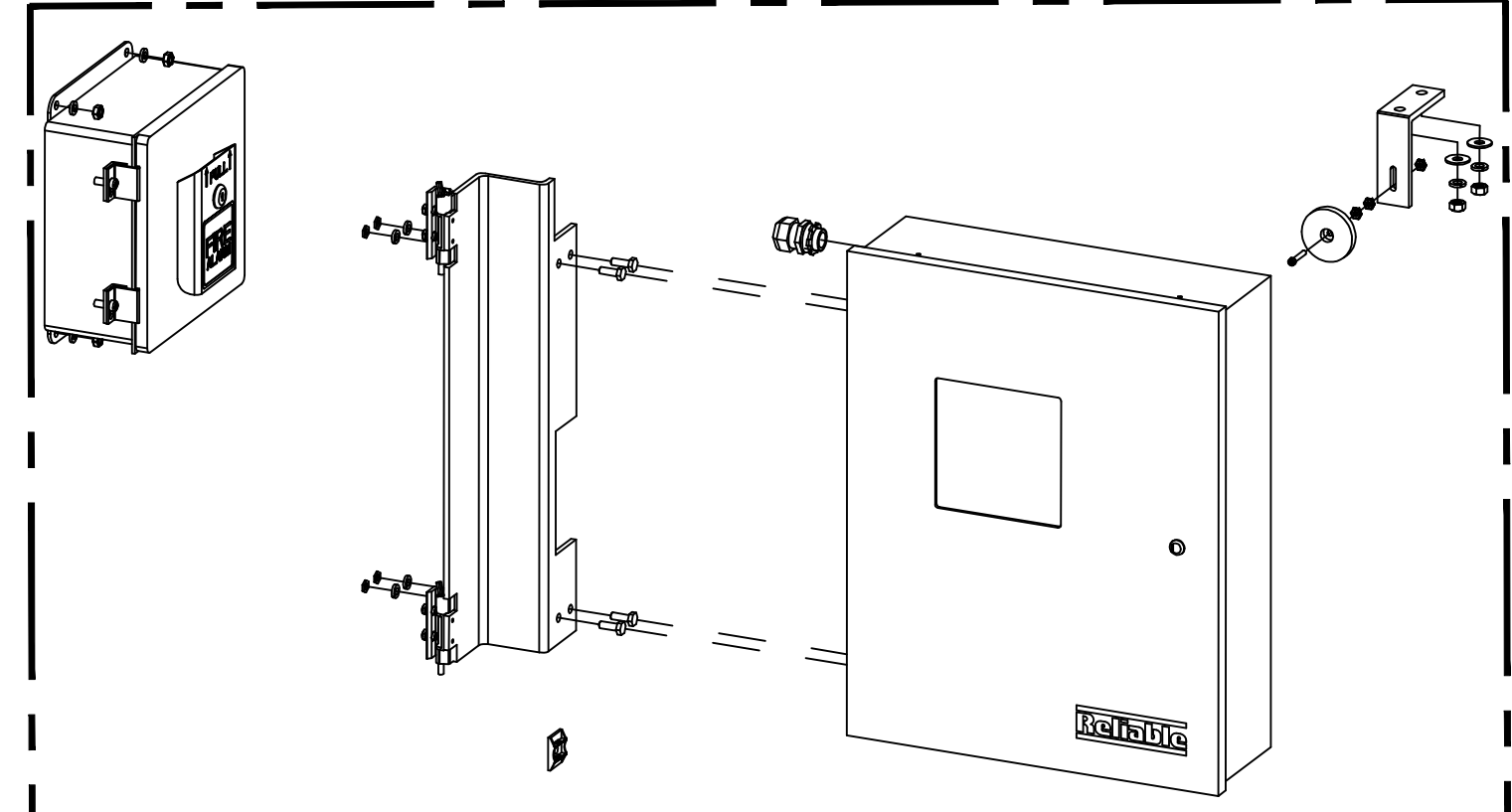
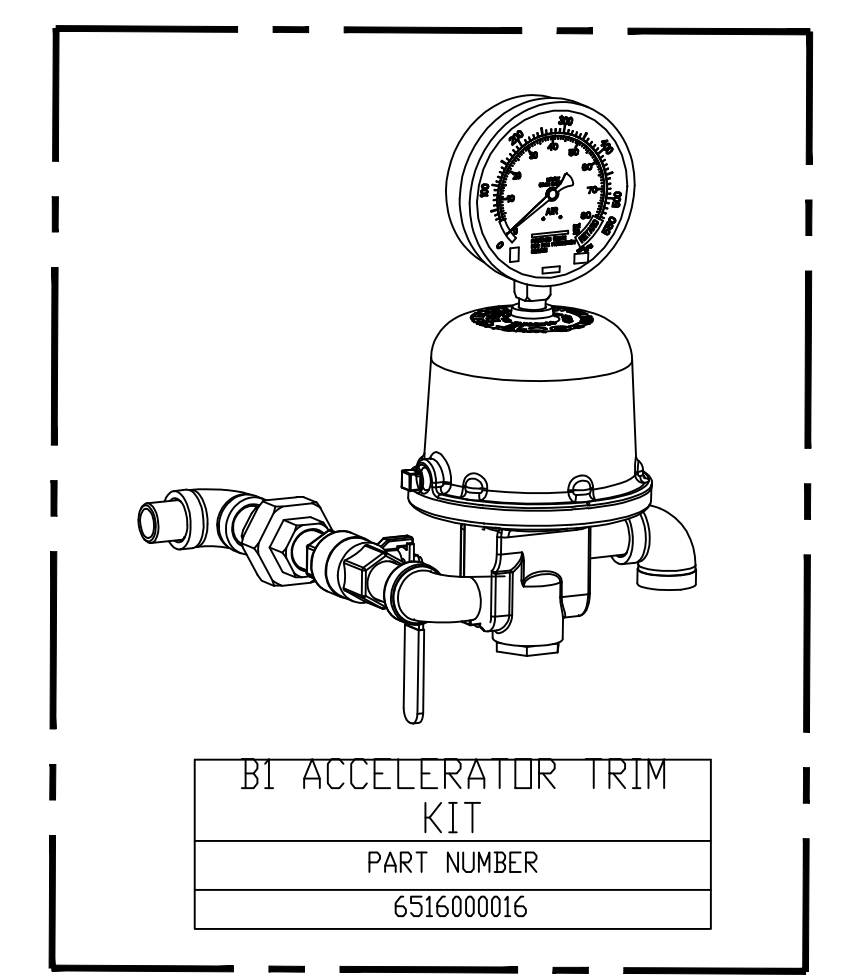
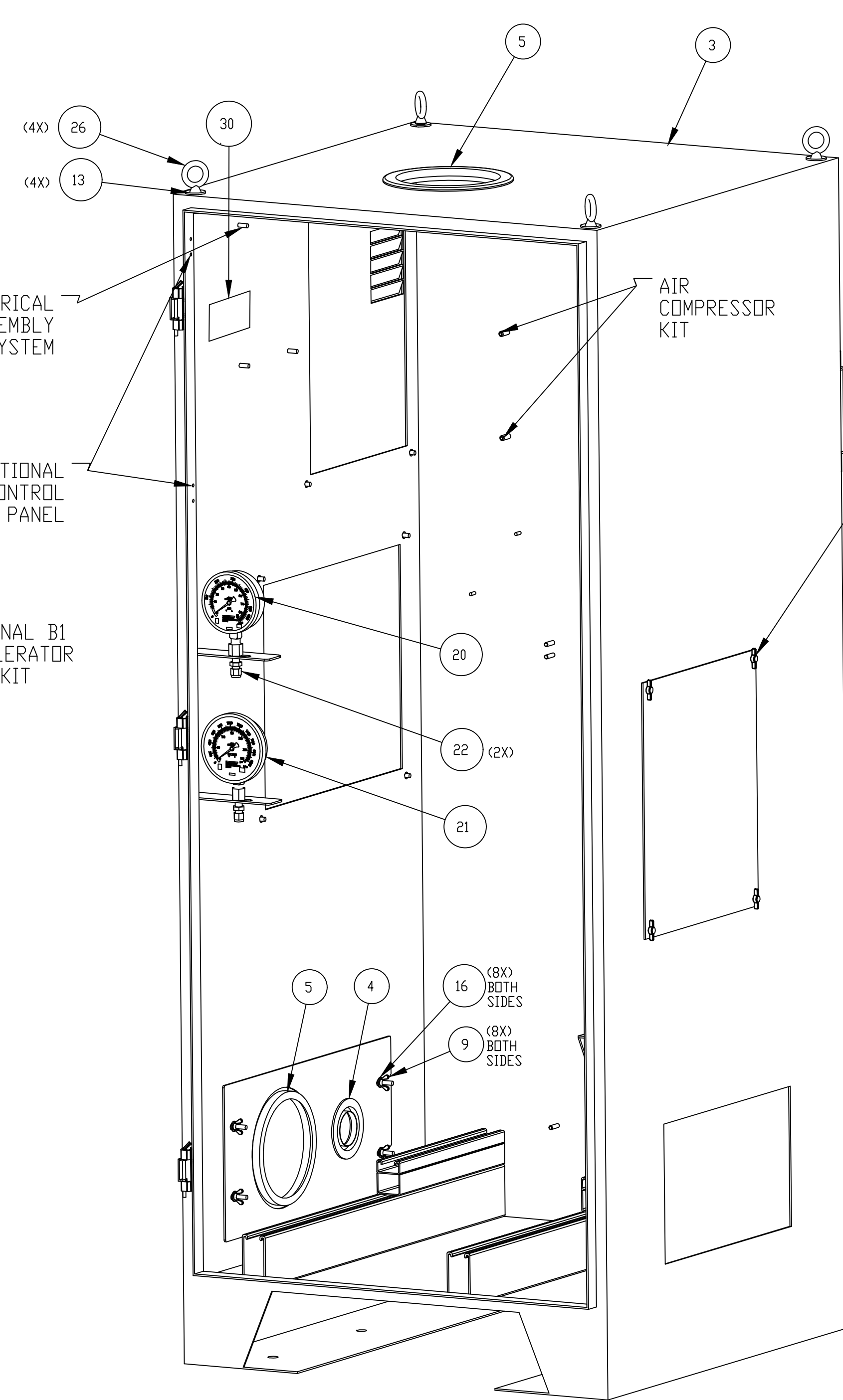
OPTION NUMBER	DESCRIPTION	CONTROL VALVE KIT PART NUMBER
1	SYSTEM SIDE CONTROL VALVE KIT	6501200027



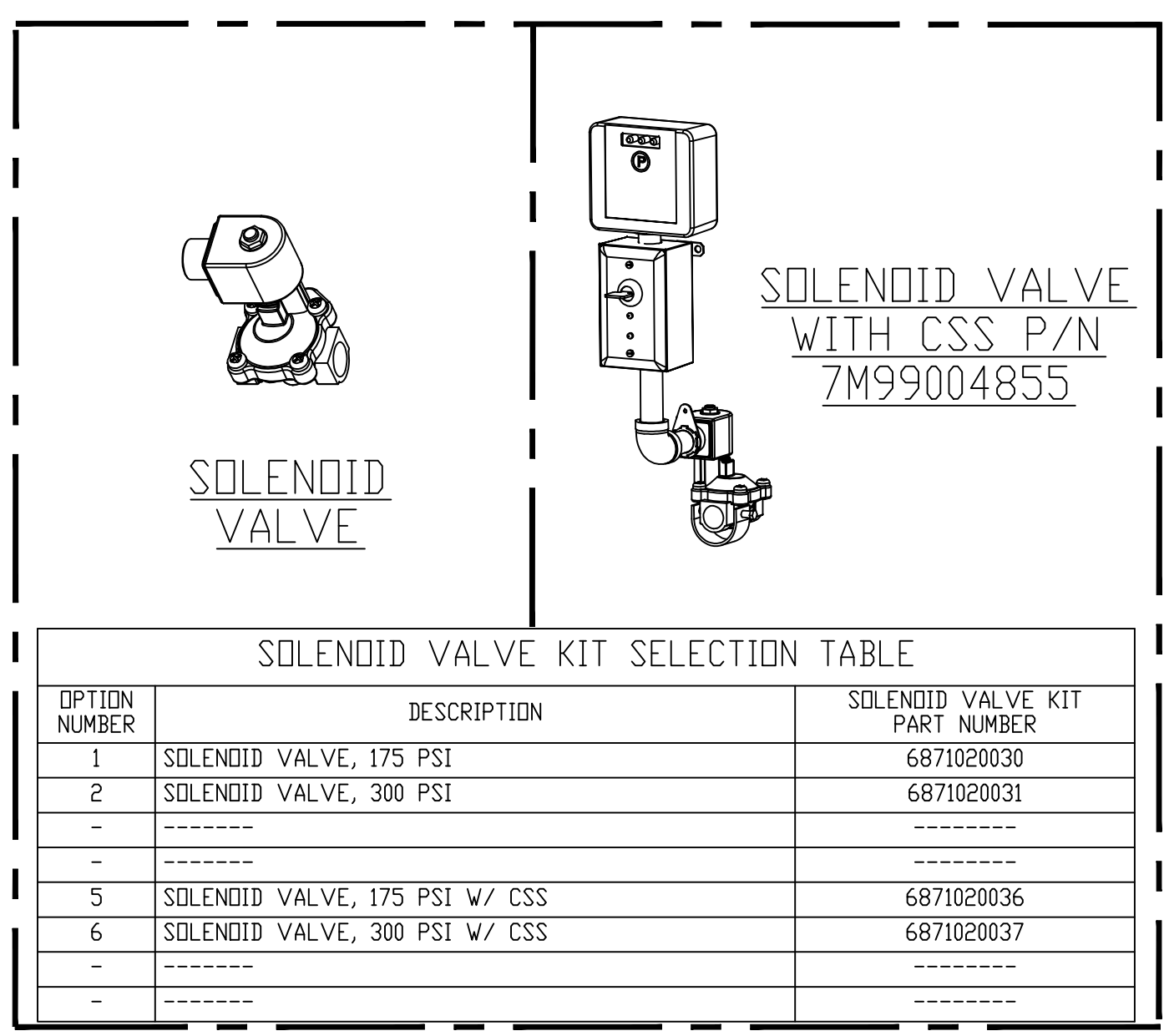
LABEL PROVIDED WITH N-2 BLAST ASSEMBLY



SYSTEM SIZE	DRYPAK	DRYPAK
6"	7701500	7701500



OPTION NUMBER	DESCRIPTION	KIT PART NUMBER
0	KIT, NO CONTROL PANEL	6501200040
1	KIT, CONTROL PANEL	661172015



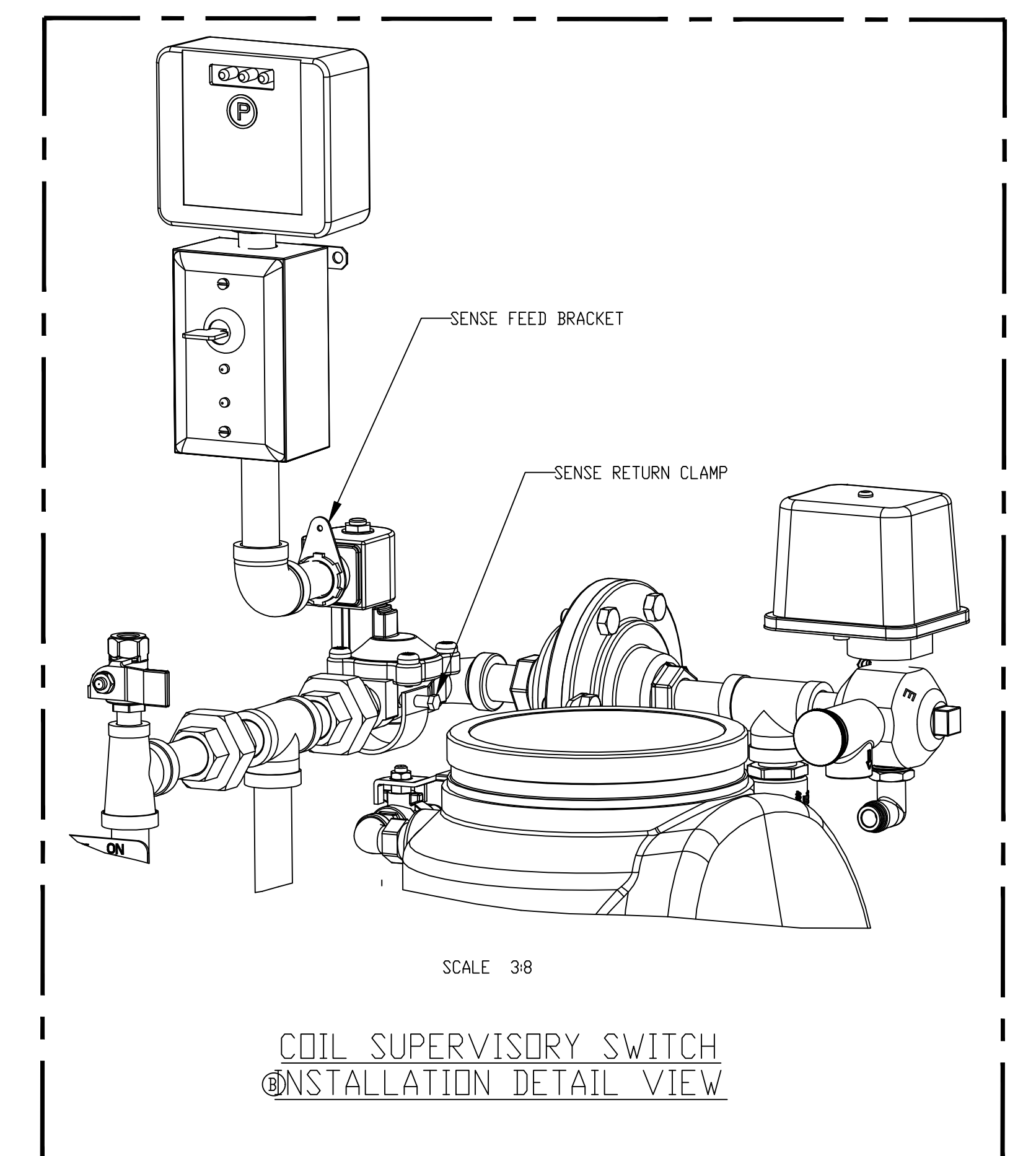
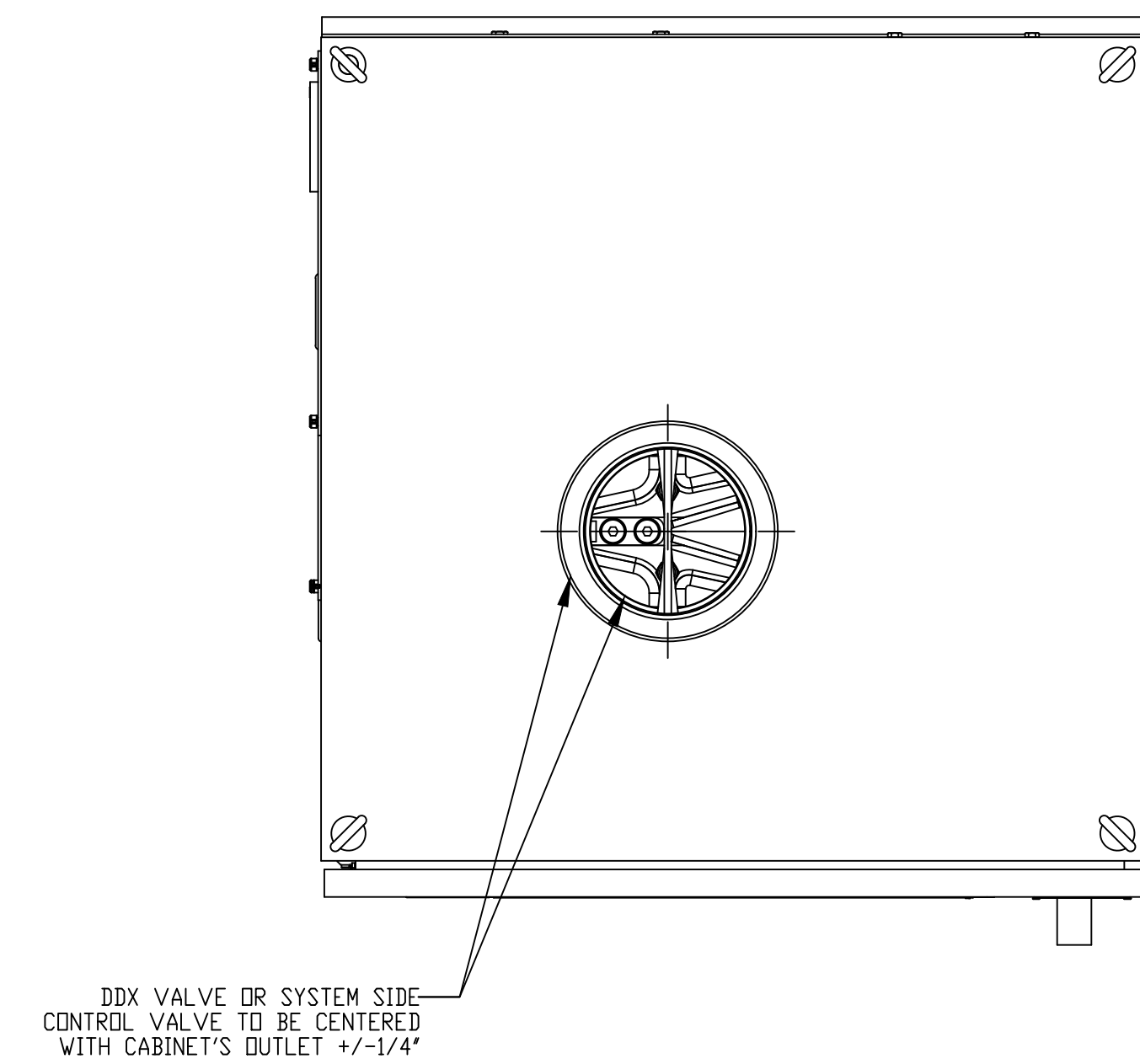
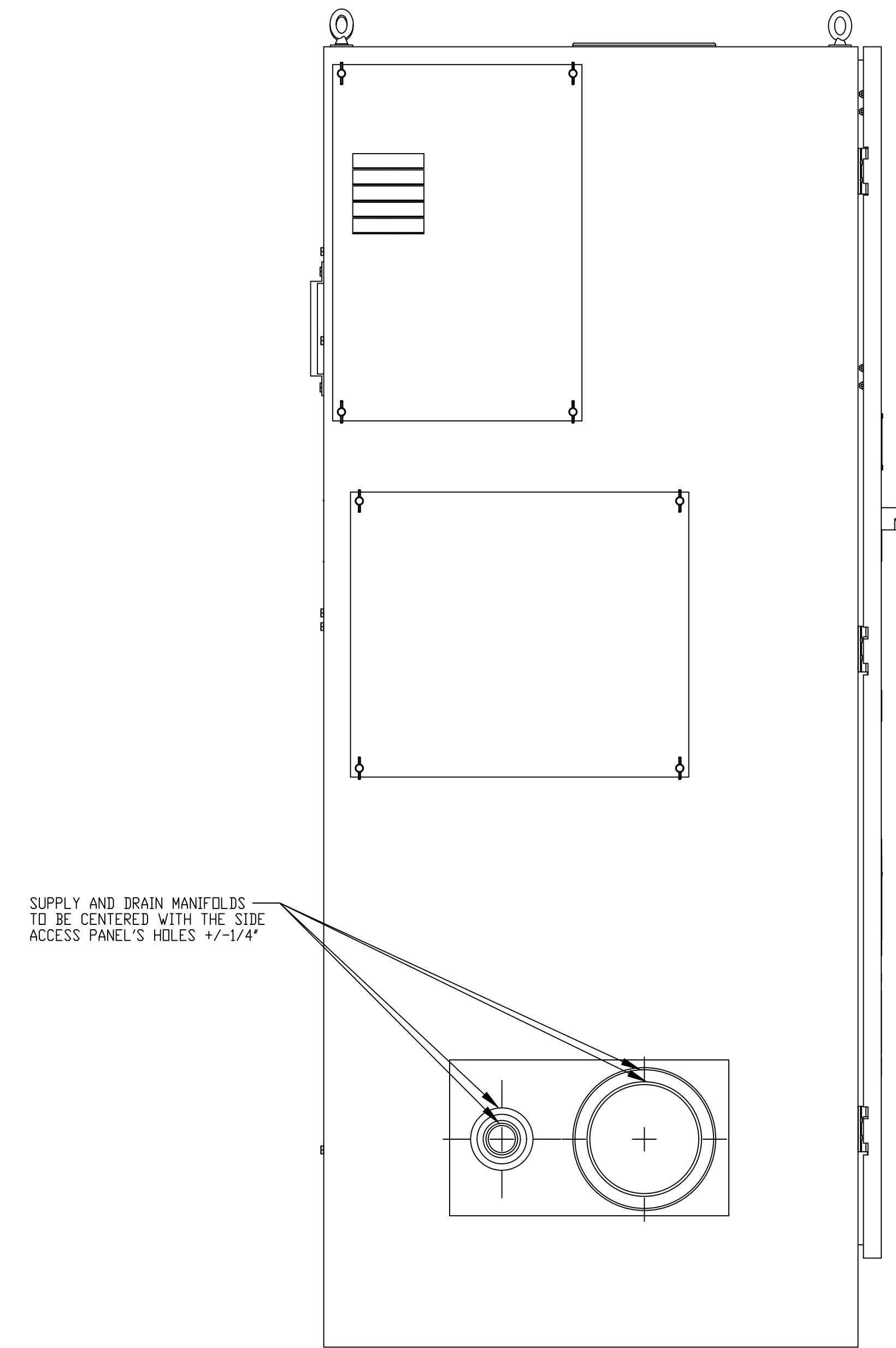
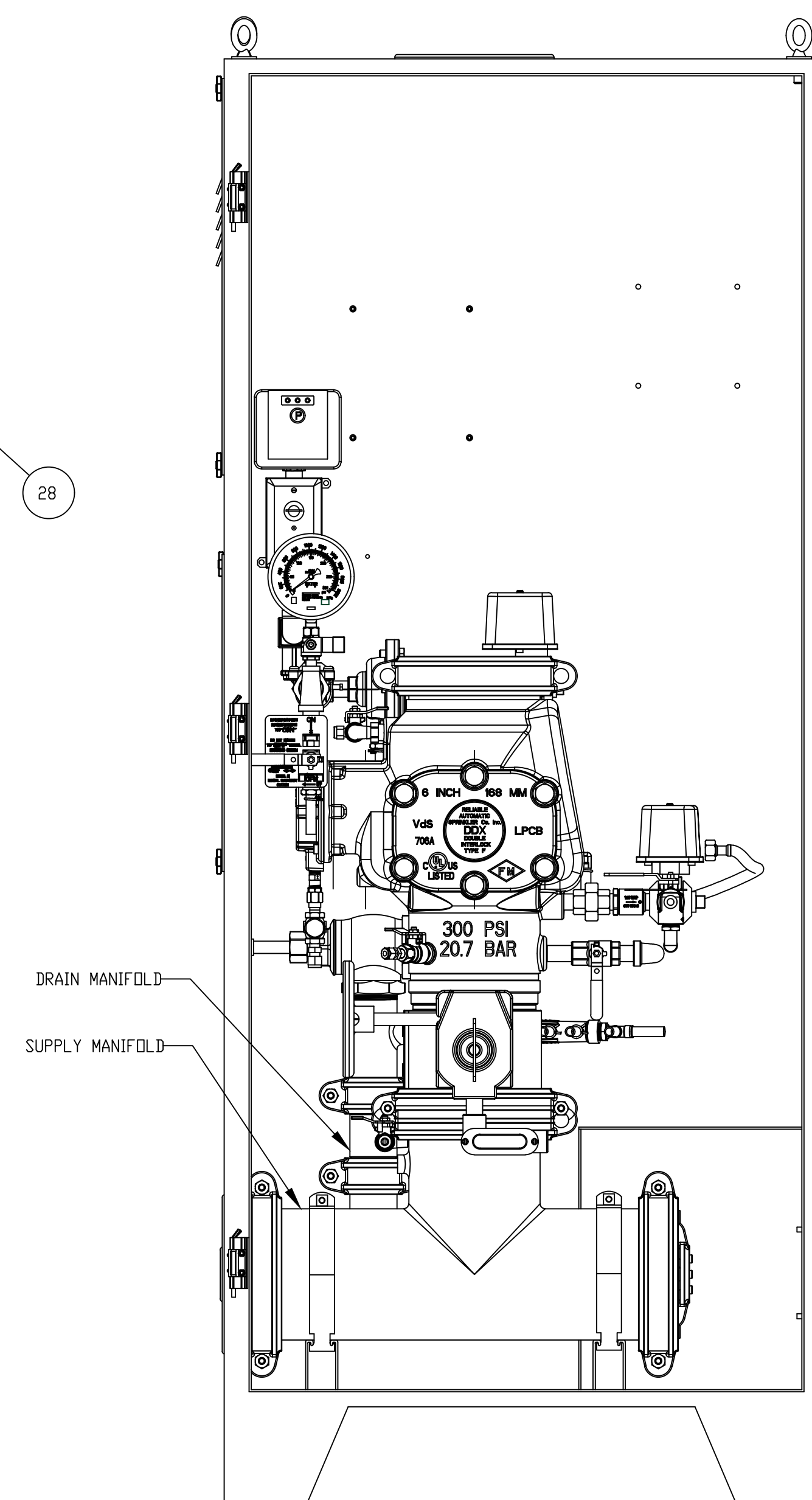
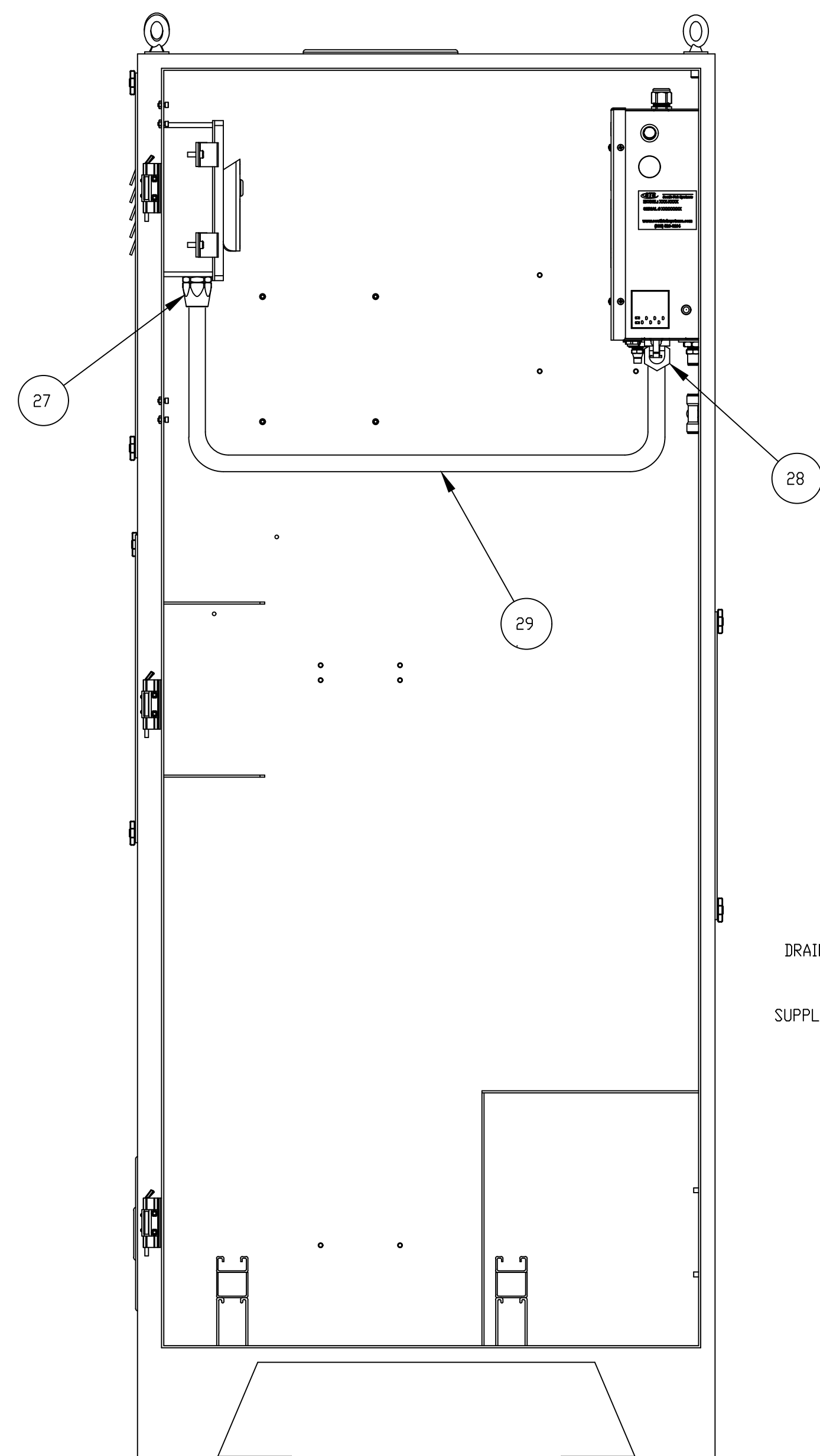
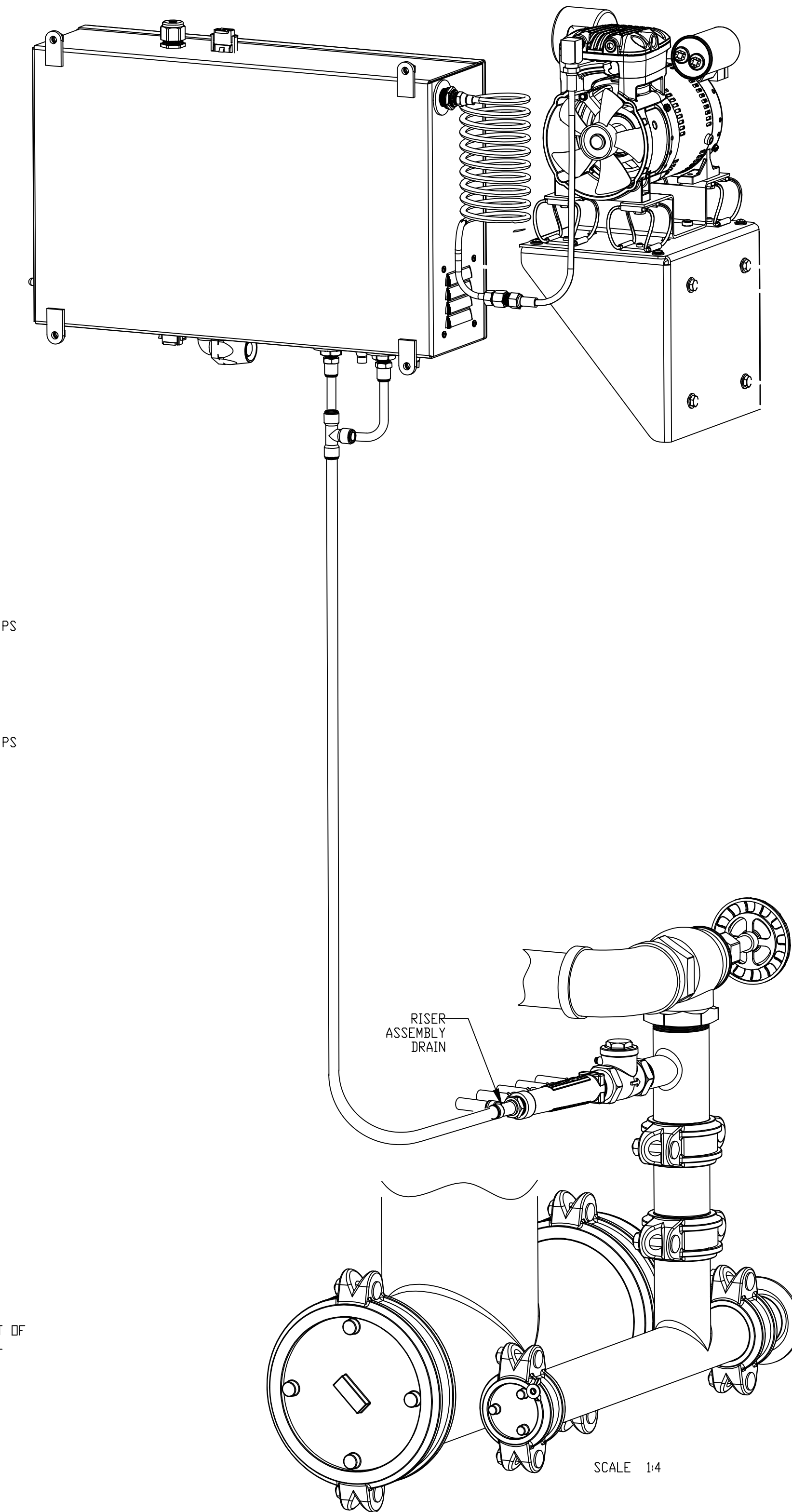
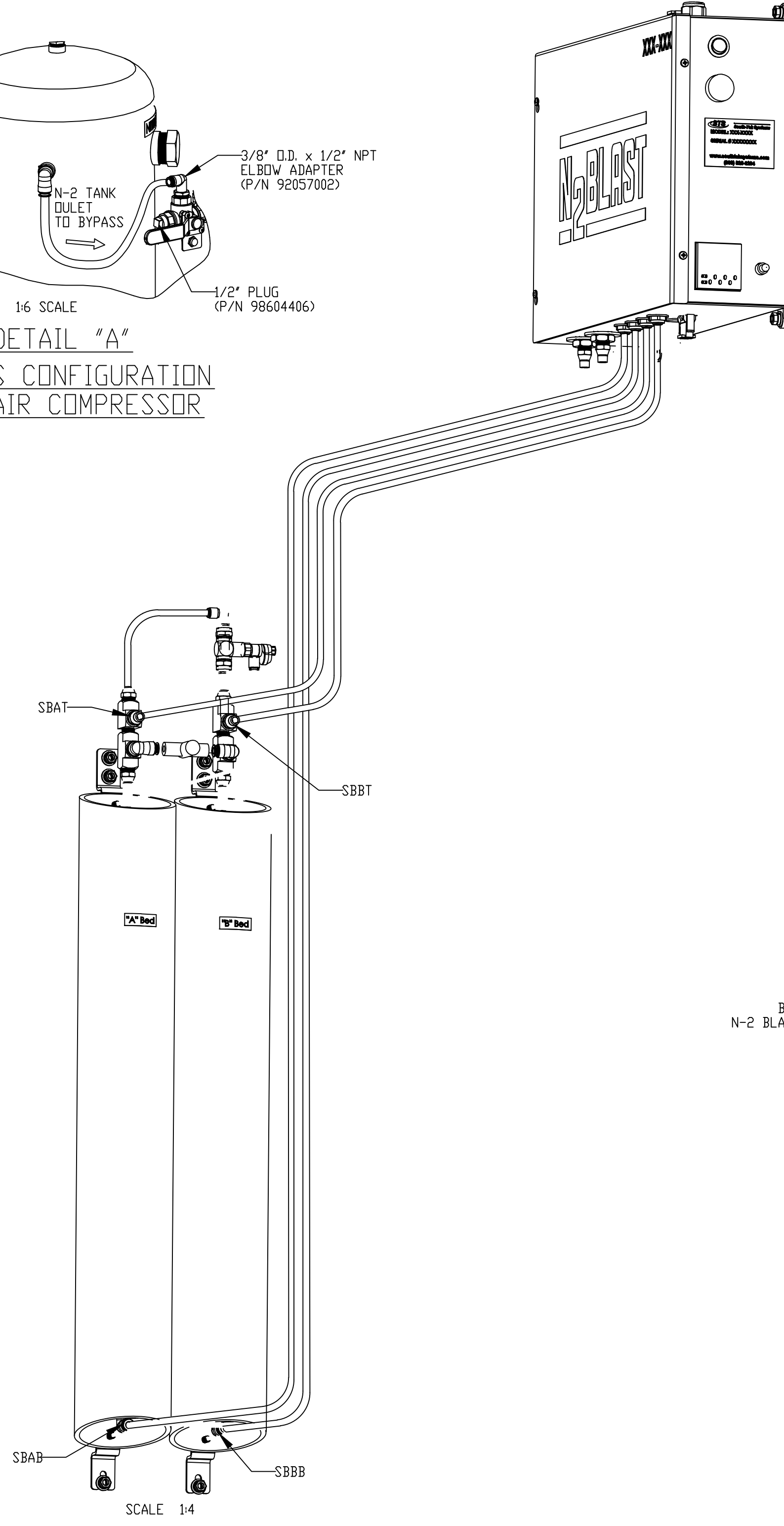
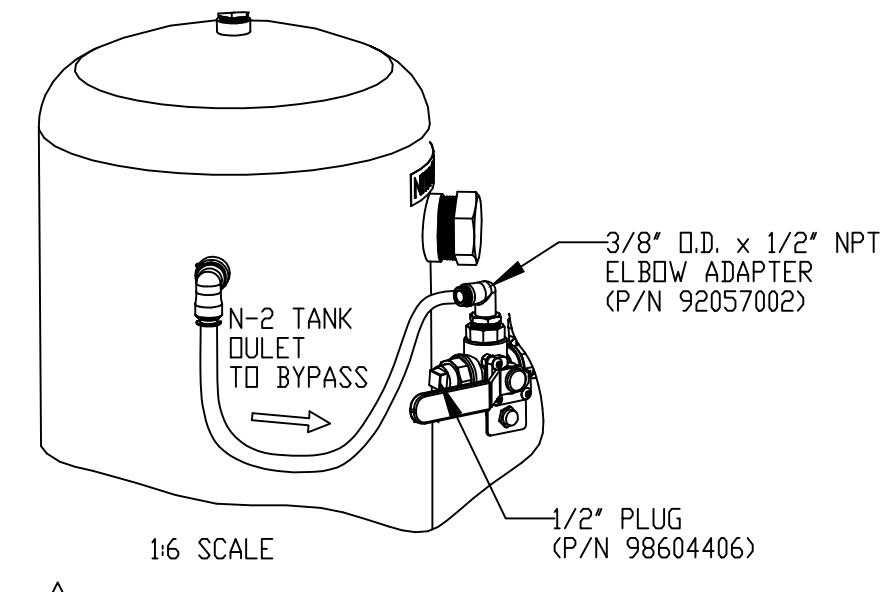
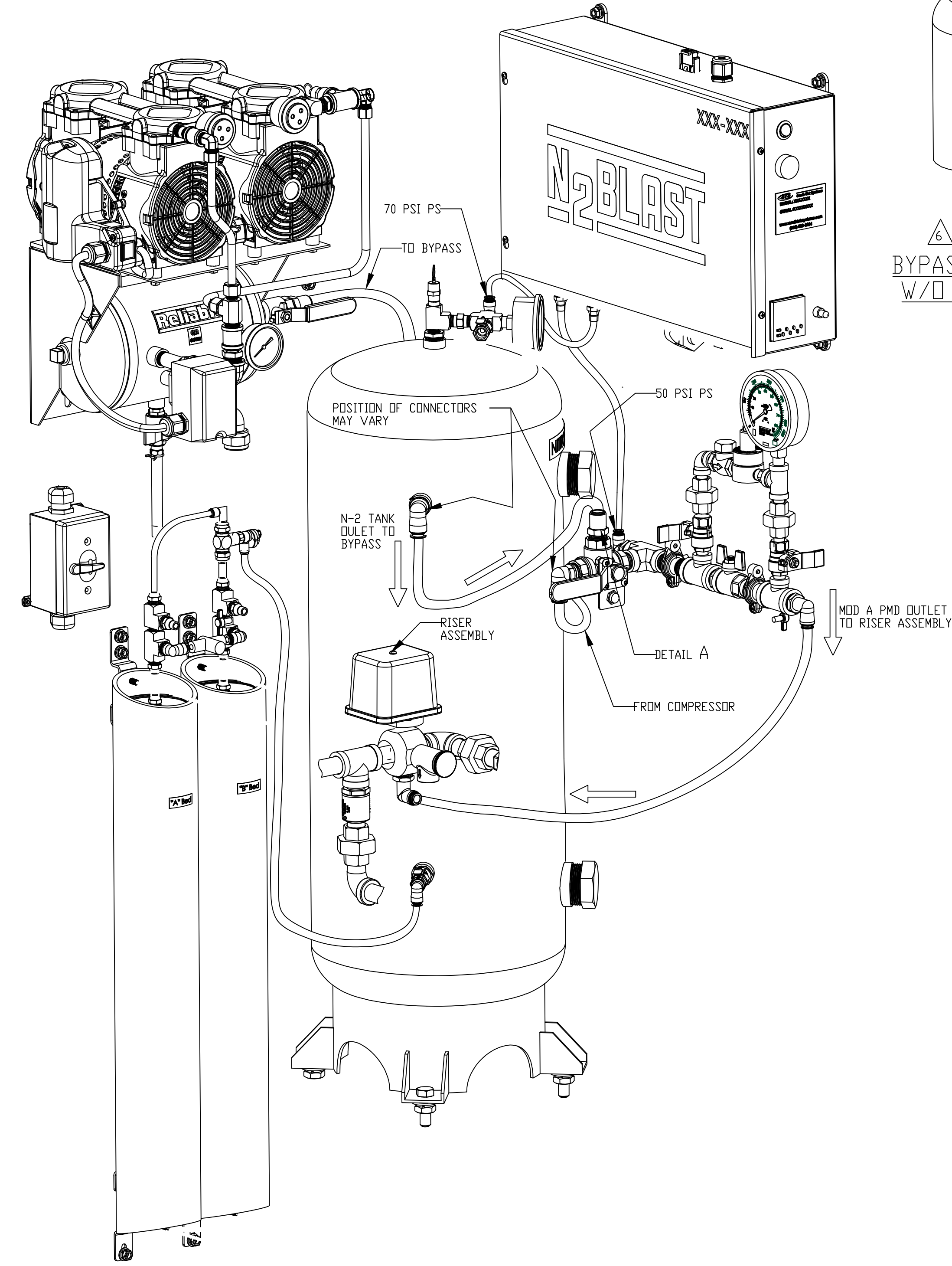
OPTION NUMBER	DESCRIPTION	SOLENOID VALVE KIT PART NUMBER
1	SOLENOID VALVE, 175 PSI	6871020030
2	SOLENOID VALVE, 300 PSI	6871020031
5	SOLENOID VALVE, 175 PSI W/ CSS	6871020036
6	SOLENOID VALVE, 300 PSI W/ CSS	6871020037

ITEM NO.	PART NO.	DESCRIPTION	REMARKS	QTY.
33	89141112	TIE, CABLE, NYLON, 14"		6
32	89141118	TIE, CABLE, NYLON, 8"		12
31	92056802	WIRE CONNECTOR, SCREW-ON		20
30	94392031	LABEL, PREPAK INSPECTION		1
29	98020027	CONDUIT 3/8", FLEX NYLONMETALLIC		6FT.
28	9802003D	CONDUIT CONNECTOR, 3/8, 90 DEGREE FLEX		1
27	9802003C	CONDUIT CONNECTOR, 3/8 STRAIGHT FLEX		1
26	9802001B	SHOULDER EYEBOLT, 1/2-13 X 1-1/2		4
25	9802000A	EXTERIOR 1/2" SPLIT PIPE CLAMP, 3/8 THREAD		2
24	770004B	KIT,NITROGEN GENERATOR,PREPAK,N2-BLAST		1
23	630400110	MODEL A PRESSURE MAINTENANCE DEVICE		1
22	98820000	UNION, BULKHEAD, FEMALE, 1/4"		2
21	98248001	GAUGE, WATER PRESSURE (0-300 PSI)		1
20	98248000	GAUGE, AIR PRESSURE (0-80 PSI)		2
19	98020052	PIPE CLAMP, 6, WITH SCREW AND NUT		2
18	98020050	PIPE CLAMP, 2, WITH SCREW AND NUT		2
17	98020043	NAMEPLATE, EMER. MANUAL RELEASE		1
16	96906902	WASHER, PLAIN, 1/4"		22
15	96906107	WASHER, SPRING LDK, 1/2"		3
14	96906103	WASHER, SPRING LDK, 1/4"		14
13	96906102	WASHER, PLAIN, 1/2"		7
12	95606125	SCREW, WING, 1/4"-20 X 1/2"		12
11	95606107	SCREW, HEX CAP, 1/2-13X1-1/2, ZINC PLATED		3
10	95456603	RIVET, BUTION HEAD, 1/8"		4
9	94906112	WING NUT, 1/4"-28		8
8	94906107	NUT, HEX 1/2"-13		3
7	94906103	NUT, HEX, 1/4"-28		14
6	94390047	LABEL, WIRING SCHEMATIC		1
5	93730005	GROMMET, PLUG, PVC, 6"		2
4	98030018	GROMMET, SEALING, 2", PVC		1
3	98030018	ENCLOSURE, BODY, 6"		1
2	92057002	ADAPTER, ELBOW 3/8" TUBE OD X 1/2" NPTF		1
1	SEE RISER P/N TABLE	RISER ASSEMBLY		1

BILL OF MATERIALS		REMARKS	
FINISH		THE RELIABLE AUTOMATIC SPRINKLER CO., INC.	
DO NOT SCALE DRAWING		LIBERTY, S.C.	
REMOVE BURRS, BREAK SHARP EDGES		PART NO: 6556211280	DWG SIZE: E
TOLERANCE UNLESS OTHERWISE SPECIFIED:		PARTY TOP ASSEMBLY, 6"	SCALE: 1/2"
ANGLE ± 1/2°		PRODUCT: DDX PREPAK N2-BLAST	FILE NO: 6556211280
PLUG FINISH	DEC. XX ± 0.0	SCALE: 1/2"	DRW BY: MK
DRILL FINISH	DEC. XXX ± 0.0	DATE: 5/18/21	C/K'D:
THREAD FINISH	DEC. XXX ± 0.0	SHEET 1 of 2	

THIS DRAWING CONTAINS INFORMATION PROPRIETARY TO THE RELIABLE AUTOMATIC SPRINKLER CORP. IT MAY NOT BE REPRODUCED OR ANY INFORMATION HEREON DISCLOSED TO OTHERS WITHOUT THE SPECIFIC WRITTEN PERMISSION OF RELIABLE.

N-2 BLAST PNEUMATIC CONNECTIONS



MTL N/A	THE RELIABLE AUTOMATIC SPRINKLER CO., INC. LIBERTY, S.C.		
FINISH	PART NO 655621280	DWG SIZE: E	
DO NOT SCALE DRAWING REMOVE BURRS, BREAK SHARP EDGES TOLERANCE UNLESS OTHERWISE SPECIFIED:	PART: TOP ASSEMBLY, 6"		
ANGLE ± 1/2°	FRACTION ± 1/32 (0.75)	PRODUCT: DDX PREPAK N2-BLAST	
PLANE FINISH	DEC. XX ± .001 (0.25)	FILE NO	ENG JJ
CONEC. 1:1.8	DEC. XXX ± .005 (0.125)	655621280	DRW BY: MK
SQUARENESS - PARALLELISM			C/K'D
		SCALE: 1/6	DATE: 5/21/21
			SHEET 20F2