

**Installation Guide**  
**FlexHead Institutional Sprinkler Connection**  
**For use with pendant and horizontal sidewall applications**

***WARNING!***

These installation instructions are for qualified and licensed technicians in the Fire Protection field only. Consult NFPA, FM Global, Underwriters Laboratory, state and local code guidelines prior to installation. Penetration through a wall or ceiling shall be acceptable by an authority having jurisdiction.

Failure to follow these specific instructions may cause personal injury. Installation technicians must read entire installation instructions prior to attempting installation of product. During maintenance, inspection, or relocation of FlexHead product fire sprinkler system must be inactive. Do Not attempt relocation or maintenance of FlexHead product while fire sprinkler system is under pressure.

**Tools Required**

Standard Pipe Wrench  
Safety Glasses  
Adjustable Wrench

**Material Required**

Sprinkler Pipe Thread Sealant  
Teflon Tape

1. **Connect FlexHead To Sprinkler Branch Line.**
  - A. Apply teflon tape and pipe sealant to one inch (1") male threaded end of FlexHead per NFPA guidelines.
  - B. Attach one inch (1") male threaded end of FlexHead to branch line with pipe wrench per NFPA, state and local code guidelines by using one inch (1") rigid pipe end of FlexHead as a wrenching surface. **Do not use welded or braided section of FlexHead hose as a wrenching surface.**
  
2. **Position FlexHead Assembly**
  - A. Bend the FlexHead hose assembly to hold the desired location. The FlexHead has a seven inch (7") minimum bend radius per FM guidelines and a three inch (3") minimum bend radius per UL guidelines. **Do Not over Bend FlexHead hose.** Slide one #1780 Sch. 40 black iron retaining flange, or pipe clamp equivalent, over FlexHead outlet fitting. The Retaining Flange or equivalent is used to prevent axial movement of the sprinkler away from the ceiling or wall. If Retaining Flange or equivalent is not used some other method of securing the FlexHead must be used to prevent movement of the sprinkler. **Penetration through the ceiling or wall shall be acceptable by authority having jurisdiction.**
  - B. Insert outlet fitting end of FlexHead unit into prepared hole in concrete ceiling or wall.
  - C. From opposite side of the ceiling or wall attach sprinkler head, properly prepared with teflon tape and sealant to FlexHead outlet fitting per NFPA and sprinkler head manufacturer guidelines.
  - D. From opposite side of the ceiling or wall adjust the FlexHead hose until sprinkler head is in desired position. Slide retaining flange against wall and tighten set screw. **Make sure sprinkler head and retaining flange form a tight fit on concrete ceiling or wall with no gaps.**
  
3. **Complete Installation**
  - A. Test installation of sprinkler system for any leaks per NFPA guidelines.
  - B. Install sprinkler escutcheon per manufacturer's guidelines when applicable.

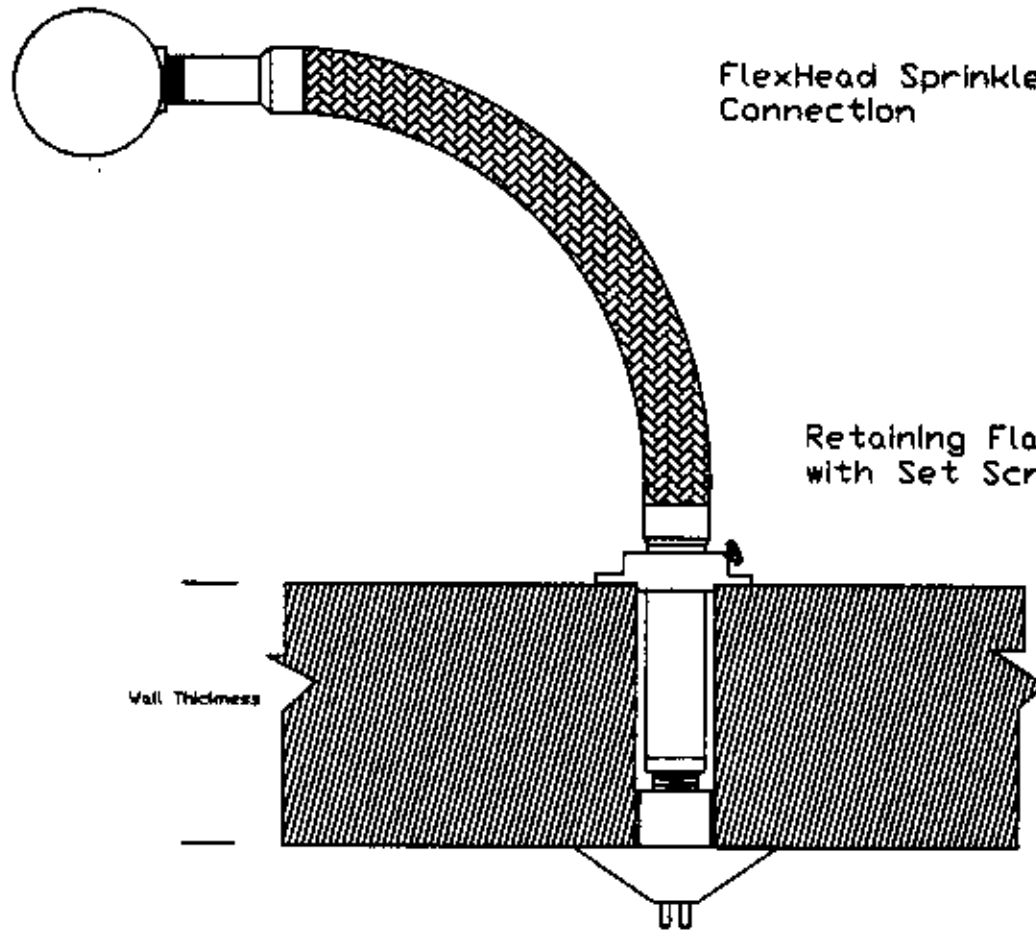
Sprinkler Branchline

FlexHead Sprinkler Connection

Retaining Flange with Set Screw

Wall Thickness

Pendent Sprinkler



REV	DATE	DESCRIPTION

FlexHead Pendent Institutional Sprinkler Connection

**FLEXHEAD**  
INDUSTRIES

Fax 308-693-6881  
Phone 308-693-9096

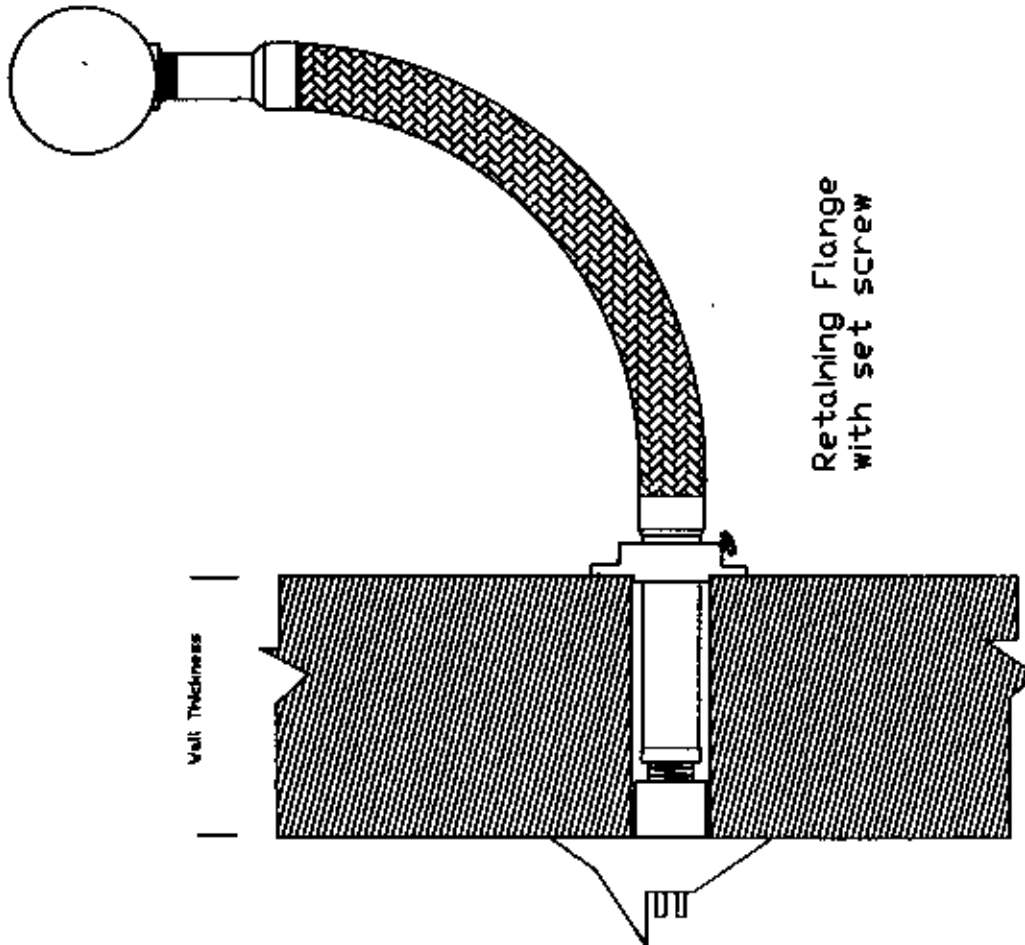
This drawing is the property of FlexHead Industries, Inc. and shall be returned without compensation or duplication of any form upon request, and in any event no later than 10 business days after the date of the equipment. While in the possession of the customer, it shall be properly maintained and returned to the company in good condition. The company shall not be held responsible for any damage to the information contained herein.

Drawn By: TEF

JOB No:

SHEET 1 OF 1

Sprinkler Branchline



FlexHead Sprinkler Connection

Retaining Flange with set screw

Vault Thickness

Horizontal Sidewall Sprinkler

**FLEXHEAD**  
INDUSTRIES

Fax 508-893-4000  
Phone 508-893-3994

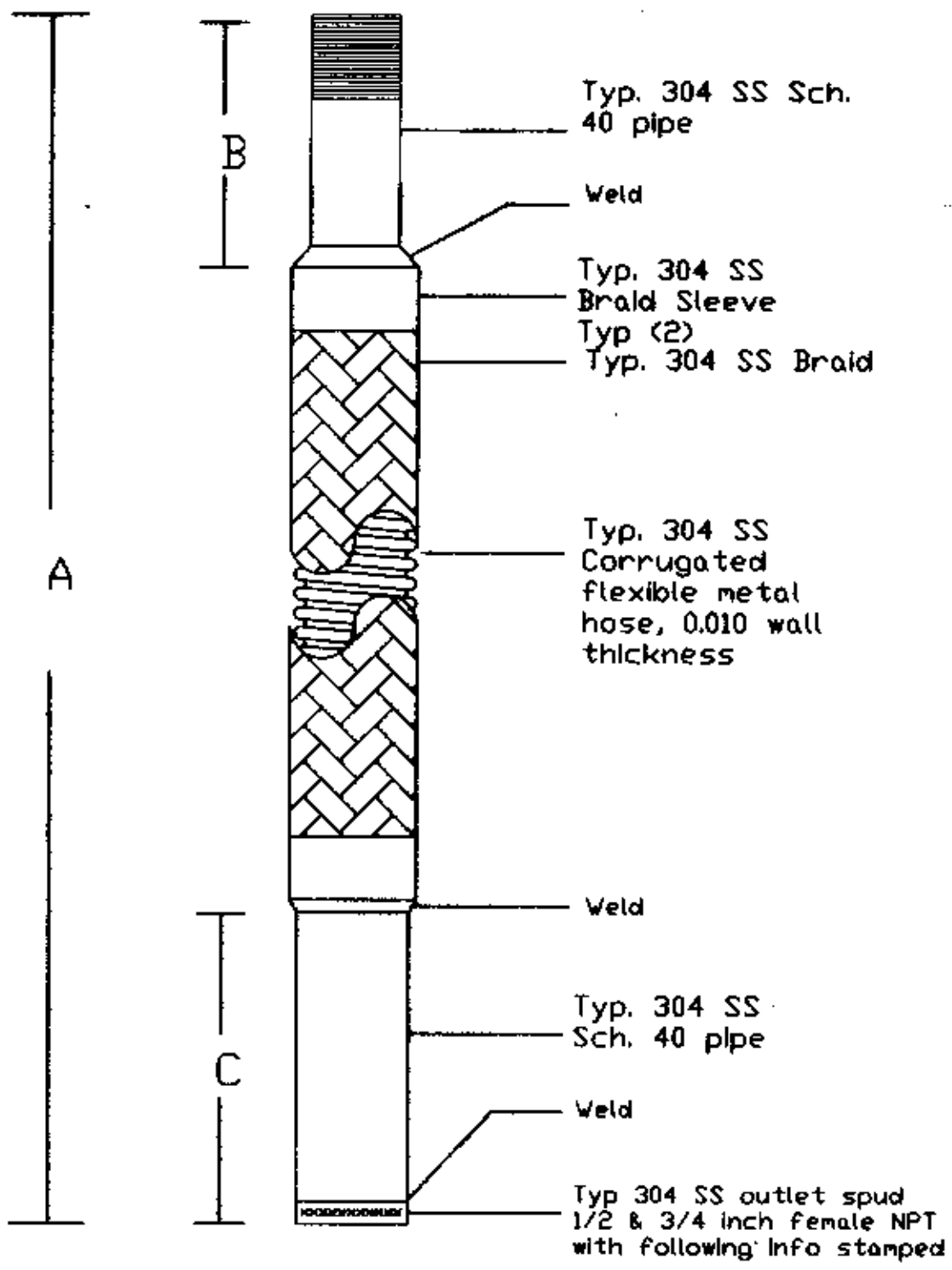
FlexHead Sidewall Institutional Sprinkler Connection

SHEET 1 OF 1

REV	DATE	DESCRIPTION

DESIGN: Rev. 107

This drawing is the property of FlexHead Industries, Inc. and shall be returned without reproduction or duplication of any part hereon. It is the user's responsibility to check all dimensions and specifications for each installation. While in the possession of the user, it shall be used only for the purpose for which it was prepared. FlexHead Industries, Inc. makes no warranty for the use of this drawing for any other purpose. FlexHead Industries, Inc. reserves the right to change this drawing without notice.



Model #	A (in.)	B (in.)	C (in.)
2024I	24	3	8.0
2036I	36	3	8.0
2048I	48	3	8.0
2060I	60	3	8.0
2072I	72	3	8.0

FlexHead us (LL) c 2003 Flow &  
 M# 20XX 72M 175 PSI 370F

REV	DATE	DESCRIPTION

FlexHead Institutional  
 Sprinkler Connections  
 M# 2024I, 2036I, 2048I, 2060I,  
 and 2072I

File Name: Flex 2000  
 01-02

Scale: 1:1  
 Drawing No: 2-4

**FLEXHEAD**  
 INDUSTRIES

PART No: \_\_\_\_\_ SHEET 1 OF 1

THIS DRAWING, SPECIFICATIONS, AND CONCEPTS CONTAINED HEREIN ARE THE  
 SOLE PROPERTY OF FLEXHEAD INDUSTRIES, AND MAY NOT BE REPRODUCED OR USED IN ANY  
 FASHION WITHOUT THE PRIOR WRITTEN PERMISSION OF FLEXHEAD INDUSTRIES, INC.