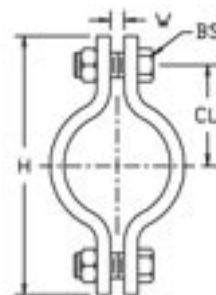


# Pipe Clamps

## Model #450 Standard Pipe Clamp

**APPLICATION:** An industrial pipe hanger for hot or cold service where no insulation is required.

**NOTE:** #450 is normally used in conjunction with #40 Eye Rod or #35 Weldless Eye Nut. Another line may be suspended from the bottom bolt of this hanger.



Part No.	Pipe Size	H	CL	BS	W	Max. Recom. Load (lbs)	Finish*
4500050EG	1/2	3-1/16	1	5/16	7/16	500	EG
4500075EG	3/4	3-5/16	1-1/8	5/16	7/16	500	EG
4500100EG	1	3-9/16	1-1/4	5/16	7/16	500	EG
4500100PL	1	3-9/16	1-1/4	5/16	7/16	500	PL
4500125EG	1-1/4	3-15/16	1-7/16	5/16	7/16	500	EG
4500125PL	1-1/4	3-15/16	1-7/16	5/16	7/16	500	PL
4500150EG	1-1/2	4-1/4	1-5/8	5/16	5/8	800	EG
4500150PL	1-1/2	4-1/4	1-5/8	5/16	5/8	800	PL
4500200EG	2	5-1/2	2-1/8	3/8	5/8	1040	EG
4500200PL	2	5-1/2	2-1/8	3/8	5/8	1040	PL
4500250EG	2-1/2	6-3/8	2-5/8	1/2	5/8	1040	EG
4500250PL	2-1/2	6-3/8	2-5/8	1/2	5/8	1040	PL
4500300EG	3	7	2-15/16	1/2	5/8	1040	EG
4500300PL	3	7	2-15/16	1/2	5/8	1040	PL
4500350EG	3-1/2	7-9/16	3-3/16	1/2	5/8	1040	EG
4500350PL	3-1/2	7-9/16	3-3/16	1/2	5/8	1040	PL
4500400EG	4	8-5/8	3-5/8	1/2	5/8	1040	EG
4500400PL	4	8-5/8	3-5/8	1/2	5/8	1040	PL
4500500EG	5	10-5/8	4-3/16	1/2	5/8	1040	EG
4500500PL	5	10-5/8	4-3/16	1/2	5/8	1040	PL
4500600EG	6	11-5/8	5	1/2	7/8	1615	EG
4500600PL	6	11-5/8	5	1/2	7/8	1615	PL
4500800EG	8	13-7/8	6-1/8	3/4	1	1615	EG
4500800PL	8	13-7/8	6-1/8	3/4	1	1615	PL
4501000EG	10	17	7-7/16	3/4	1	2490	EG
4501000PL	10	17	7-7/16	3/4	1	2400	PL
4501200EG	12	18-15/16	8-7/16	3/4	1	2400	EG
4501200PL	12	18-15/16	8-7/16	3/4	1	2400	PL
4501400EG	14	21	9	3/4	1-1/8	2400	EG
4501400PL	14	21	9	3/4	1-1/8	2400	PL
4501600EG	16	23	10	3/4	1-1/8	2400	EG
4501600PL	16	23	10	3/4	1-1/8	2400	PL
4501800EG	18	26-1/8	11-3/4	1	1-1/4	3060	EG
4501800PL	18	26-1/8	11-3/4	1	1-1/4	3060	PL
4502000EG	20	29	13-1/4	1-1/8	1-3/8	3060	EG
4502000PL	20	29	13-1/4	1-1/8	1-3/8	3060	PL
4502400EG	24	33-1/2	15	1-1/4	1-5/8	3060	EG
4502400PL	24	33-1/2	15	1-1/4	1-5/8	3060	PL
4503000EG	30	42	18-3/4	1-3/4	2	3500	EG
4503000PL	30	42	18-3/4	1-3/4	2	3500	PL

**Conforms With:** Federal Specification **WW-H-171** (Type 4), Manufacturers Standardization Society **ANSI/MSS-SP-58** (Type 4); install in accordance with **ANSI/MSS-SP-69**

All dimensions are in inches unless otherwise noted.

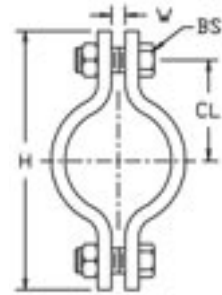
\*See page 2 for finish and material descriptions. All material is Carbon Steel unless otherwise noted.

# Pipe Clamps

## Model #451 Heavy Duty Pipe Clamp

**APPLICATION:** An industrial pipe hanger for hot or cold service where no insulation is required.

**NOTE:** #451 is normally used with Models #40 Eye Rod or #35 Weldless Eye Nut. Another line may be suspended from the bottom bolt of this hanger.



Part No.	Pipe Size	H	CL	BS	W	Max. Recom. Load (lbs)**	Finish*
4510300PL	3	7-13/16	3-1/8	3/4	1	3370	PL
4510400PL	4	9-9/16	3-3/4	7/8	1	3515	PL
4510500PL	5	10-3/4	4-3/8	7/8	1	3515	PL
4510600PL	6	13	5-1/4	1	1-1/8	4865	PL
4510800PL	8	15-1/8	6-1/4	1	1-1/8	4865	PL
4511000PL	10	19-1/16	8-5/16	1-1/4	1-1/4	6010	PL
4511200PL	12	22-3/4	9-7/8	1-1/2	1-5/8	8675	PL
4511400PL	14	24-13/16	10-5/8	1-1/2	1-5/8	9120	PL
4511600PL	16	27-3/16	11-13/16	1-1/2	1-5/8	9120	PL
4511800PL	18	38-1/2	15-1/4	2	3	13800	PL
4512000PL	20	42-1/8	17-1/16	2	3	15300	PL
4512400PL	24	48-1/4	19-5/8	2-1/4	3-1/4	16300	PL

8

\*\* Load Ratings meet ANSI Code and are supported by physical testing.

Conforms With: Federal Specification **WW-H-171** (Type 4), Manufacturers Standardization Society **ANSI/MSS-SP-58** (Type 4); install in accordance with **ANSI/MSS-SP-69**.



All dimensions are in inches unless otherwise noted.  
\*See page 2 for finish and material descriptions. All material is Carbon Steel unless otherwise noted.

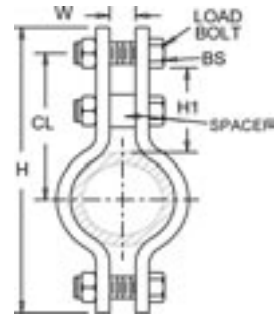
# Pipe Clamps

## Model #452

### Standard Double Bolt Pipe Clamp

**APPLICATION:** As an industrial pipe clamp for hot service where up to 4" of insulation and flexibility at rod attachment is desired. Load bolt will extend past 4" insulation for pipe sizes 6" and larger.

**NOTE:** #452 is normally used with Models #40 Eye Rod or #35 Weldless Eye Nut. Another line may be suspended from the bottom bolt of this hanger.



Part No.	Pipe Size	H	H1**	CL	BS	W	Max. Recom. Load (lbs)†	Finish*
4520050EG	1/2	4-1/4	1-5/8	2-7/16	3/8	5/8	850	EG
4520050PL	1/2	4-1/4	1-5/8	2-7/16	3/8	5/8	850	PL
4520075EG	3/4	4-1/4	1-1/2	2-7/16	3/8	5/8	850	EG
4520075PL	3/4	4-1/4	1-1/2	2-7/16	3/8	5/8	850	PL
4520100EG	1	4-1/2	1-1/2	2-9/16	3/8	5/8	850	EG
4520100PL	1	4-1/2	1-1/2	2-9/16	3/8	5/8	850	PL
4520125EG	1-1/4	4-13/16	1-7/16	2-11/16	3/8	5/8	850	EG
4520125PL	1-1/4	4-13/16	1-7/16	2-11/16	3/8	5/8	850	PL
4520150EG	1-1/2	7-1/4	2-1/2	4-1/8	5/8	1-1/16	1380	EG
4520150PL	1-1/2	7-1/4	2-1/2	4-1/8	5/8	1-1/16	1380	PL
4520200EG	2	8-9/16	3-1/4	5-1/8	5/8	1-1/16	1380	EG
4520200PL	2	8-9/16	3-1/4	5-1/8	5/8	1-1/16	1380	PL
4520250EG	2-1/2	9-11/16	3-1/4	5-3/8	5/8	1-1/16	1380	EG
4520250PL	2-1/2	9-11/16	3-1/4	5-3/8	5/8	1-1/16	1380	PL
4520300EG	3	10-3/16	3-1/2	5-15/16	5/8	1-1/16	1380	EG
4520300PL	3	10-3/16	3-1/2	5-15/16	5/8	1-1/16	1380	PL
4520400EG	4	12-1/8	3-7/16	6-1/2	3/4	1-1/16	2230	EG
4520400PL	4	12-1/8	3-7/16	6-1/2	3/4	1-1/16	2230	PL
4520500EG	5	13-1/8	3-7/16	7	3/4	1-1/16	2230	EG
4520500PL	5	13-1/8	3-7/16	7	3/4	1-1/16	2230	PL
4520600EG	6	16-1/16	4-5/16	8-9/16	7/8	1-7/16	2555	EG
4520600PL	6	16-1/16	4-5/16	8-9/16	7/8	1-7/16	2555	PL
4520800EG	8	18-1/16	4-5/16	9-9/16	7/8	1-7/16	2555	EG
4520800PL	8	18-1/16	4-5/16	9-9/16	7/8	1-7/16	2555	PL
4521000EG	10	21-1/4	4-11/16	11-1/8	1	1-7/16	2890	EG
4521000PL	10	21-1/4	4-11/16	11-1/8	1	1-7/16	2890	PL
4521200EG	12	23-1/2	4-13/16	12-1/4	1	1-7/16	2890	EG
4521200PL	12	23-1/2	4-13/16	12-1/4	1	1-7/16	2890	PL
4521400EG	14	27	5-3/8	13-11/16	1-1/4	2	3835	EG
4521400PL	14	27	5-3/8	13-11/16	1-1/4	2	3835	PL
4521600EG	16	29-1/8	5-7/16	14-3/4	1-1/4	2	3835	EG
4521600PL	16	29-1/8	5-7/16	14-3/4	1-1/4	2	3835	PL
4521800EG	18	31-1/4	5-1/2	15-13/16	1-1/4	2	3835	EG
4521800PL	18	31-1/4	5-1/2	15-13/16	1-1/4	2	3835	PL
4522000EG	20	34-1/8	5-3/4	17-3/16	1-3/8	2	4015	EG
4522000PL	20	34-1/8	5-3/4	17-3/16	1-3/8	2	4015	PL
4522400EG	24	38-1/4	5-13/16	19-1/4	1-3/8	2	4900	EG
4522400PL	24	38-1/4	5-13/16	19-1/4	1-3/8	2	4900	PL

† Load ratings meet ANSI Code and are supported by physical testing.

\*\* H1 is maximum insulation thickness without interfering with intermediate "eye" attachment on load bolt.

Conforms With: Federal Specification WW-H-171 (Type 3), Manufacturers Standardization Society ANSI/MSS-SP-58 (Type 3); install in accordance with ANSI/MSS-SP-69.

All dimensions are in inches unless otherwise noted.

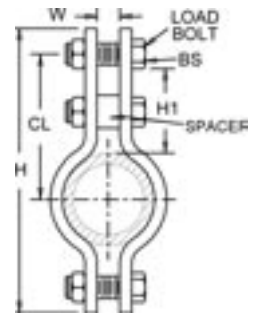
\*See page 2 for finish and material descriptions. All material is Carbon Steel unless otherwise noted.

# Pipe Clamps

## Model #453 Heavy Duty Double Bolt Pipe Clamp

**APPLICATION:** As an industrial, heavy load pipe clamp for hot service where up to 4" of insulation and flexibility at rod attachment is desired. Load bolt will extend past 4" insulation.

**NOTE:** #453 is normally used with Model #35 Weldless Eye Nut or #40 Eye Rod. Another line may be suspended from the bottom bolt of this hanger.



Part No.	Pipe Size	H	H1**	CL	BS	W	Max. Recom. Load (lbs)†	Finish*
4530600PL	6	16-1/16	4-5/16	8-9/16	7/8	1-7/16	3125	PL
4530800PL	8	18-1/16	4-5/16	9-9/16	7/8	1-7/16	4285	PL
4531000PL	10	21-1/4	4-11/16	11-1/8	1	1-7/16	4910	PL
4531200PL	12	23-1/2	4-13/16	12-1/4	1	1-7/16	6250	PL
4531400PL	14	27	5-3/8	13-11/16	1-1/4	2	8485	PL
4531600PL	16	29-1/8	5-7/16	14-3/4	1-1/4	2	8930	PL
4531800PL	18	31-1/4	5-1/2	15-13/16	1-1/4	2	12325	PL
4532000PL	20	34-1/8	5-3/4	17-3/16	1-3/8	2	13665	PL
4532400PL	24	38-1/4	5-13/16	19-1/4	1-3/8	2	14555	PL

\*\*H1 is maximum insulation thickness without interfering with intermediate "eye" attachment on load bolt.

† Load Ratings meet ANSI Code and are supported by physical testing.

Conforms With: Federal Specification WW-H-171 (Type 3), Manufacturers Standardization Society ANSI/MSS-SP-58 (Type 3); install in accordance with ANSI/MSS-SP-69

8



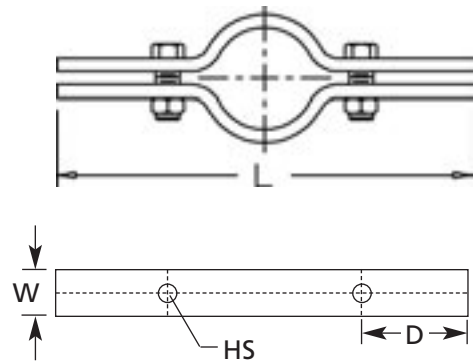
All dimensions are in inches unless otherwise noted.  
\*See page 2 for finish and material descriptions. All material is Carbon Steel unless otherwise noted.

# Pipe Clamps

## Model #510 Standard Riser Clamp

**APPLICATION:** For supporting vertical steel pipe risers, utilizing the structure to support the legs on each end of the clamp. Normally rests on the floor through which riser passes. Designed to hold utilizing clamping action alone with no more than 10' of water filled steel pipe. Use welded lugs on pipe above clamp for greater loads.

**NOTE:** Available in SS by special order.  
Available with an HD finish by special order.



Part No.	Pipe Size	L	W	D	HS	Max Recom. Load (lbs)	Finish*
5100050PL	1/2	9-3/8	.95	3-3/16	7/16	220	PL
5100050EG	1/2	9-3/8	.95	3-3/16	7/16	220	EG
5100050RO	1/2	9-3/8	.95	3-3/16	7/16	220	RO
5100075PL	3/4	9-1/4	.95	3-3/16	7/16	220	PL
5100075EG	3/4	9-1/4	.95	3-3/16	7/16	220	EG
5100075RO	3/4	9-1/4	.95	3-3/16	7/16	220	RO
5100100PL	1	9-7/8	.95	3-3/16	7/16	220	PL
5100100EG	1	9-7/8	.95	3-3/16	7/16	220	EG
5100100RO	1	9-7/8	.95	3-3/16	7/16	220	RO
5100125PL	1-1/4	9-3/4	.95	3-3/16	7/16	250	PL
5100125EG	1-1/4	9-3/4	.95	3-3/16	7/16	250	EG
5100125RO	1-1/4	9-3/4	.95	3-3/16	7/16	250	RO
5100150PL	1-1/2	9-5/8	.95	3-3/16	7/16	250	PL
5100150EG	1-1/2	9-5/8	.95	3-3/16	7/16	250	EG
5100150RO	1-1/2	9-5/8	.95	3-3/16	7/16	250	RO
5100200PL	2	10-7/8	.95	3-3/16	7/16	300	PL
5100200EG	2	10-7/8	.95	3-3/16	7/16	300	EG
5100200RO	2	10-7/8	.95	3-3/16	7/16	300	RO
5100250PL	2-1/2	10-3/4	.95	3-3/16	7/16	400	PL
5100250EG	2-1/2	10-3/4	.95	3-3/16	7/16	400	EG
5100250RO	2-1/2	10-3/4	.95	3-3/16	7/16	400	RO
5100300PL	3	11-3/4	.95	3-3/16	7/16	500	PL
5100300EG	3	11-3/4	.95	3-3/16	7/16	500	EG
5100300RO	3	11-3/4	.95	3-3/16	7/16	500	RO
5100350PL	3-1/2	13-3/16	.95	3-3/16	7/16	600	PL
5100350EG	3-1/2	13-3/16	.95	3-3/16	7/16	600	EG
5100350RO	3-1/2	13-3/16	.95	3-3/16	7/16	600	RO

(continued on page 68)

**Conforms With:** Federal Specification **WW-H-171** (Type 8), Manufacturers Standardization Society **ANSI/MSS-SP-58** (Type 8); install in accordance with **ANSI/MSS-SP-69**.

### Recommended Torque (pipe clamp hardware)

Bolt Size	1/4"-20	5/16"-18	3/8"-16	1/2"-13	5/8"-11	3/4"-10 & Larger
Foot/Lbs.	6	11	19	50	65	75
Nm	(8)	(15)	(26)	(68)	(88)	(101)

All dimensions are in inches unless otherwise noted.

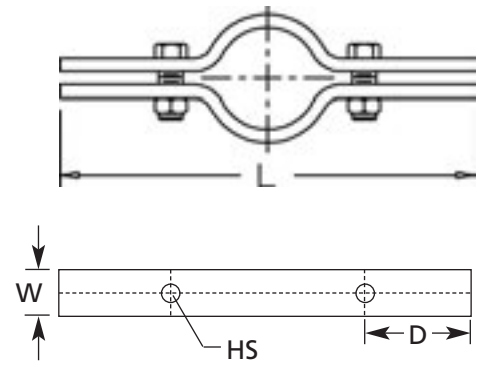
\*See page 2 for finish and material descriptions. All material is Carbon Steel unless otherwise noted.

# Pipe Clamps

## Model #510 (continued) Standard Riser Clamp

**APPLICATION:** For supporting vertical steel pipe risers, utilizing the structure to support the legs on each end of the clamp. Normally rests on the floor through which riser passes. Designed to hold utilizing clamping action alone with no more than 10' of water filled steel pipe. Use welded lugs on pipe above clamp for greater loads.

**NOTE:** Available in SS by special order.  
Available with an HD finish by special order.



8

Part No.	Pipe Size	L	W	D	HS	Max Recom. Load (lbs)	Finish*
5100400PL	4	12-15/16	31/32	3-3/16	7/16	750	PL
5100400EG	4	12-15/16	31/32	3-3/16	7/16	750	EG
5100400RO	4	12-15/16	31/32	3-3/16	7/16	750	RO
5100500PL	5	14-1/4	1-7/16	3-3/16	9/16	1500	PL
5100500EG	5	14-1/4	1-7/16	3-3/16	9/16	1500	EG
5100500RO	5	14-1/4	1-7/16	3-3/16	9/16	1500	RO
5100600PL	6	15-1/2	1-7/16	3-3/16	9/16	1600	PL
5100600EG	6	15-1/2	1-7/16	3-3/16	9/16	1600	EG
5100600RO	6	15-1/2	1-7/16	3-3/16	9/16	1600	RO
5100800PL	8	18-1/4	1-1/2	3-3/16	11/16	2500	PL
5100800EG	8	18-1/4	1-1/2	3-3/16	11/16	2500	EG
5100800RO	8	18-1/4	1-1/2	3-3/16	11/16	2500	RO
5101000PL	10	20-1/8	2	3-3/16	11/16	2500	PL
5101000EG	10	20-1/8	2	3-3/16	11/16	2500	EG
5101000RO	10	20-1/8	2	3-3/16	11/16	2500	RO
5101200PL	12	22-3/8	2	3-3/16	11/16	2700	PL
5101200EG	12	22-3/8	2	3-3/16	11/16	2700	EG
5101200RO	12	22-3/8	2	3-3/16	11/16	2700	RO
5101400PL	14	24-1/8	2	3-3/16	11/16	2700	PL
5101400EG	14	24-1/8	2	3-3/16	11/16	2700	EG
5101600PL	16	27-7/8	2-1/2	3-3/16	13/16	2900	PL
5101600EG	16	27-7/8	2-1/2	3-3/16	13/16	2900	EG
5101800PL	18	29-13/16	2-1/2	3-3/16	13/16	2900	PL
5101800EG	18	29-13/16	2-1/2	3-3/16	13/16	2900	EG
5102000PL	20	34-1/4	2-1/2	3-3/16	13/16	2900	PL
5102000EG	20	34-1/4	2-1/2	3-3/16	13/16	2900	EG
5102400PL	24	36-1/8	3	3-3/16	15/16	2900	PL
5102400EG	24	36-1/8	3	3-3/16	15/16	2900	EG

**Conforms With:** Federal Specification **WW-H-171** (Type 8), Manufacturers Standardization Society **ANSI/MSS-SP-58** (Type 8); install in accordance with **ANSI/MSS-SP-69**.

### Recommended Torque (pipe clamp hardware)

Bolt Size	1/4"-20	5/16"-18	3/8"-16	1/2"-13	5/8"-11	3/4"-10 & Larger
Foot/Lbs.	6	11	19	50	65	75
Nm	(8)	(15)	(26)	(68)	(88)	(101)



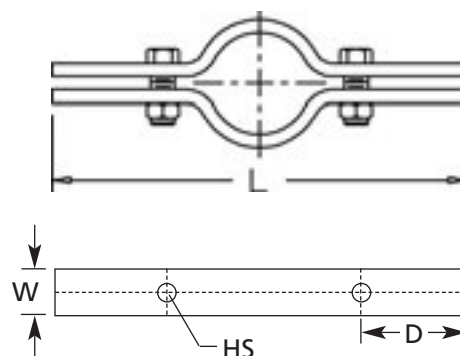
All dimensions are in inches unless otherwise noted.  
\*See page 2 for finish and material descriptions. All material is Carbon Steel unless otherwise noted.

# Pipe Clamps

## Model #511 Copper Tubing Riser Clamp

**APPLICATION:** For supporting K or L type copper tubing risers, utilizing the structure to support the legs on each end of the clamp. Normally rests on the floor through which riser passes. Can be used with both insulated and non-insulated pipes.

**NOTE:** This pipe support is not designed for corrosion or electrolysis resistance. Copper coating is for identification purposes only.



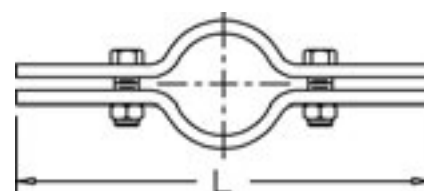
Part No.	Tube Size	L	W	D	HS	Max. Recom. Load (lbs)	Finish*
5110050CP	1/2	6-1/2	1-1/8	3-3/16	7/16	75	CP
5110075CP	3/4	7	1-1/8	3-3/16	7/16	75	CP
5110100CP	1	9-3/8	1-1/8	3-3/16	7/16	120	CP
5110125CP	1-1/4	9-5/8	1-1/8	3-3/16	7/16	150	CP
5110150CP	1-1/2	10	1-1/8	3-3/16	7/16	150	CP
5110200CP	2	10-1/4	1-1/8	3-3/16	7/16	150	CP
5110250CP	2-1/2	10-7/8	31/32	3-3/16	7/16	300	CP
5110300CP	3	11-7/8	31/32	3-3/16	7/16	300	CP
5110350CP	3-1/2	11-5/8	31/32	3-3/16	7/16	300	CP
5110400CP	4	13-1/8	31/32	3-3/16	7/16	300	CP
5110500CP	5	14-5/8	1-7/16	3-3/16	9/16	300	CP
5110600CP	6	14-1/4	1-7/16	3-3/16	9/16	300	CP

**Conforms With:** Federal Specification **WW-H-171** (Type 8), Manufacturers Standardization Society **ANSI/MSS-SP-58** (Type 8); install in accordance with **ANSI/MSS-SP-69**.

8

## Model #515 DWV Pipe Riser Clamp

**APPLICATION:** For supporting rigid plastic drain, waste or vent (DWV) risers only, utilizing the structure to support the legs on each end of the clamp. Normally rests on the floor through which riser passes. Do not use for steel pipe or pipe filled with water.



Part No.	Tube Size	L	Max. Recom. Load (lbs)	Finish*
5150150PL	1-1/2	10-9/16	125	PL
5150200PL	2	10-3/4	125	PL
5150300PL	3	11-1/2	125	PL
5150400PL	4	12-15/16	125	PL

**Conforms With:** Federal Specification **WW-H-171** (Type 8), Manufacturers Standardization Society **ANSI/MSS-SP-58** (Type 8); install in accordance with **ANSI/MSS-SP-69**.

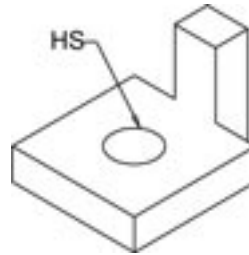
All dimensions are in inches unless otherwise noted.

\*See page 2 for finish and material descriptions. All material is Carbon Steel unless otherwise noted.

# Pipe Clamps

## Model #516 Socket Clamp Washer

**APPLICATION:** Use with Model #517 Socket Clamp.



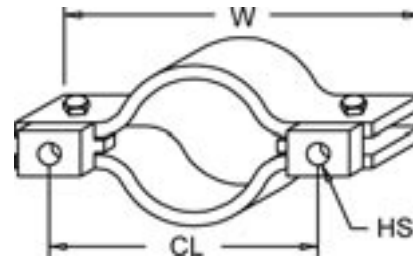
Part No.	HS	Finish*
5160075PL	3/4	PL
5160125PL	1-1/4	PL
5160137PL	1-3/8	PL
5160150PL	1-1/2	PL

## Model #517 Socket Clamp

8

**APPLICATION:** Used to prevent separation of caulked or rubber joints on AWWA cast iron water main pipe. Use one Model #517 clamp on each side of the joint to be restrained. Use threaded rod with hex nuts to connect the two clamps utilizing the Model #516 Washers.

**NOTE:** Order two Model #517 and four Model #516 for each joint, as well as Model #50 Rod and #10 Hex Nuts to tie the clamps together.



Part No.	Pipe Size	W	CL	HS	Finish*
5170300PL	3	11-3/8	8-15/16	3/4	PL
5170400PL	4	12-1/4	9-7/8	3/4	PL
5170600PL	6	14-5/16	11-7/8	3/4	PL
5170800PL	8	16-3/16	14-3/8	3/4	PL
5171000PL	10	18-11/16	16-1/4	3/4	PL
5171200PL	12	21-1/16	18-5/8	3/4	PL
5171400PL	14	27	23-7/8	1-1/4	PL
5171600PL	16	29-1/8	25-3/4	1-1/4	PL
5171800PL	18	32-1/4	28-1/4	1-1/4	PL
5172000PL	20	34-5/8	30-1/2	1-3/8	PL
5172400PL	24	39-9/16	35	1-1/2	PL

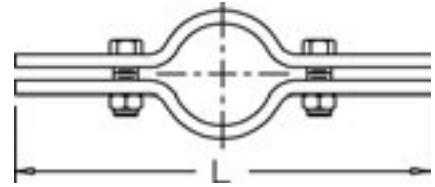


All dimensions are in inches unless otherwise noted.  
\*See page 2 for finish and material descriptions. All material is Carbon Steel unless otherwise noted.

# Pipe Clamps

## Model #520 PVC Coated Riser Clamp

**APPLICATION:** For supporting piping risers where pipe to metal contact is not desirable, utilizing the structure to support the legs on each end of the clamp. Normally rests on the floor through which it passes.



Part No.	Pipe Size	L	Max. Recom. Load (lbs)
5200050VC	1/2	9-3/8	220
5200075VC	3/4	9-1/4	220
5200100VC	1	9-7/8	220
5200125VC	1-1/4	9-3/4	250
5200150VC	1-1/2	9-5/8	250
5200200VC	2	10-7/8	300
5200250VC	2-1/2	10-3/4	400
5200300VC	3	11-3/4	500
5200400VC	4	12-15/16	750
5200500VC	5	14-1/4	1500
5200600VC	6	15-1/2	1600
5200800VC	8	18-1/4	2500

**Conforms With:** Federal Specification **WW-H-171** (Type 8), Manufacturers Standardization Society **ANSI/MSS-SP-58** (Type 8); install in accordance with **ANSI/MSS-SP-69**.

All dimensions are in inches unless otherwise noted.

\*See page 2 for finish and material descriptions. All material is Carbon Steel unless otherwise noted.