

# Structural Attachments

## Model #7 One-Hole Strap

**APPLICATION:** To support piping in horizontal position from side of structural member. Fastener hole may be above or below pipe.

**NOTE:** Follow fastener manufacturer's recommended shear and pull-out strength when fastening to the structure.



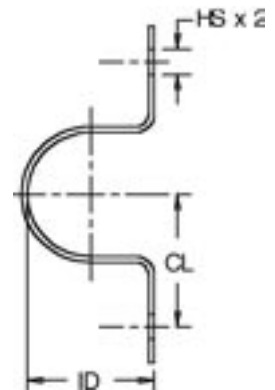
Part No.	Pipe Size	CL	ID	HS	Finish*
0070050EG	1/2	1-1/8	13/16	1/4	EG
0070075EG	3/4	1-1/4	1-1/16	1/4	EG
0070100EG	1	1-3/8	1-5/16	1/4	EG
0070125EG	1-1/4	1-9/16	1-11/16	1/4	EG
0070150EG	1-1/2	1-11/16	1-7/8	1/4	EG
0070200EG	2	1-15/16	2-3/8	1/4	EG

4

## Model #8 Two-Hole Strap

**APPLICATION:** Light duty support of pipe or copper tubing. Attaches directly to horizontal or vertical structural member.

**NOTE:** Follow fastener manufacturer's recommended shear and pull-out strength when fastening to the structure.



Part No.	Pipe Size	CL	ID	HS	Finish*
0080025CP	1/4	7/16	3/8	3/16	CP
0080025EG	1/4	9/16	1/2	3/16	EG
0080037CP	3/8	11/16	1/2	3/16	CP
0080037EG	3/8	11/16	5/8	3/16	EG
0080050CP	1/2	3/4	5/8	3/16	CP
0080050EG	1/2	11/16	13/16	3/16	EG
0080075CP	3/4	15/16	7/8	3/16	CP
0080075EG	3/4	1	1	1/4	EG
0080100CP	1	1	1-1/8	3/16	CP
0080100EG	1	1-1/16	1-1/4	1/4	EG
0080125CP	1-1/4	1-1/16	1-3/8	3/16	CP
0080125EG	1-1/4	1-3/8	1-5/8	1/4	EG
0080150CP	1-1/2	1-11/16	1-5/8	3/16	CP
0080150EG	1-1/2	1-11/16	1-13/16	1/4	EG
0080200CP	2	1-15/16	2-1/8	3/16	CP
0080200EG	2	1-15/16	2-5/16	1/4	EG
0080250EG	2-1/2	2-3/16	2-13/16	1/4	EG
0080300EG	3	2-1/2	3-7/16	1/4	EG
0080400EG	4	3	4-7/16	1/4	EG

**Conforms With:** Federal Specification **WW-H-171** (Type 26), Manufacturers Standardization Society **MSS-SP-58** (Type 26), install in accordance with **MSS-SP-69**.

All dimensions are in inches unless otherwise noted.

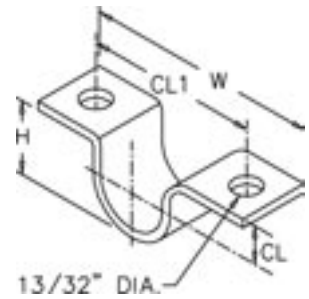
\*See page 2 for finish and material descriptions. All material is Carbon Steel unless otherwise noted.

# Structural Attachments

## Model #470 Short Clip

**APPLICATION:** Support pipe close to ceiling or wall.

**NOTE:** Follow fastener manufacturer's recommended shear and pull-out strength when fastening to the structure.



4

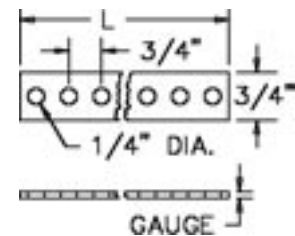
Part No.	Pipe Size	H	CL	CL1	W	Max. Recom. Load (lbs)	Finish*
4700050PL	1/2	1-3/16	9/16	2-5/8	3-5/8	300	PL
4700075PL	3/4	1-3/8	11/16	2-7/8	3-7/8	300	PL
4700100PL	1	1-5/8	13/16	3-1/8	4-1/8	300	PL
4700125PL	1-1/4	2-1/8	1-1/8	3-7/16	4-7/16	300	PL
4700150PL	1-1/2	2-1/2	1-3/8	3-1/2	4-1/2	300	PL
4700200PL	2	2-7/8	1-1/2	4	5	300	PL
4700250PL	2-1/2	3-5/8	1-15/16	4-1/2	5-1/2	500	PL
4700300PL	3	4	2-1/8	5-1/8	6-1/8	500	PL
4700400PL	4	5-1/8	2-5/8	6-1/8	7-1/8	500	PL

**Conforms With:** Federal Specification **WW-H-171** (Type 26), Manufacturers Standardization Society **ANSI/MSS-SP-58**; (Type 26) install in accordance with **ANSI/MSS-SP-69**.

## Model #9 Perforated Hanger Strapping

**APPLICATION:** Light duty, residential pipe support.

**NOTE:** Follow fastener manufacturer's recommended shear and pull-out strength when fastening to the structure.

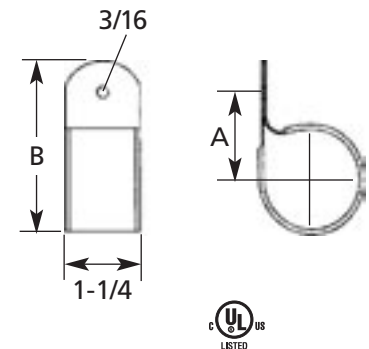


Part No.	Strap Ga. Size	L	Max. Recom. Load (lbs.)	Finish*
0097524EG	24	10' - 0"	10	EG

## Model #107 One-Hole Wrap Around Strap for CPVC Pipe

**APPLICATION:** Support horizontal position from Top or Side of beam.

Part No.	Pipe Size	A	B	Max. Hanger Spacing	Finish*
1070075EG	3/4	1	2-7/16	5-1/2'	EG
1070100EG	1	1-7/16	2-11/16	6'	EG
1070125EG	1-1/4	1-5/8	3-1/16	6-1/2'	EG
1070150EG	1-1/2	1-3/4	3-5/16	7'	EG
1070200EG	2	1-11/16	3-3/4	8'	EG

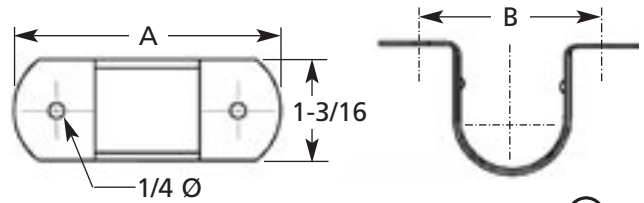


\*See page 2 for finish and material descriptions. All dimensions are in inches unless otherwise noted. All material is Carbon Steel unless otherwise noted.

# Structural Attachments

## Model #108 Two-Hole Strap for CPVC Pipe

**APPLICATION:** Support horizontal piping from Top, Bottom, or Side of beam. Retainer dimples secure hanger to pipe during installation.

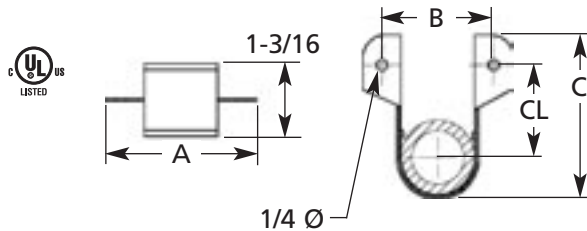


Part No.	Pipe Size	A	B	Max. Hanger Spacing	Finish*
1080075EG	3/4	3-1/8	2-1/8	5-1/2'	EG
1080100EG	1	3-5/16	2-1/4	6'	EG
1080125EG	1-1/4	4-1/8	3-1/8	6-1/2'	EG
1080150EG	1-1/2	4-5/16	3-3/8	7'	EG
1080200EG	2	4-7/8	3-15/16	8'	EG

4

## Model #109 Side Mount Strap for CPVC Pipe

**APPLICATION:** Support horizontal piping from Top or Bottom of beam. Retainer dimples secure hanger to pipe during installation.



Part No.	Pipe Size	A	B	C	CL	Max. Hanger Spacing	Finish*
1090075EG	3/4	2-5/16	1-11/16	2-7/16	1-7/8	5-1/2'	EG
1090100EG	1	2-5/8	2	2-11/16	2	6'	EG
1090125EG	1-1/4	3	2-3/8	3-1/16	2-1/8	6-1/2'	EG
1090150EG	1-1/2	3-1/4	2-5/8	3-5/16	2-1/4	7'	EG
1090200EG	2	3-11/16	3-1/16	3-13/16	2-1/2	8'	EG

## Model #50 Stand-Off 2-Hole Strap for CPVC pipe

**APPLICATION:** For mounting CPVC pipe to structural wood or composite wood joists with a minimum 3/8" web thickness.



Part No.	Pipe Size	Finish*
SO12A	3/4	Pre-Galvanized
SO16A	1	Pre-Galvanized
SO20A	1-1/4	Pre-Galvanized
SO24A	1-1/2	Pre-Galvanized
SO32A	2	Pre-Galvanized



**APPLICATIONS FOR MODELS #107, #108, #109, #50:** To support CPVC or Polybutalene fire sprinkler piping in Fire Sprinkler Systems installed per NFPA 13, 13R, and 13D. Fasten with Hardened Hex Head Screw(s), #10 x 1", supplied. Offset edge for abrasion prevention and added strength.

**NOTES FOR MODEL #107:** Install with hanger tabs upward only. If installed inverted, with the hanger tab downward it does not function as a hanger, but as a restrainer. Do not install on the bottom of a beam or under horizontal surface. For these applications, see Model #108.

All dimensions are in inches unless otherwise noted.

\*See page 2 for finish and material descriptions. All material is Carbon Steel unless otherwise noted.

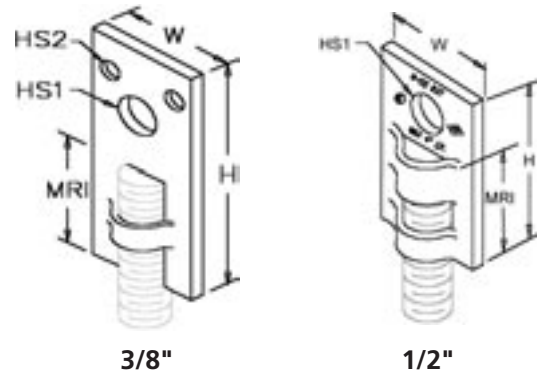
# Structural Attachments

## Model #37 Eye Socket

**APPLICATION:** A structural attachment used to join hanger rod to a structure. Also used as an intermediate attachment to attach pipe hanger rod to beam clamps such as Models: #320, #360, #361, etc.

**NOTE:**

1. Fastener sizes for 3/8" RS
  - a. Thru 2" pipe, **two Model #43 Wood Drive Screws**
  - b. Thru 4" pipe, **one Model #42, 1/2" x 3" Lag Screw**
2. Fastener size for 1/2" RS: thru 8" pipe, **one Model #42 5/8" x 3" Lag Screw**



Part No.	RS	H	HS1	HS2	MRI	W	Max. Pipe Size	Max. Recom. Load (lbs.)†	Finish*
0370037EG	3/8	2-1/4	1/2	1/4	1-3/16	1-1/8	4	250	EG
0370050EG	1/2	2-3/4	11/16	None	1-3/16	1-1/2	8	760	EG

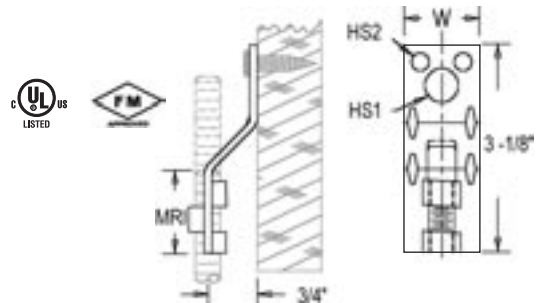
†Load rating dependent on wood structure strength.

## Model #38 Offset Eye Socket

**APPLICATION:** A structural attachment used to join hanger rod to a structure. Provides unlimited vertical rod adjustment.

**NOTE:** Fastener size

1. Thru 2" pipe, **two Model #43 Wood Drive Screws.**
2. Thru 4" pipe, **one Model #42, 1/2" x 3" Lag Screw.**



Part No.	RS	H	HS1	HS2	MRI	W	Max. Pipe Size	Max. Recom. Load (lbs.)†	Finish*
0380037EG	3/8	3-1/8	1/2	1/4	1-3/16	1-1/8	4	250	EG

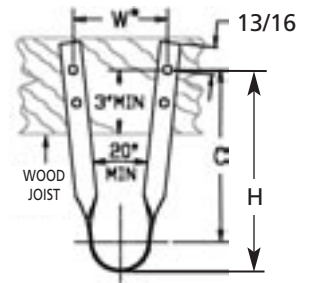
†Load rating dependent on wood structure strength.



All dimensions are in inches unless otherwise noted.  
\*See page 2 for finish and material descriptions. All material is Carbon Steel unless otherwise noted.

# Structural Attachments

## Model #135 Yook U-Type Hanger



**APPLICATION:** Use in place of a U-Hook. Less expensive and easier to install.  
Use Model #43, size #16 x 2 Wood Drive Screws.

**NOTE:** 1. For 1" thru 2" pipe sizes, use one drive screw per leg.  
2. For 2-1/2" thru 4" pipe sizes use two drive screws per leg.

Part No.	Pipe Size	W	H	C	Wt. (lbs) 15' Water Filled Pipe	Max. Recom. Load (lbs)	Finish*
1351204EG	1 & 1-1/4	2-13/16	4	3-1/8	44	250	EG
1351206EG			6	5-1/4			EG
1351208EG			8	7-1/4			EG
1351210EG			10	9-1/4			EG
1351212EG			12	11-1/4			EG
1351214EG			14	13-1/4			EG
1351216EG			16	15-1/4			EG
1351218EG			18	17-1/4			EG
1351220EG			20	19-1/4			EG
1351224EG			24	23-1/4			EG
1351230EG			30	29-1/4			EG
1351236EG			36	35-1/4			EG
1352004EG			1-1/2 & 2	3-1/2			4
1352006EG	6	4-7/8			EG		
1352008EG	8	6-7/8			EG		
1352010EG	10	8-7/8			EG		
1352012EG	12	10-7/8			EG		
1352014EG	14	12-7/8			EG		
1352016EG	16	14-7/8			EG		
1352018EG	18	16-7/8			EG		
1352020EG	20	18-7/8			EG		
1352024EG	24	22-7/8			EG		
1352030EG	30	28-7/8			EG		
1352036EG	36	34-7/8	EG				
1353008EG	2-1/2 & 3	4-13/16	8	6-3/8	162	320	EG
1353010EG			10	8-3/8			EG
1353012EG			12	10-3/8			EG
1353014EG			14	12-3/8			EG
1353016EG			16	14-3/8			EG
1353018EG			18	16-3/8			EG
1353020EG			20	18-3/8			EG
1353024EG			24	22-3/8			EG
1353030EG			30	28-3/8			EG
1353036EG			36	34-3/8			EG
1354008EG	3-1/2 & 4	5-15/16	8	5-7/8	245	560	EG
1354010EG			10	7-7/8			EG
1354012EG			12	9-7/8			EG
1354014EG			14	11-7/8			EG
1354016EG			16	13-7/8			EG
1354018EG			18	15-7/8			EG
1354020EG			20	17-7/8			EG
1354024EG			24	21-7/8			EG
1354030EG			30	27-7/8			EG
1354036EG			36	33-7/8			EG

4

All dimensions are in inches unless otherwise noted.

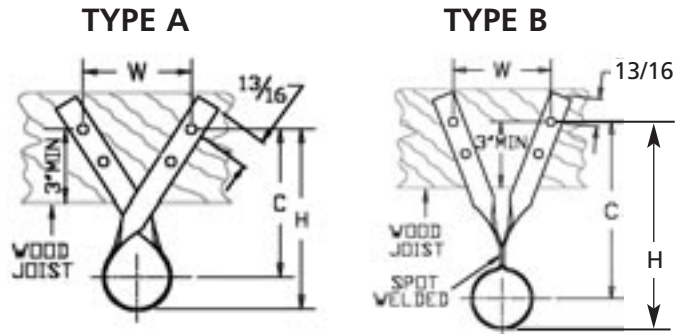
\*See page 2 for finish and material descriptions. All material is Carbon Steel unless otherwise noted.

# Structural Attachments

## Model #137 Yook Wrap-A-Round U-Type Hanger

**APPLICATION:** Pipe support used in place of a wrap-a-round U-Hook at the ends of sprinkler branch lines to prevent heads from jumping and hitting the ceiling or beam. Less expensive and easier to install than U-Hooks.

Use Model #43, size #16 x 2" Wood Drive Screws.



4

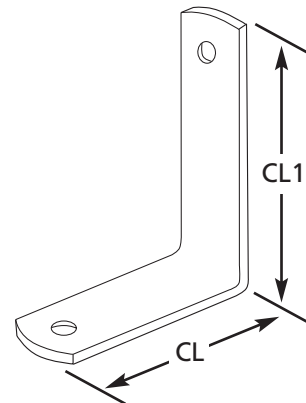
**NOTE:** For 1" thru 2" pipe sizes, use one drive screw per leg.

Part No.	Pipe Size	W	H	Type	C	Wt. (lbs) 15' Water Filled Pipe	Max. Recom. Load (lbs)	Finish*
1371206EG	1 & 1-1/4	2-3/16	6	A	5-1/4	44	250	EG
1371210EG			10	B	9-1/4			EG
1371212EG			12	B	11-1/4			EG
1372006EG	1-1/2 & 2	3-1/2	6	A	4-3/4	77	250	EG
1372010EG			10	B	8-3/4			EG
1372012EG			12	B	10-3/4			EG

## Model #319 Return Line Angle Bracket

**APPLICATION:** As a structural wall attachment to support hanger rod designed to keep the centerline of the pipe either 2", 3", or 4" away from the wall.

**NOTE:** Follow fastener manufacturer's recommended shear and pull-out strength when fastening to the structure.



Part No.	CL	CL1	Max. Recom. Load (lbs.)	Finish*
3190100PL	2	3	180	PL
3190200PL	3	4	180	PL
3190300PL	2	3	390	PL
3190400PL	3	4	390	PL



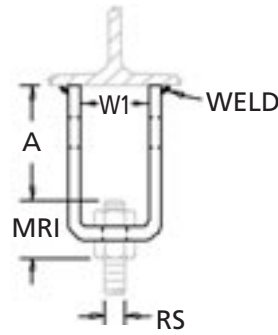
All dimensions are in inches unless otherwise noted.  
\*See page 2 for finish and material descriptions. All material is Carbon Steel unless otherwise noted.

# Structural Attachments

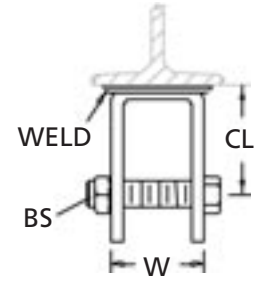
## Model #320L & 320W Welded Beam Attachment

**APPLICATION:** Hanger rod attachment to be welded to the bottom of a beam where large rod sizes and substantial loads exist. Install in position "B" when a rod attachment is desired, such as Model #40 Eyerod, or #35 Welded Eye Nut. Use position "A" if rigid hanger rod and vertical adjustment are necessary.

**NOTE:** Based on the allowable stresses shown in ANSI Code for Pressure Piping.



Position A



Position B

4

### Position A

Part No.	Rod Size	MRI	A	W1	Max. Recom. Load (lbs)	Finish*
320L0037PL	3/8	3/4	2-1/8	1-1/4	610	PL
320L0050PL	1/2	7/8	2	1-1/4	1130	PL
320L0062PL	5/8	1	2	1-1/4	1810	PL
320L0075PL	3/4	1-1/4	1-7/8	1-1/2	2710	PL
320L0087PL	7/8	1-3/8	2-7/8	2	3770	PL
320L0100PL	1	1-5/8	2-7/8	2	4960	PL
320L0112PL	1-1/8	1-3/4	3	2-1/4	6480	PL
320L0125PL	1-1/4 **	2	3	2-1/2	8000	PL
320L0150PL	1-1/2**	2-7/16	4-1/16	3	11630	PL
320L0175PL	1-3/4**	2-5/16	4-13/16	3-3/4	15700	PL
320L0200PL	2 **	3-1/4	5	3-3/4	20700	PL
320L0225PL	2-1/4**	3-1/2	6	4-1/4	N/A	PL
320L0250PL	2-1/2**	3-3/4	6	4-1/2	N/A	PL

\*\* 1-1/4" and larger are weldments.

**Conforms With:** Federal Specification WW-H-171(Type 22), Manufacturers Standardization Society ANSI/MSS-SP-58 (Type 22); install in accordance with ANSI/MSS-SP-69

### Position B

Part No.	Rod Size	CL	BS	W	Max. Recom. Load (lbs)	Finish*
320W0037PL	3/8	2	1/2x2-1/2	1-3/4	610	PL
320W0050PL	1/2	2	5/8x2-1/2	1-3/4	1130	PL
320W0062PL	5/8	2	3/4x2-3/4	1-3/4	1810	PL
320W0075PL	3/4	2	7/8x3	2-1/4	2710	PL
320W0087PL	7/8	3	1x4	2-3/4	3770	PL
320W0100PL	1	3	1-1/8x4-1/2	3	4960	PL
320W0111PL	1-1/8	3	1-1/4x5-1/2	3-1/4	6480	PL
320W0125PL	1-1/4**	3	1-3/8x5-3/4	3-3/4	8000	PL
320W0150PL	1-1/2**	4	1-5/8x5	4-1/2	11630	PL
320W0175PL	1-3/4 **	5	1-7/8x7	5-1/4	15700	PL
320W0200PL	2 **	5	2-1/4x7	5-1/4	20700	PL
320W0225PL	2-1/4**	6	2-1/2x7-5/8	4-1/4	N/A	PL
320W0250PL	2-1/2**	6	2-3/4x7-5/8	6	N/A	PL

\*\* 1-1/4" and larger are weldments.

**Conforms With:** Federal Specification WW-H-171(Type 22), Manufacturers Standardization Society ANSI/MSS-SP-58 (Type 22); install in accordance with ANSI/MSS-SP-69

All dimensions are in inches unless otherwise noted.

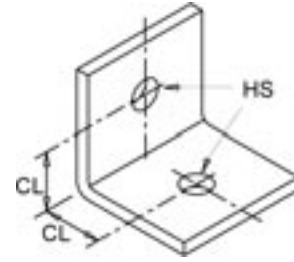
\*See page 2 for finish and material descriptions. All material is Carbon Steel unless otherwise noted.

# Structural Attachments

## Model #325 Side Beam Attachment

**APPLICATION:** Structural attachment fastened to the wall or the side of a joist to support hanger rod.

**NOTE:** Follow fastener manufacturer's recommended shear and pull-out strength when fastening to the structure.



4

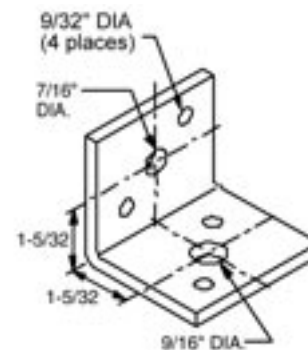
Part No.	RS	CL	HS	Max. Recom. Load (lbs)		Finish*
				With Lag Screw	With Bolt to Steel	
3250037EG	3/8	1-1/8	7/16	650	1150	EG
3250037PL	3/8	1-1/8	7/16	650	1150	PL
3250050EG	1/2	1-1/8	9/16	650	1150	EG
3250050PL	1/2	1-1/8	9/16	650	1150	PL
3250062EG	5/8	1-3/8	11/16	850	2000	EG
3250062PL	5/8	1-3/8	11/16	850	2000	PL
3250075EG	3/4	1-3/4	13/16	900	3500	EG
3250075PL	3/4	1-3/4	13/16	900	3500	PL
3250087EG	7/8	2-1/2	15/16	900	3600	EG
3250087PL	7/8	2-1/2	15/16	900	3600	PL
3250100EG	1	2-1/2	1-1/16	900	3700	EG
3250100PL	1	2-1/2	1-1/16	900	3700	PL

**Conforms With:** Federal Specification **WW-H-171** (Type 35), Manufacturers Standardization Society **ANSI/MSS-SP-58** (Type 34); install in accordance with **ANSI/MSS-SP-69**.

## Model #326 Universal Side Beam Attachment

**APPLICATION:** Structural attachment fastened to the wall or the side of a joist to support hanger rod. Either 3/8" or 1/2" fasteners can be used therefore reducing inventories.

**NOTE:** Follow fastener manufacturer's recommended shear and pull-out strength when fastening to the structure.



Part No.	RS	CL	HS	Max. Recom. Load (lbs)		Finish*
				With Lag Screw	With Bolt to Steel	
3260037EG	3/8	1-1/8	7/16	560	620	EG
3260037PL	3/8	1-1/8	7/16	560	620	PL

**Conforms With:** Federal Specification **WW-H-171** (Type 35), Manufacturers Standardization Society **ANSI/MSS-SP-58** (Type 34); install in accordance with **ANSI/MSS-SP-69**.



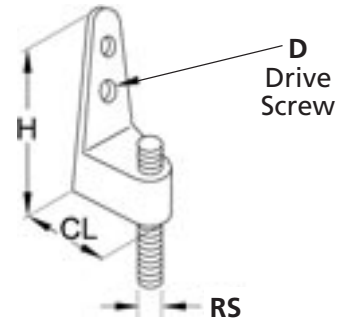
All dimensions are in inches unless otherwise noted.  
\*See page 2 for finish and material descriptions. All material is Carbon Steel unless otherwise noted.

# Structural Attachments

## Model #327 Malleable Iron Side Beam Connector

**APPLICATION:** Pre-threaded structural attachment fastened to wall or the side of a joist to support hanger rod. Two #43 Wood Drive Screws are necessary for proper support.

**NOTE:** Follow fastener manufacturer's recommended shear and pull-out strength when fastening to the structure.



Part No.	RS	H	CL	D	Max. Recom. Load (lbs)**	Material*	Finish*
3270037EG	3/8	2-3/8	9/16	#14	250	Malleable Iron	EG
3270037PL	3/8	2-3/8	9/16	#14	250	Malleable Iron	PL
3270050EG	1/2	2-3/4	3/4	#16	480	Malleable Iron	EG
3270050PL	1/2	2-3/4	3/4	#16	480	Malleable Iron	PL

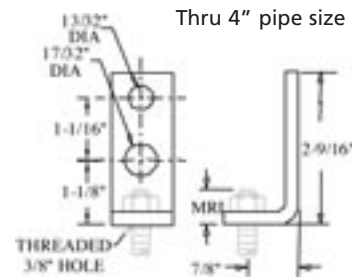
\*\*Load Rating dependent on wood structure strength.

4

## Model #328 Tapped Steel Side Beam Connector

**APPLICATION:** Pre-threaded structural attachment fastened to the wall or the side of a joist to support hanger rod.

**NOTE:** Follow fastener manufacturer's recommended shear and pull-out strength when fastening to the structure.



Part No.	RS	Max. Recom. Load (lbs.)		Finish*
		With Lag Screw	With Bolt to Steel	
3280037EG	3/8	560	620	EG
3280037PL	3/8	560	620	PL
3280050PL	1/2	560	620	PL

**Conforms With:** Federal Specification **WW-H-171** (Type 35), Manufacturers Standardization Society **ANSI/MSS-SP-58** (Type 34), install in accordance with **ANSI/MSS-SP-69**.

All dimensions are in inches unless otherwise noted.

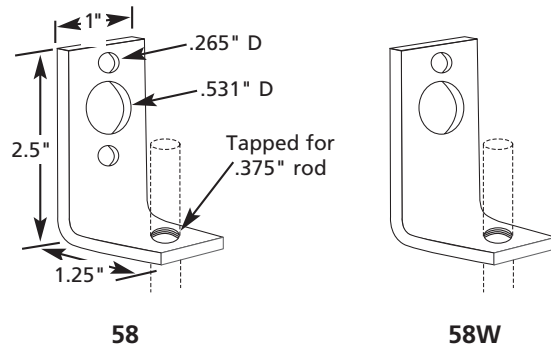
\*See page 2 for finish and material descriptions. All material is Carbon Steel unless otherwise noted.

# Structural Attachments

## Model #58 Tapped Steel Side Beam Connector

**APPLICATION:** To support hangers from wood or side beams

**NOTE:** Follow fastener manufacturer's recommended shear and pull-out strength when fastening to the structure.

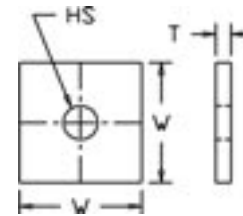


4

Part No.	RS	Max. Recom. Load (lbs.)		Finish*
		With Lag Screw	With Bolt to Steel	
0580037PL	3/8	560	620	PL
058W0037PL	3/8	560	620	PL

## Model #340 Square Steel Plate

**APPLICATION:** Square steel washer plate used on top of channel or angle for hanger rod or U-bolt attachment.



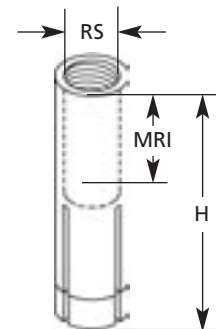
Part No.	RS	HS	T	W	Finish*
340A2503PL	3/8	7/16	1/4	3	PL
340B2503PL	1/2	9/16	1/4	3	PL
340C3703PL	5/8	11/16	3/8	3	PL
340D3704PL	3/4	13/16	3/8	4	PL
340E5004PL	7/8	15/16	1/2	4	PL

## Model #345R Concrete Drop In Anchor

**APPLICATION:** This special anchor design offers fast and easy installation and provides maximum holding power. It can be installed flush with masonry surface or subset. Use #345T to set.

**NOTE:** Furnished with a pre-assembled internal expander plug.

One free setting tool #345T is furnished with purchase of 100 pcs. of #345R Anchors.



Part No.	RS	H	MRI	Concrete Drill Size	Tension Loads (lbs)	Shear Loads (lbs)	Material*	Finish*
345R0037EG	3/8	1-9/16	5/8	1/2	6400	4220	Steel	EG
345R0050EG	1/2	2	13/16	5/8	9000	6640	Steel	EG
345R0062EG	5/8	2-1/2	1-3/16	7/8	15218	10380	Steel	EG



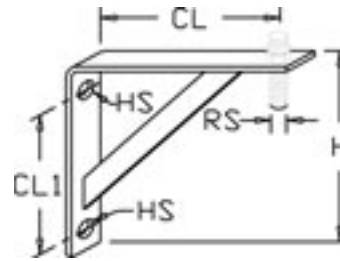
All dimensions are in inches unless otherwise noted.  
\*See page 2 for finish and material descriptions. All material is Carbon Steel unless otherwise noted.

# Structural Attachments

## Model #348 Light Welded Bracket

**APPLICATION:** As a wall attachment to suspend 2" or smaller static piping.

**NOTE:** Follow fastener manufacturer's recommended shear and pull-out strength when fastening to the structure.



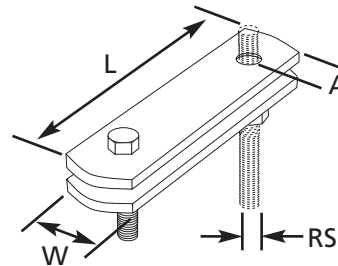
Part No.	Size	H	CL	CL1	Max. RS	HS	Max. Recom. Load (lbs.)	Finish*
3480100PL	1	9	9	6-1/2	1/2	13/16	610	PL
3480200PL	2	13	13	10-1/2	1/2	13/16	610	PL
3480300PL	3	19	19	16-1/2	1/2	13/16	610	PL

4

## Model #350 Rod Clip

**APPLICATION:** Allows hanger rod to be adjusted further from or closer to the structural member.

**NOTE:** If using bracket with clip, slip clip over upper arm of bracket and run a rod through the two plates. Determine clip size by pipe size.



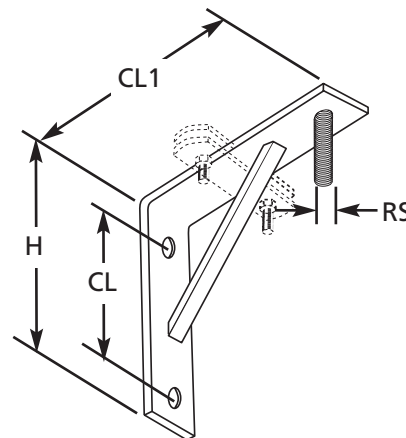
Part No.	RS	Pipe Size	L	W	A	Finish*
3500037PL	3/8	3/4 to 2	3-13/16	1-3/16	21/32	PL
3500050PL	1/2	2-1/2 to 3-1/2	4-1/16	1-7/16	23/32	PL

## Model #351 Light Welded Wall Bracket

**APPLICATION:** Designed to suspend hanger rod for support of light loads under 750 lbs. Normally used in conjunction with Model #350 rod clip.

**NOTE:** Determine bracket size by dimension of standard bracket most suitable to the installation.

**NOTE:** Follow fastener manufacturer's recommended shear and pull-out strength when fastening to the structure.



Part No.	H	CL	CL1	Max. RS	Max. Pipe Size	Max. Recom. Load (lbs.)	Finish*
3510100PL	9	6-1/2	8	1/2	3-1/2	600	PL
3510200PL	13	10-1/2	12	1/2	3-1/2	600	PL
3510300PL	19	16-1/2	18	1/2	3-1/2	600	PL

All dimensions are in inches unless otherwise noted.

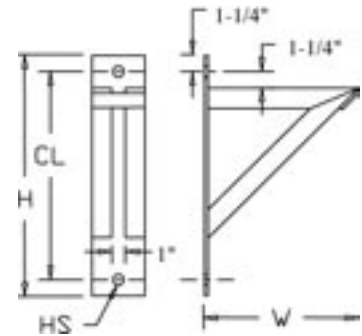
\*See page 2 for finish and material descriptions. All material is Carbon Steel unless otherwise noted.

# Structural Attachments

## Model #352 Medium Duty Wall Bracket

**APPLICATION:** As a wall attachment to support or suspend static piping.

**NOTE:** Recommended to support loads no greater than 1500 lbs. Follow fastener manufacturer's recommended shear and pull-out strength when fastening to the structure.



4

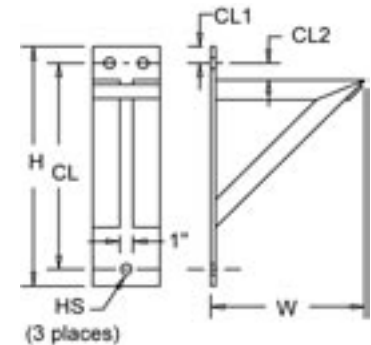
Part No.	Size	H	CL	W	HS	Max. Recom. Load (lbs)	Finish*
3520100PL	1	9	6-1/2	11-1/2	13/16	1500	PL
3520200PL	2	13	10-1/2	17-1/2	13/16	1500	PL
3520300PL	3	19	16-1/2	23-3/8	13/16	1500	PL

**Conforms With:** Federal Specification **WW-H-171** (Type 33), Manufacturers Standardization Society **ANSI/MSS-SP-58** (Type 32); install in accordance with **ANSI/MSS-SP-69**.

## Model #353 Heavy Duty Wall Bracket

**APPLICATION:** As a wall attachment to support or suspend static piping.

**NOTE:** Recommended to support loads no greater than 3000 lbs. Follow fastener manufacturer's recommended shear and pull-out strength when fastening to the structure.



Part No.	Size	H	CL1	CL2	CL	W	HS	Max. Recom. Load (lbs)	Finish*
3530100PL	1	18	1-1/2	1-1/4	15-1/4	11-1/4	13/16	3000	PL
3530200PL	2	24	1-3/8	1-3/8	21-3/8	17-1/4	15/16	3000	PL
3530300PL	3	30	1-1/4	1-1/2	27-1/2	23-3/8	1-1/16	3000	PL
3530400PL	4	36	1-1/2	1-1/2	29-1/8	29-1/8	1-1/16	3000	PL
3533500PL	5	42	1-1/2	1-1/2	34-7/8	34-7/8	1-1/16	3000	PL
3530600PL	6	50	2	1-1/2	40-7/8	40-7/8	1-1/16	3000	PL

**Conforms With:** Federal Specification **WW-H-171** (Type 34), Manufacturers Standardization Society **ANSI/ MSS-SP-58** (Type 33), install in accordance with **ANSI/MSS-SP-69**.



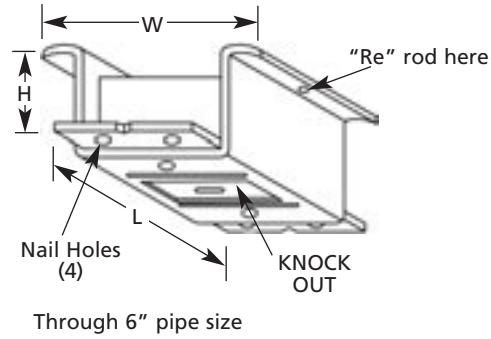
All dimensions are in inches unless otherwise noted.  
\*See page 2 for finish and material descriptions. All material is Carbon Steel unless otherwise noted.

# Structural Attachments

## Model #355 Steel Concrete Insert

**APPLICATION:** As a structural attachment in all grades of concrete. Knockout keeps interior empty during pour. Allows for horizontal rod adjustment up to 1-1/4".

**NOTE:** Installation: Place knockout side down on concrete form and nail in place. Wire 12" piece of #4 reinforcing rod on both sides. After concrete pour, knockout can be removed with a screw driver. Use with Model #355N Insert Nut (for UL Listing), or Models: #Nut, #SPRA, #SPRC strut nuts. Rod should be threaded through the nut until it tightens against the top of the insert.



4

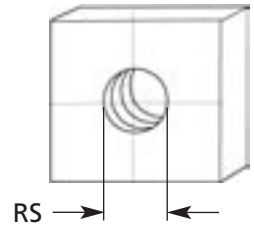
Part No.	Max. RS	H	W	L	Max. Pipe Size	Max. Recom. Load Size	Finish*
3550000EG	7/8	1-5/8	3	3	10	1200	EG
3550000PL	7/8	1-5/8	3	3	10	1200	PL

**Conforms With:** Federal Specification **WW-H-171** (Type 19), Manufacturers Standardization Society **ANSI/MSS-SP-58** (Type 18); install in accordance with **ANSI/ MSS-SP-69**.

## Model #355N Steel Concrete Insert Nut

**APPLICATION:** Hanger rod attachment to be installed inside of the Model #355 Concrete Insert.

**NOTE:** Installation: See Model #355



Part No.	RS	Max. Pipe Size	Max. Recom. Load (lbs)	Finish*
355N0025EG	1/4	N/A	240	EG
355N0025PL	1/4	N/A	240	PL
355N0037EG	3/8	4	610	EG
355N0037PL	3/8	4	610	PL
355N0050EG	1/2	8	1130	EG
355N0050PL	1/2	8	1130	PL
355N0062EG	5/8	8	1200	EG
355N0062PL	5/8	8	1200	PL
355N0075EG	3/4	8	1200	EG
355N0075PL	3/4	8	1200	PL
355N0087EG	7/8	10 **	1200	EG
355N0087PL	7/8	10 **	1200	PL

\*\* Reduced support spacing is required.

**Conforms With:** Federal Specification **WW-H-171** (Type 19), Manufacturers Standardization Society **ANSI/MSS-SP-58** (Type 1) install in accordance with **ANSI/MSS-SP-69**.

All dimensions are in inches unless otherwise noted.

\*See page 2 for finish and material descriptions. All material is Carbon Steel unless otherwise noted.

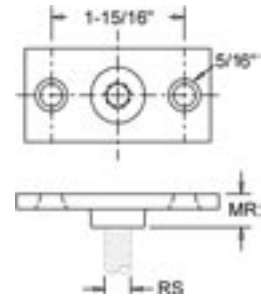
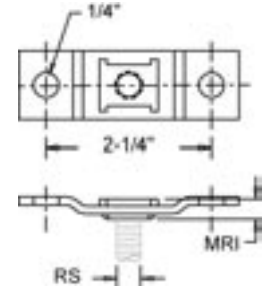
# Structural Attachments

## Model #365 Steel Wall Plate

**APPLICATION:** Structural attachment to support hanger rod from ceiling or wall.

**NOTE:** Follow fastener manufacturer's recommended shear and pull-out strength when fastening to the structure.

Part No.	Rod Size	MRI	Max Pipe Size	Max. Recom. Load (lbs)	Finish*
3650037CP	3/8	5/16	2	100	CP
3650037EG	3/8	5/16	2	100	EG
3650037PL	3/8	5/16	2	100	PL



## Model #365M Malleable Wall Plate

**APPLICATION:** Structural attachment to support hanger rod from ceiling or wall.

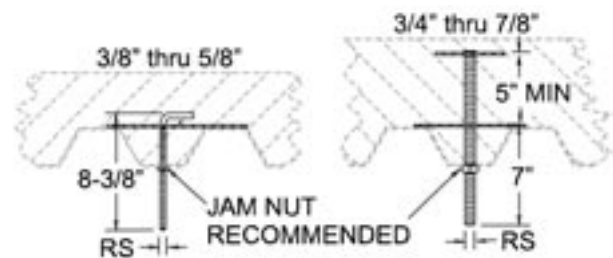
**NOTE:** Follow fastener manufacturer's recommended shear and pull-out strength when fastening to the structure.

Part No.	RS	MRI	Max Pipe Size	Max. Recom. Load (lbs)	Material*	Finish*
365M0037CP	3/8	15/32	2	180	Malleable Iron	CP
365M0037EG	3/8	15/32	2	180	Malleable Iron	EG
365M0037PL	3/8	15/32	2	180	Malleable Iron	PL
365M0050CP	1/2	15/32	3-1/2	180	Malleable Iron	CP
365M0050EG	1/2	15/32	3-1/2	180	Malleable Iron	EG
365M0050PL	1/2	15/32	3-1/2	180	Malleable Iron	PL

## Model #370A Metal Concrete Deck Insert

**APPLICATION:** Structural attachment to support hanger rod from metal deck-poured concrete ceiling where adjustment for concrete thickness is needed.

**NOTE:** Maximum load ratings are dependent upon many factors. These include, but are not limited to, type of concrete, depth of slab, location of anchor in slab and depth of anchor in slab. Good judgement must be used during installation. Threaded rod supplied with an EG finish.



The bottom plate is threaded to allow vertical adjustment of the anchor rod.

Part No.	RS	Plate Size	Max. Recom. Load (lbs)	Finish*
370A0037PL	3/8 X 8	1-1/4 X 10	610	PL
370A0050PL	1/2 X 8	1-1/4 X 10	1180	PL
370A0062PL	5/8 X 8	1-1/4 X 10	1810	PL
370A0075PL	3/4 X 12	2 X 5	2710	PL
370A0087PL	7/8 X 12	3 X 8	3360	PL

All dimensions are in inches unless otherwise noted.

\*See page 2 for finish and material descriptions. All material is Carbon Steel unless otherwise noted.



# Structural Attachments

## Model #RAWL Rawl Pipe Spike

**APPLICATION:** For use in concrete with threaded rod.

**NOTE:** Vibration-resistant.



Part No.	Size	Drill Dia.	Min. Depth
RAWL3758	3/8	1/4	1-1/4

4

## Model #HMZE HangerMate® Anchors

**APPLICATION:** Used for supporting/anchoring threaded rod in wood, steel, or concrete structural members.

**NOTE:** For use on horizontal and vertical surfaces.

	Part No.	Description
	HMZE200	Recessed drive socket for metal and wood side mount applications
	HMZE215	Vert. recessed drive socket for metal and wood vertical mount applications
	HMZE220	Concrete recessed drive socket sleeve
	HMZE230	Carbide countersink tool use with HMZG730 for concrete/masonry applications
	HMZE380	SDS Hex Shank Drill Bit
	HMZG660	Self drilling 3/8 rod anchor for wood (Replaces HMZE560 for wood & HMZE710)
	HMZG730	3/8 rod anchor for concrete (Replaces HMZE560 for concrete)

	Part No.	Description
	HMZG550	Self drilling anchor for steel 16ga. - 1/4. (Replaces HMZE605)
	HMZG471	3/8 rod anchor for steel and purlin (Replaces HMZE609 & HMZE655)
	HMZH476	3/8 rod anchor for sidewall, steel and purlin (Replaces HMZE800)
	HMZH455	3/8 rod anchor for sidewall (.125 max) (Replaces HMZE815)
	HMZH475	3/8 rod anchor for steel (.25 max) (Replaces HMZE815)
	HMZH665	3/8 rod anchor for sidewall/wood (Replaces HMZE830 & HMZE880)

HangerMate is a registered trademark of Textron, Inc.

All dimensions are in inches unless otherwise noted.

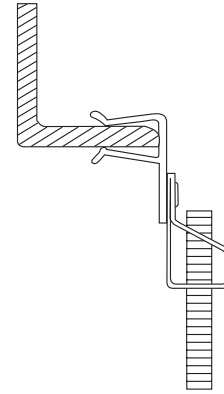
\*See page 2 for finish and material descriptions. All material is Carbon Steel unless otherwise noted.

# Structural Attachments

## Model #4TI/6TI Hammer-On Rod Clip

**APPLICATION:** Used to support 1/4" and 3/8" threaded rod from beam flanges 1/8" thru 3/4" thick.

**NOTE:** Installation: hammer over the flange, insert rod and adjust to desired length.



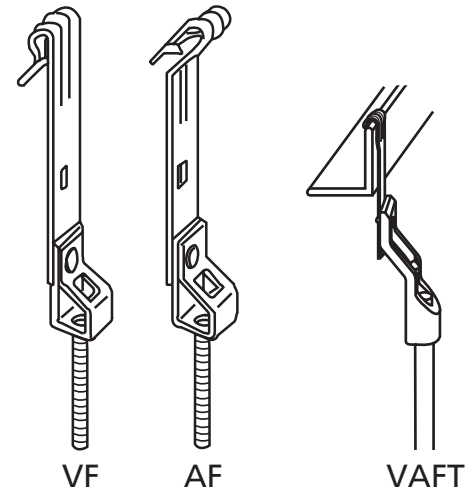
4

Part No.	Flange Thickness	RS	Finish*	Load Limit (lbs)
4TI24	1/8 - 1/4	1/4 - 20	ZP	200
4TI58	5/16 - 1/2	1/4 - 20	ZP	200
4TI912	9/16 - 3/4	1/4 - 20	ZP	200
6TI24	1/8 - 1/4	3/8 - 16	ZP	200
6TI58	5/16 - 1/2	3/8 - 16	ZP	200
6TI912	9/16 - 3/4	3/8 - 16	ZP	200

## Model #AF, VF, VAFT Hammer-On C & Z Purlin Rod Clip

**APPLICATION:** Used to support 1/4" and 3/8" threaded rod from purlin beam flanges 1/16" thru 1/4" thick.

**NOTE:** Hammer-on or install from the floor with the VAFT tool.

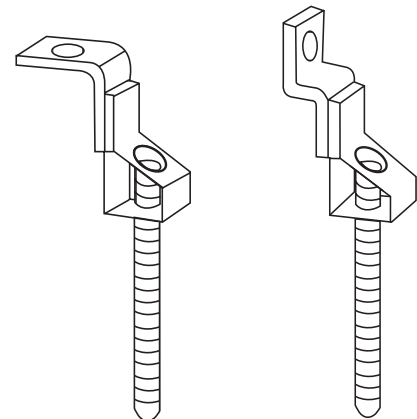


Part No.	Flange Thickness	RS	Finish*	Load Limit (lbs)
AF144TI	1/16 - 1/4	1/4 - 20	ZP	100
AF146TI	1/16 - 1/4	3/8 - 16	ZP	100
VF144TI	1/16 - 1/4	1/4 - 20	ZP	160
VF146TI	1/16 - 1/4	3/8 - 16	ZP	160
VAFT	—	—	—	—

## Model #4T/6T Rod Clip with Bracket

**APPLICATION:** Used to support 1/4" and 3/8" threaded rod from wood or concrete beams, joists, ceilings and walls. Mounting hole for 1/4" bolt.

**NOTE:** Available with either right angle or offset bracket.



Part No.	Figure No.	RS	Finish*	Load Limit (lbs)
4TIB	1	1/4 - 20	ZP	160
4TIO	2	1/4 - 20	ZP	160
6TIB	1	3/8 - 16	ZP	160
6TIO	2	3/8 - 16	ZP	160

Figure 1

Figure 2

All dimensions are in inches unless otherwise noted.  
\*See page 2 for finish and material descriptions. All material is Carbon Steel unless otherwise noted.



# Structural Attachments

## Model #MSS/MSR Hammer-On Strap Hanger Clip

**APPLICATION:** To support pipe or duct from flange with banding or strapping.

**NOTE:** Pre-measure length of strap needed, hammer over the flange, then trapeze pipe or duct. Accepts strap widths up to 1-1/4".

Part No.	Figure No.	Flange Thickness	Finish*	Load Limit (lbs)
MSS24	1	1/8 - 1/4	ZP/EG	200
MSS58	1	5/16 - 1/2	ZP/EG	200
MSS912	1	9/16 - 3/4	ZP/EG	200
MSR24	2	1/8 - 1/4	ZP/EG	200
MSR58	2	5/16 - 1/2	ZP/EG	200
MSR912	2	9/16 - 3/4	ZP/EG	200

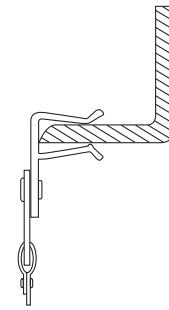


Figure 1  
for parallel installations

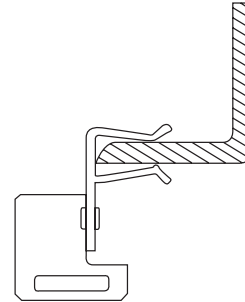


Figure 2  
for right angled installations

4

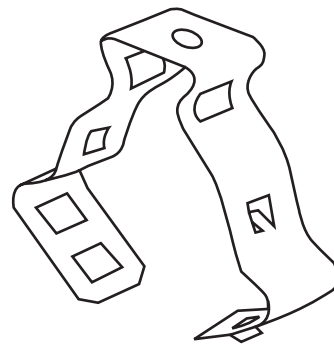
## Model #6M, 812M, 16M, 20M, 24M, 32M Finger-Close Pipe Clamp

**APPLICATION:** To support pipe or copper tubing.

**NOTE:** May be used for either vertical or horizontal installations. Mounting hole for 1/4" bolt or rod.

For Pipe

Part No.	Pipe Size	Finish*	Load Limit (lbs)
812M	1/2 - 3/4	ZP	100
16M	1	ZP	100
20M	1-1/4	ZP	100
24M	1-1/2	ZP	100
32M	2	ZP	100



For Copper Tube

Part No.	Tube Size	Finish*	Load Limit (lbs)
6MCP	1/2	CP	100
812MCP	3/4	CP	100
16MCP	1	CP	100
20MCP	1-1/4	CP	100
24MCP	1-1/2	CP	100
32MCP	2	CP	100

All dimensions are in inches unless otherwise noted.

\*See page 2 for finish and material descriptions. All material is Carbon Steel unless otherwise noted.

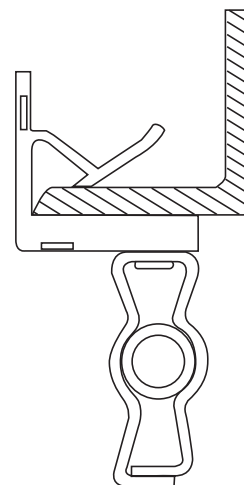
# Structural Attachments

## Model #6M, 812M, 16M, 20M, 24M, 32M Hammer-On, Finger-Close Pipe Clamp

**APPLICATION:** To support 1/2" to 2" pipe or copper tubing from beam flanges 1/8" to 3/4" thick.

**NOTE:** Pipe/tube clip pivots a full 360°

**Installation:** Hammer over the flange, insert pipe/tube, then snap clip together.



4

### For Pipe

Part No.	Flange Thickness	PS	Finish*	Load Limit (lbs)
812M24	1/8 - 1/4	1/2-3/4	ZP	75
812M58	5/16 - 1/2	1/2-3/4	ZP	75
812M912	9/16 - 3/4	1/2-3/4	ZP	75
16M24	1/8 - 1/4	1	ZP	75
16M58	5/16 - 1/2	1	ZP	75
16M912	9/16 - 3/4	1	ZP	75
20M24	1/8 - 1/4	1-1/4	ZP	75
20M58	5/16 - 1/2	1-1/4	ZP	75
20M912	9/16 - 3/4	1-1/4	ZP	75
24M24	1/8 - 1/4	1-1/2	ZP	75
24M58	5/16 - 1/2	1-1/2	ZP	75
24M912	9/16 - 3/4	1-1/2	ZP	75
32M24	1/8 - 1/4	2	ZP	75
32M58	5/16 - 1/2	2	ZP	75
32M912	9/16 - 3/4	2	ZP	75

### For Copper Tube

Part No.	Flange Thickness	PS	Finish*	Load Limit (lbs)
6MCP24	1/8 - 1/4	1/2	ZP/CP	75
6MCP58	5/16 - 1/2	1/2	ZP/CP	75
6MCP912	9/16 - 3/4	1/2	ZP/CP	75
812MCP24	1/8 - 1/4	3/4	ZP/CP	75
812MCP58	5/16 - 1/2	3/4	ZP/CP	75
812MCP912	9/16 - 3/4	3/4	ZP/CP	75
16MCP24	1/8 - 1/4	1	ZP/CP	75
16MCP58	5/16 - 1/2	1	ZP/CP	75
16MCP912	9/16 - 3/4	1	ZP/CP	75
20MCP24	1/8 - 1/4	1-1/4	ZP/CP	75
20MCP58	5/16 - 1/2	1-1/4	ZP/CP	75
20MCP912	9/16 - 3/4	1-1/4	ZP/CP	75
24MCP24	1/8 - 1/4	1-1/2	ZP/CP	75
24MCP58	5/16 - 1/2	1-1/2	ZP/CP	75
24MCP912	9/16 - 3/4	1-1/2	ZP/CP	75
32MCP24	1/8 - 1/4	2	ZP/CP	75
32MCP58	5/16 - 1/2	2	ZP/CP	75
32MCP912	9/16 - 3/4	2	ZP/CP	75



All dimensions are in inches unless otherwise noted.  
\*See page 2 for finish and material descriptions. All material is Carbon Steel unless otherwise noted.

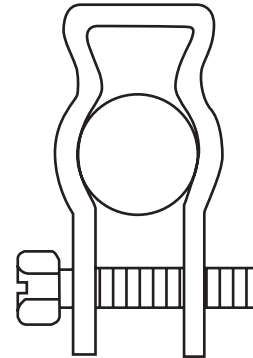
# Structural Attachments

## Model #CD One-Piece Pipe Clip

**APPLICATION:** To support 1/2" to 4" rigid pipe, 1/2" to 2" copper tubing or conduit. (2-1/2" to 4" available with nuts.)

**NOTE:** May be used for either vertical or horizontal installations.

**Installation:** Mount clip, slide screw to washer, then insert pipe and assemble.



4

### For Rigid Pipe

Part No.	BS	PS	Finish*	Load Limit (lbs)
CD0B	1/4	1/2	EG	250
CD1B	1/4	3/4	EG	250
CD2B	1/4	1	EG	250
CD3B	1/4	1-1/4	EG	250
CD4B	5/16	1-1/2	EG	350
CD5B	5/16	2	EG	350
CD6B	5/16	2-1/2	EG	350
CD7B	5/16	3	EG	350
CD8B	5/16	3-1/2	EG	350
CD9B	5/16	4	EG	350
CD0B37	3/8	1/2	EG	250
CD1B37	3/8	3/4	EG	250
CD2B37	3/8	1	EG	250
CD3B37	3/8	1-1/4	EG	250
CD4B37	3/8	1-1/2	EG	350
CD5B37	3/8	2	EG	350

### For Copper Tubing

Part No.	BS	PS	Finish*	Load Limit (lbs)
CD0BCP	1/4	1/2	CP	250
CD1BCP	1/4	3/4	CP	250
CD2BCP	1/4	1	CP	250
CD2.5BCP	1/4	1-1/4	CP	250
CD3BCP	1/4	1-1/2	CP	350
CD5BCP	1/4	2	CP	350
CD0B37CP	3/8	1/2	CP	250
CD1B37CP	3/8	3/4	CP	250
CD2B37CP	3/8	1	CP	250
CD2.5B27CP	3/8	1-1/4	CP	250
CD3B37CP	3/8	1-1/2	CP	350
CD5B37CP	3/8	2	CP	350

All dimensions are in inches unless otherwise noted.

\*See page 2 for finish and material descriptions. All material is Carbon Steel unless otherwise noted.