

Sway Bracing

Nominal ASTM Pipe Size in Inches	ASTM Schedule or Type ¹	Schedule 40 Sway Brace Pipe Size ²	U.L. Minimum Required Load – Reference U.L. 203A ³	U.L Rated Loads for ERICO Quick Clamps							
				Model TP220	Model TP220G	Model TP225	Model TP225G	Model TP230	Model TP230G	Model TP235	Model TP240
2	10 - 40	1 or 1-1/4	380	380	N/A	380	1515	380	N/A	380	380
2-1/2	10 - 40	1 or 1-1/4	395	395	N/A	395	1570	395	N/A	395	395
3	10 - 40	1 or 1-1/4	435	435	N/A	435	1630	435	N/A	435	435
3-1/2	10 - 40	1 or 1-1/4	540	540	N/A	540	N/A	540	N/A	540	540
4	10 - 40	1 or 1-1/4	655	655	1740	655	1740	N/A	1740	655	655
5	10 - 40	1 or 1-1/4	935	935	1880	935	1880	N/A	1880	935	935
6	10 - 40	1 or 1-1/4	1265	1265	2610	N/A	2610	N/A	2610	N/A	N/A
8	10 - 40	1 or 1-1/4	2015	N/A	3660	N/A	3660	N/A	3660	N/A	N/A

¹ ERICO Quick Clamps are U.L. tested and listed for use with ASTM schedule 10 through 40 brace pipe.

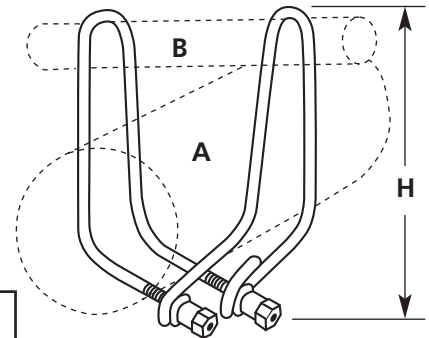
² ERICO Quick Clamps meet the full U.L. rated load when used with 1" or 1-1/4" schedule 40 brace pipe.

³ ERICO Quick Clamps meet the U.L. requirement that lateral braces must support a load equal to 1-1/2 times the rated load without slippage.

Model #TP220 Quick Clamp Sway Brace Pipe Attachment

APPLICATION: For laterally bracing pipe against sway disturbances.

NOTE: Available in EG finish



Part No.	Braced Pipe Size (A)	Bracing Pipe Size (B)	H	Finish*
TP2201000125PL	1-1/4	1	-	PL
TP2201000150PL	1-1/2	1	4-3/4	PL
TP2201000200PL	2	1	5-1/8	PL
TP2201000250PL	2-1/2	1	5-5/8	PL
TP2201000300PL	3	1	6-1/4	PL
TP2201000400PL	4	1	7-1/4	PL
TP2201000500PL	5	1	8-3/4	PL
TP2201000600PL	6	1	9-3/4	PL
TP2201000800PL	8	1	11-3/8	PL
TP2201250125PL	1-1/4	1-1/4	-	PL
TP2201250150PL	1-1/2	1-1/4	5	PL
TP2201250200PL	2	1-1/4	5-1/2	PL
TP2201250250PL	2-1/2	1-1/4	6	PL
TP2201250300PL	3	1-1/4	6-5/8	PL
TP2201250400PL	4	1-1/4	7-5/8	PL
TP2201250500PL	5	1-1/4	8-5/8	PL
TP2201250600PL	6	1-1/4	9-3/4	PL
TP2201250800PL	8	1-1/4	11-3/4	PL

13



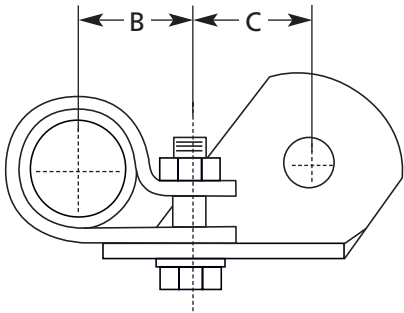
All dimensions are in inches unless otherwise noted.
*See page 2 for finish and material descriptions. All material is Carbon Steel unless otherwise noted.

Sway Bracing

Model #TP225 Quick End Threadless Brace Fitting

APPLICATION: Used to ease the installation of transverse and/or longitudinal sway bracing.

NOTE: Available in EG finish



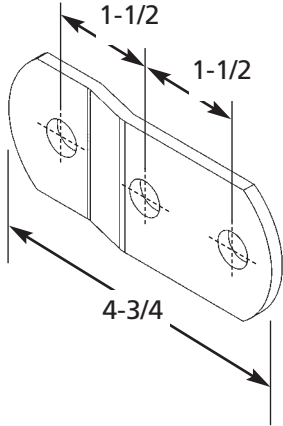
Part No.	Bracing Pipe Size (A)	B	C	Finish*
TP225G100PL**	1	1-3/8	1-1/8	PL
TP225G125PL**	1-1/4	1-3/4	1-1/8	PL
TP225100PL	1	1-3/8	1-1/8	PL
TP225125PL	1-1/4	1-3/4	1-1/8	PL

** Heavy Duty Assembly

Model #TP225A Quick Loader Adapter Plate

APPLICATION: Allows TP225 to be attached with two or three attachment bolts.

Part No.	Finish*
TP225A000PL	PL



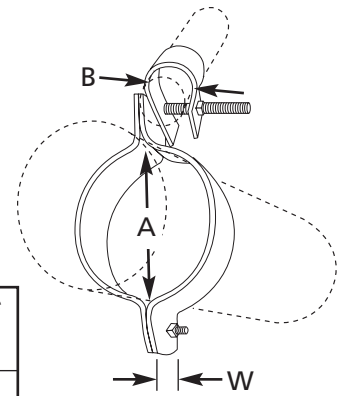
All dimensions are in inches unless otherwise noted.
*See page 2 for finish and material descriptions. All material is Carbon Steel unless otherwise noted.

Sway Bracing

Model #TP230 Quick In-Line Longitudinal Sway Brace Clamp

APPLICATION: For longitudinally bracing piping against sway.

NOTE: Available in EG finish.



Part No.	Braced Pipe Size (A)	Bracing Pipe Size (B)	T	W	Finish*
TP230G1000600PL**	6	1	3/16	2	PL
TP230G1000800PL**	8	1	1/4	2	PL
TP230G1250600PL**	6	1-1/4	3/16	2	PL
TP230G1250800PL**	8	1-1/4	1/4	2	PL
TP2301000100PL	1	1	3/16	1	PL
TP2301000125PL	1-1/4	1	3/16	1	PL
TP2301000150PL	1-1/2	1	3/16	1	PL
TP2301000200PL	2	1	3/16	1	PL
TP2301000250PL	2-1/2	1	3/16	1	PL
TP2301000300PL	3	1	3/16	1	PL
TP2301000400PL	4	1	3/16	1	PL
TP2301000500PL	5	1	3/16	2	PL
TP2301000600PL	6	1	3/16	2	PL
TP2301000800PL	8	1	1/4	2	PL
TP2301250125PL	1-1/4	1-1/4	3/16	1	PL
TP2301250150PL	1-1/2	1-1/4	3/16	1	PL
TP2301250200PL	2	1-1/4	3/16	1	PL
TP2301250250PL	2-1/2	1-1/4	3/16	1	PL
TP2301250300PL	3	1-1/4	3/16	1	PL
TP2301250400PL	4	1-1/4	3/16	1	PL
TP2301250500PL	5	1-1/4	3/16	2	PL
TP2301250600PL	6	1-1/4	3/16	2	PL
TP2301250800PL	8	1-1/4	1/4	2	PL

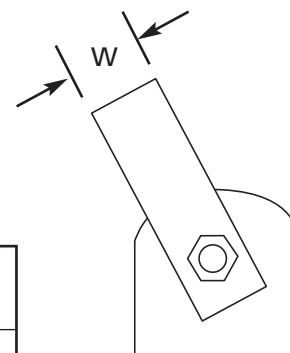
** Heavy Duty Assembly

13

Model #TP235 Quick Tab Longitudinal Sway Brace Fitting

APPLICATION: For longitudinally bracing piping against sway when welding is an option.

Part No.	Bracing Pipe Size (A)	T	W	Finish*
TP235100PL	1	3/16	2	PL
TP235125PL	1-1/4	3/16	2	PL



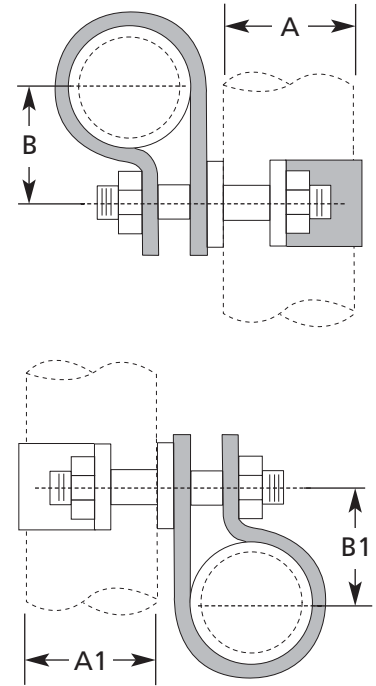
All dimensions are in inches unless otherwise noted.
*See page 2 for finish and material descriptions. All material is Carbon Steel unless otherwise noted.

Sway Bracing

Model #TP240 Quick 4-way Longitudinal Sway Brace Clamp

APPLICATION: For longitudinally bracing lateral sway bracing against sway disturbance. Also useful for riser bracing.

Part No.	Bracing Pipe Size (AxA1)	B	B1	Finish*
TP2401000100EG	1 X 1	1-3/8	1-3/8	EG
TP2401000100PL	1 X 1	1-3/8	1-3/8	PL
TP2401000125EG	1 X 1-1/4	1-3/8	1-3/4	EG
TP2401000125PL	1 X 1-1/4	1-3/8	1-3/4	PL

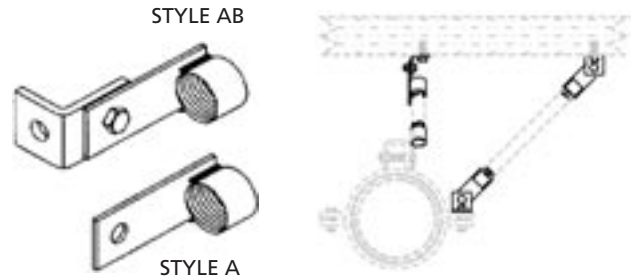


Model #TP280 Threaded Brace Fitting

APPLICATION: Use with models: #400, #450, #610 and any length of 1" pipe to restrain pipe from swaying during an earthquake.

Available with an EG finish by special order.

Part No.	Pipe Size	Style	Finish*
TP2800100PL	1	AB	PL
TP280P0100PL	1	A	PL

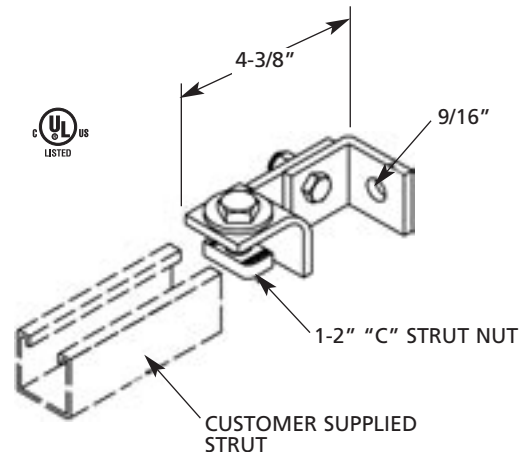


Model #1910 Pivoting Brace Fitting for End of Strut

APPLICATION: Used to ease the installation of transverse and/or longitudinal bracing.

NOTE: Fitting is designed to attach to end of a strut.

Part No.	BS	Finish*
1910000PL	1/2	PL



13

All dimensions are in inches unless otherwise noted.

*See page 2 for finish and material descriptions. All material is Carbon Steel unless otherwise noted.

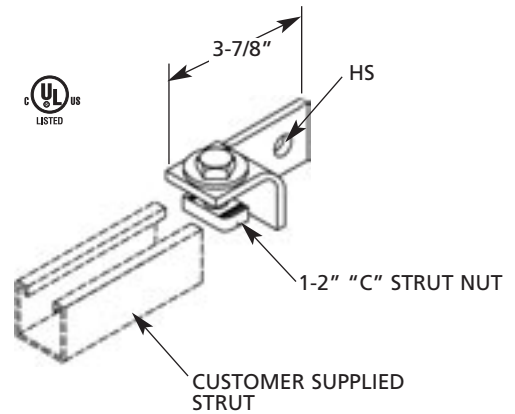
Sway Bracing

Model #1975 Brace Fitting for End of Strut

APPLICATION: Used to ease the installation of transverse and/or longitudinal bracing.

NOTE: Fitting is designed to attach to end of a strut.

Part No.	Size	HS	Finish*
1975000PL	1/2	9/16	PL

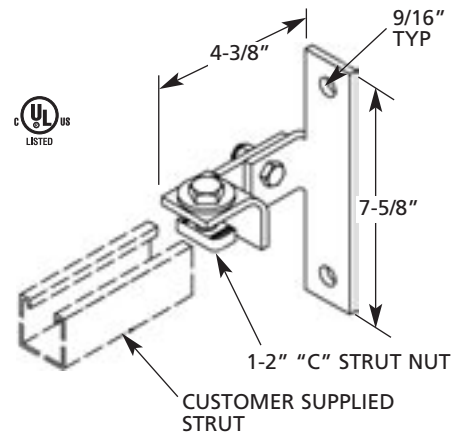


Model #1980 Pivoting Brace Fitting with Plate for End of Strut

APPLICATION: Used to ease the installation of transverse and/or longitudinal bracing.

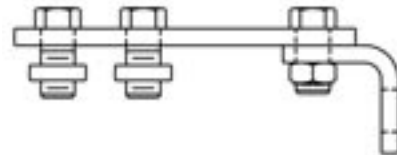
NOTE: Fitting is designed to attach to end of a strut.

Part No.	BS	Finish*
1980000PL	1/2	PL



Model #PA1 Pivoting Brace Assembly (90 degrees)

APPLICATION: Used to ease installation of transverse and longitudinal bracing.



13

Part No.	Bolt Size	Finish*
PA10050EG	1/2	EG
PA10062EG	5/8	EG
PA10087EG	7/8	EG
PA10100EG	1	EG
PA10125EG	1-1/4	EG



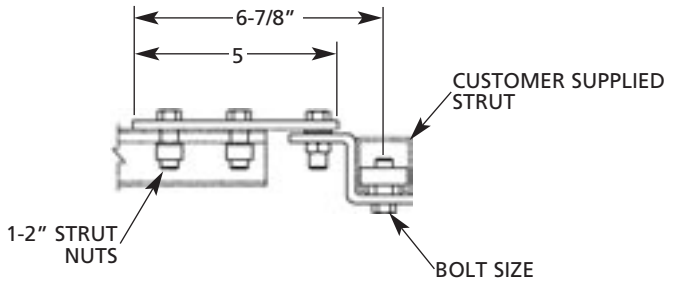
All dimensions are in inches unless otherwise noted.
*See page 2 for finish and material descriptions. All material is Carbon Steel unless otherwise noted.

Sway Bracing

Model #PA4 Pivoting Assembly (Offset)

APPLICATION: Used to ease installation of traverse and longitudinal bracing.

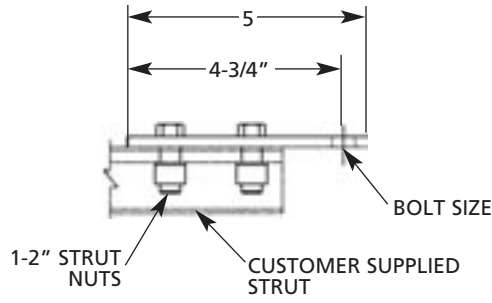
Part No.	Bolt Size	Finish*
PA40050EG	1/2	EG



Model #PA5 Brace Fitting

APPLICATION: Used to ease installation of traverse and longitudinal bracing.

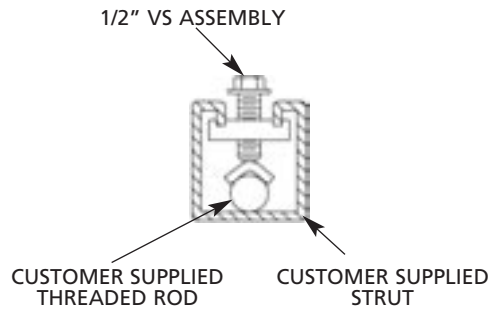
Part No.	Bolt Size	Finish*
PA50000EG	1/2	EG



Model #VS Vertical Rod Stiffener

APPLICATION: Use to support (stiffen) vertical threaded rods.

Part No.	Rod Size	Finish*
VS0050EG	1/2	PL



All dimensions are in inches unless otherwise noted.
 *See page 2 for finish and material descriptions. All material is Carbon Steel unless otherwise noted.