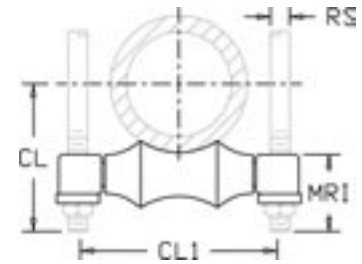


# Pipe Rollers and Roller Supports

## Model #605 Two Rod Roller Hanger

**APPLICATION:** To suspend pipe from two rods where longitudinal movement in pipe may occur due to expansion or contraction.

**NOTE:** Roll and sockets are Cast Iron, axle is Carbon Steel.  
Available with an EG finish by special order.



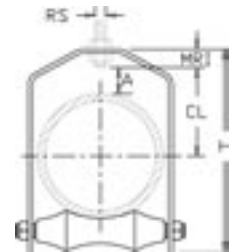
Part No.	Pipe Size	CL	CL 1	RS	MRI	Max. Recom. Load (lbs)	Finish*
6050250PL	2-1/2	3-1/4	4-7/8	1/2	1-13/16	660	PL
6050300PL	3	3-9/16	5-1/2	1/2	1-13/16	700	PL
6050350PL	3-1/2	3-7/8	6-1/8	1/2	1-13/16	750	PL
6050400PL	4	4-3/8	6-3/4	5/8	2-1/4	750	PL
6050500PL	5	5	8-1/16	5/8	2-1/4	750	PL
6050600PL	6	5-13/16	9-9/16	3/4	2-5/8	1070	PL
6050800PL	8	7-3/16	11-15/16	7/8	3-1/16	1350	PL
6051000PL	10	8-7/16	14-1/16	7/8	3-1/16	1730	PL
6051200PL	12	9-5/8	15-13/16	7/8	3-3/16	2400	PL
6051400PL	14	10-7/8	17-3/4	1	3-1/2	3130	PL
6051600PL	16	12	19-3/4	1	3-9/16	3970	PL
6051800PL	18	13-1/16	21-7/8	1	3-9/16	4200	PL
6052000PL	20	14-9/16	24-1/4	1-1/4	4-5/16	4550	PL
6052400PL	24	17-3/8	28-5/8	1-1/2	4-15/16	6160	PL
6053000PL	30	20-15/16	35-3/4	1-1/2	5-9/16	7290	PL

**Conforms With:** Federal Specification **WW-H-171** (Type 42), Manufacturers Standardization Society **ANSI/MSS-SP-58** (Type 41); install in accordance with **ANSI/MSS-SP-69**.

## Model #610 One Rod Roller Hanger

**APPLICATION:** To suspend pipe from a single hanger rod where longitudinal movement may occur in the pipe due to expansion or contraction.

**NOTE:** Yoke and axle are Carbon Steel and roll is Cast Iron.  
Available with an EG finish by special order.



11

Part No.	Pipe Size	H	CL	RS	MRI	A	Max. Recom. Load (lbs)	Finish*
6100250PL	2-1/2	6-3/8	3-1/8	1/2	3/4	1-11/16	225	PL
6100300PL	3	7	3-3/8	1/2	3/4	1-9/16	310	PL
6100350PL	3-1/2	7-11/16	3-5/8	1/2	13/16	1-5/8	390	PL
6100400PL	4	8-7/16	3-3/4	5/8	15/16	1-1/2	475	PL
6100500PL	5	10-3/16	4-9/16	5/8	1-1/16	1-3/4	685	PL
6100600PL	6	11-7/16	5-1/8	3/4	1-3/16	1-13/16	780	PL
6100800PL	8	13-15/16	6-1/8	7/8	1-5/16	1-13/16	780	PL
6101000PL	10	16-3/8	7-7/16	7/8	1-5/16	2-1/16	965	PL
6101200PL	12	18-7/8	8-9/16	7/8	1-7/16	2-3/16	1200	PL
6101400PL	14	20-7/8	8-7/16	1	1-9/16	1-7/8	1200	PL
6101600PL	16	22-7/16	9-7/16	1	1-9/16	1-7/16	1200	PL
6101800PL	18	25-3/4	11-9/16	1	1-3/4	2-9/16	1400	PL
6102000PL	20	27	11-9/16	1-1/4	1-15/16	2-9/16	1600	PL
6102400PL	24	32-7/16	14-9/16	1-1/4	1-15/16	2-9/16	1600	PL

**Conforms With:** Federal Specification **WW-H-171** (Type 44), Manufacturers Standardization Society **ANSI/MSS-SP-58** (Type 43); install in accordance with **ANSI/MSS-SP-69**.

All dimensions are in inches unless otherwise noted.

\*See page 2 for finish and material descriptions. All material is Carbon Steel unless otherwise noted.



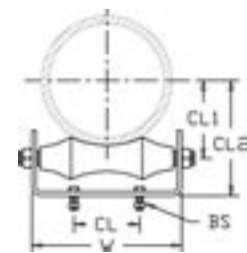
# Pipe Rollers and Roller Supports

## Model #615 Pipe Roller Support

**APPLICATION:** To support pipe from a substructure or structural member where longitudinal movement may occur due to expansion or contraction.

**NOTE:** Chair and axle are Carbon Steel and roll is Cast Iron.

Available with an EG finish by special order.



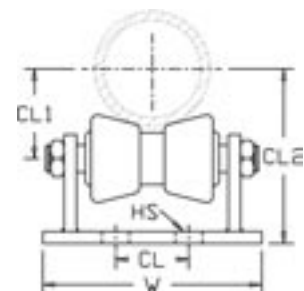
Part No.	Pipe Size	CL	CL1	CL2	BS	W	Max. Recom. Load (lbs)	Finish*
6150250PL	2-1/2	1-1/4	1-7/8	3-1/2	3/8x1-1/4	3-3/4	600	PL
6150300PL	3	2	2-1/4	4	3/8x1-1/4	4-3/8	600	PL
6150350PL	3-1/2	2	2-5/8	4-5/8	3/8x1-1/4	5-1/8	600	PL
6150400PL	4	2	2-7/8	5-3/16	1/2x1-1/2	5-3/4	700	PL
6150500PL	5	3	3-1/2	6	1/2x1-1/2	6-3/4	700	PL
6150600PL	6	3-1/8	4	6-3/4	1/2x1-1/2	7-7/8	1000	PL
6150800PL	8	3-3/8	5-1/4	8-1/4	5/8x1-3/4	10	1300	PL
6151000PL	10	5-1/4	6-5/16	9-15/16	5/8x1-3/4	12-1/4	1300	PL
6151200PL	12	5-1/2	7-1/2	11-5/8	5/8x1-3/4	14-1/4	2300	PL
6151400PL	14	5-3/4	8-3/8	13	5/8x1-3/4	15-1/2	3000	PL
6151600PL	16	8	9-7/16	14-9/16	5/8x2	17-1/4	4000	PL
6151800PL	18	9-1/2	10-7/16	15-15/16	5/8x2	19-3/4	4000	PL
6152000PL	20	10	11-1/2	17-1/8	3/4x2-1/4	21-3/4	4000	PL
6152400PL	24	12	13-15/16	20-9/16	3/4x2-1/4	26	4000	PL

**Conforms With:** Federal Specification **WW-H-171** (Type 45), Manufacturers Standardization Society **ANSI/MSS-SP-58** (Type 44); install in accordance with **ANSI/MSS-SP-69**.

## Model #617 Pipe Roll Stand with Steel Frame

**APPLICATION:** To support pipe from a substructure or structural member where longitudinal movement may occur due to expansion or contraction.

**NOTE:** Frame and axle are Carbon Steel and roll is Cast Iron.



11

Part No.	Pipe Size	CL	CL1	CL2	HS	W	Max. Recom. Load (lbs)	Finish*
6170350PL	3-1/2	1-1/2	2-5/8	4-3/8	9/16	4-1/2	390	PL
6170600PL	6	2-1/4	4	6-1/16	9/16	5-3/4	950	PL
6171000PL	10	4	6-3/8	9-13/16	11/16	8-1/4	2100	PL
6171400PL	14	5-3/4	8-1/8	12	13/16	10-9/16	3075	PL
6172000PL	20	7	11-3/8	15-5/8	13/16	11-3/4	4980	PL
6172400PL	24	7-5/8	13-3/8	17-3/4	13/16	12-3/4	6100	PL
6173000PL	30	10	16-3/4	21-7/8	1-1/16	16-1/4	7500	PL
6174200PL	42	12	23-1/8	28-7/8	1-5/16	19-1/2	12000	PL

**Conforms With:** Federal Specification **WW-H-171** (Type 45), Manufacturers Standardization Society **ANSI/MSS-SP-58** (Type 44); install in accordance with **ANSI/MSS-SP-69**.

All dimensions are in inches unless otherwise noted.

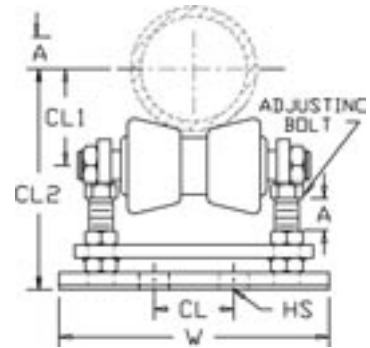
\*See page 2 for finish and material descriptions. All material is Carbon Steel unless otherwise noted.

# Pipe Rollers and Roller Supports

## Model #619 Adjustable Pipe Roll Stand with Steel Frame

**APPLICATION:** To support pipe from a substructure or structural member where longitudinal movement may occur due to expansion or contraction. Vertical adjustment is provided by adjusting bolts on each corner.

**NOTE:** Frame and axle are Carbon Steel and roll is Cast Iron.



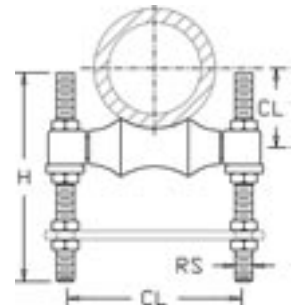
Part No.	Pipe Size	CL	CL 1	CL 2	A	W	HS	Max. Recom. Load (lbs)	Finish*
6190350PL	3-1/2	1-1/2	2-5/8	5-1/16	1-3/8	5	9/16	390	PL
6190600PL	6	2-1/4	4	6-3/4	1-3/8	6-1/4	9/16	950	PL
6191000PL	10	4	6-3/8	10-11/16	2-1/2	8-3/4	11/16	2100	PL
6191400PL	14	5-3/4	8-1/8	12-15/16	2-7/8	11	13/16	3075	PL
6192000PL	20	7	11-3/8	16-11/16	3-1/8	12-1/4	13/16	4980	PL
6192400PL	24	7-5/8	13-3/8	18-13/16	3-1/8	13-1/4	13/16	6100	PL
6193000PL	30	10	16-3/4	23-1/16	3-7/8	16-3/4	1-1/16	7500	PL
6194200PL	42	12	23-1/8	30-1/4	4-1/2	20	1-5/16	12000	PL

**Conforms With:** Federal Specification **WW-H-171** (Type 47), Manufacturers Standardization Society **ANSI/MSS-SP-58** (Type 46); install in accordance with **ANSI/MSS-SP-69**.

## Model #620 Adjustable Pipe Roll Support

**APPLICATION:** To support pipe from a substructure or structural member where longitudinal movement may occur due to expansion or contraction and where vertical adjustment of up to 6" may be necessary.

**NOTE:** Roll and sockets are Cast Iron and axle is Carbon Steel.  
Available with an EG finish by special order.



Part No.	Pipe Size	H	CL	CL1	RS	Max. Recom. Load (lbs)	Finish*
6200250PL	2-1/2	12	4-7/8	1-7/8	1/2	660	PL
6200300PL	3	12	5-1/2	2-1/4	1/2	700	PL
6200350PL	3-1/2	12	6-1/8	2-5/8	1/2	750	PL
6200400PL	4	12	6-3/4	2-7/8	5/8	750	PL
6200500PL	5	12	8-1/16	3-1/2	5/8	750	PL
6200600PL	6	12	9-9/16	4	3/4	1070	PL
6200800PL	8	12	11-15/16	5-1/4	7/8	1350	PL
6201000PL	10	12	14-1/16	6-5/16	7/8	1730	PL
6201200PL	12	12	15-13/16	7-1/2	7/8	2400	PL
6201400PL	14	12	17-3/4	8-3/8	1	3130	PL
6201600PL	16	18	19-3/4	9-7/16	1	3970	PL
6201800PL	18	18	21-7/8	10-7/16	1-1/8	4200	PL
6202000PL	20	18	24-1/4	11-1/2	1-1/4	4550	PL
6202400PL	24	24	28-5/8	13-15/16	1-1/2	6060	PL
6203000PL	30	24	35-3/4	17-1/4	1-1/2	7290	PL

**Conforms With:** Federal Specification **WW-H-171** (Type 42), Manufacturers Standardization Society **ANSI/MSS-SP-58** (Type 41); install in accordance with **ANSI/MSS-SP-69**.



All dimensions are in inches unless otherwise noted.  
\*See page 2 for finish and material descriptions. All material is Carbon Steel unless otherwise noted.