



MODEL 5000SS

Reduced Pressure Detector Assembly

■ APPLICATION

The Ames 5000SS provides protection to the potable water supply from contamination caused by a cross connection in a high hazard application.

■ INSTALLATION

The 5000SS should be installed with a minimum clearance of 12" between the lowest point of the assembly and the floor or grade. The 5000SS may be installed horizontally or vertically (flow up). Refer to local codes for specific installation requirements. The assembly must be installed so the discharge can be positively drained away.

■ NATIONAL APPROVALS

Contact the Ames factory for specific approvals.

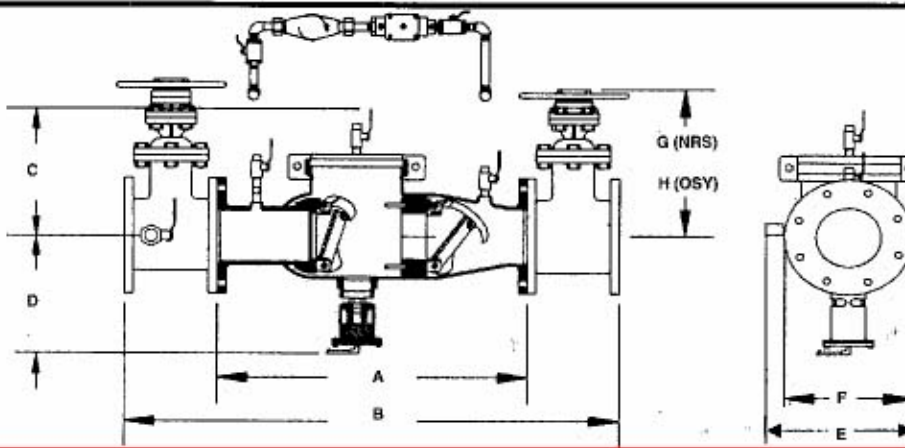
■ FEATURES

- Non-Corrosive 300 Series stainless steel (lead free) construction. Superior strength.
- 40% shorter end-to-end dimensions for compact, inexpensive installation.
- Excellent for retrofit installations.
- 50% lighter in weight, reduces installation and handling costs.
- Compact stainless steel relief valve with a balanced rolling diaphragm and no sliding seals for reliable long term performance.
- Fully serviceable in line, no special tools.
- Pretested patented* cam-check assembly for long term reliability, low head loss, ease of serviceability.
- Single two-bolt grooved style cover for quick and easy access.
- ASSE 1047 approved assembly for vertical and horizontal applications.
- Optional air gap drain, both horizontal and vertical
- Hot and cold water applications.

* Patent #5,046,525

AMES^{CO.}

FLUID CONTROL SYSTEMS



5000SS Reduced Pressure Detector Assembly

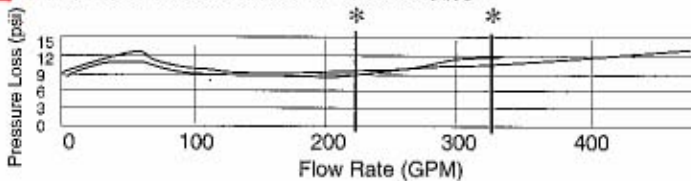
Weights & Dimensions (Inches)

Size	A	B	C	D	E	F	G-NRS	H-OSY (Open)	WT. W/ GATES	WT. W/O GATES
2 1/2"	22"	37"	10"	10 1/2"	12 1/2"	7"	11 3/8"	16 3/8"	170 lbs.	61 lbs.
3"	22"	38"	10"	10 1/2"	13"	7 1/2"	12 3/8"	18 7/8"	205 lbs.	65 lbs.
4"	22"	40"	10"	10 1/2"	14 1/2"	9"	14 3/4"	22 3/4"	270 lbs.	67 lbs.
6"	27 1/2"	48 1/2"	11 1/2"	11 1/2"	15 1/2"	11"	19"	30 1/8"	405 lbs.	105 lbs.

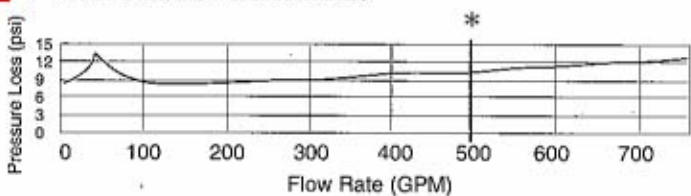
* Includes Elbows

SPECIFICATIONS

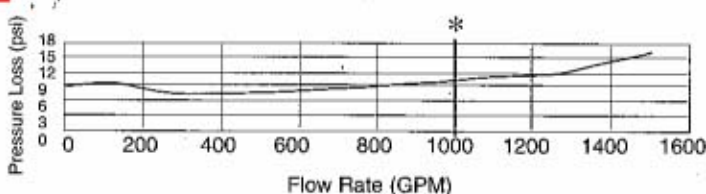
2- 2 1/2" & 3" Documented Flow Characteristics



4" Documented Flow Characteristics



6" Documented Flow Characteristics



* Approximate flow loss at UL rated flow
Rated working pressure 175 PSI

The 5000ss backflow preventer shall consist of two independently operating, spring loaded camcheck valves with a hydraulically operated differential pressure relief valve located between and below the cam-checks, required test cocks, bypass assembly and inlet and outlet resilient seat shut off valves. When normal flow exists, both check valves are open and the pressure in the area between the checks, called the zone, is at least 2 PSI lower than the inlet pressure. The differential pressure relief valve is closed during normal flow. If cessation of normal flow occurs, the differential pressure relief valve will automatically open and discharge to maintain the zone at least 2 PSI lower than the inlet pressure. This action will prevent a backflow or back siphonage condition. After the required differential is established, the differential pressure relief valve again closes.

The cam-checks include a stainless steel spring and cam-arm, rubber faced disc and a replaceable seat. The body shall be manufactured from 300 series stainless steel, lead free through the waterway, with a single two-bolt grooved style access cover. No special tools shall be required for servicing. The relief valve shall be compact with a rolling diaphragm and no sliding seals. The relief valve shall discharge in a 360° radius. The bypass line consists of a small diameter reduced pressure backflow assembly, water meter and shut-off valves.

PHYSICAL CHARACTERISTICS

- Size: 2 1/2", 3", 4", 6"
- Rated working pressure: 175 psi
- Hydrostatic pressure 350 psi
- Temperature range- 32°F - 110° F
- Flange dimensions in accordance with AWWA with Class D
- 300 series stainless steel construction
- Assembly shall be ASSE 1047 approved for vertical installations.