



TEST AND DRAIN®

3/4" 1" 1 1/4" 1 1/2" 2"

3/4" UL LISTED ONLY



- ❑ The AGF Manufacturing Co., Inc. Model 1000 has been designed to provide both the **Test Function** and the **Express Drain Function** in a multistory installation.
- ❑ Complies with all requirements of NFPA-13, NFPA-13R, and NFPA-13D
- ❑ Positive shut off
- ❑ Single Handle
- ❑ Tapped for Pressure Gauge
- ❑ Tamper Resistant Orifice permanently installed
- ❑ Available with all required Orifices
- ❑ Orifice size noted on Indicator plate
- ❑ Lightweight and compact
- ❑ 300 PSI Rating
- ❑ Integral tamper resistant sight glasses
- ❑ Full range of sizes from 3/4" to 2"



Visit us
on the Internet
at

www.testandrain.com



MODEL 1000

300 PSI



TEST AND DRAIN®

3/4"

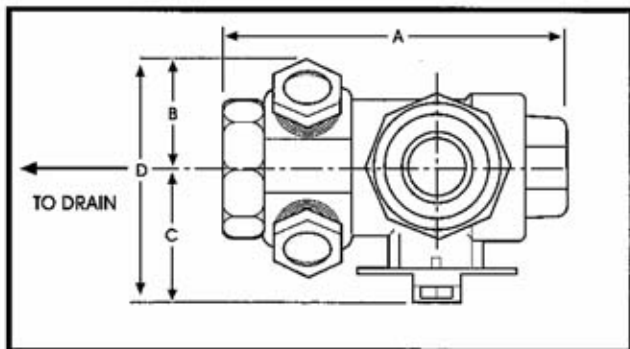
1"

1 1/4"

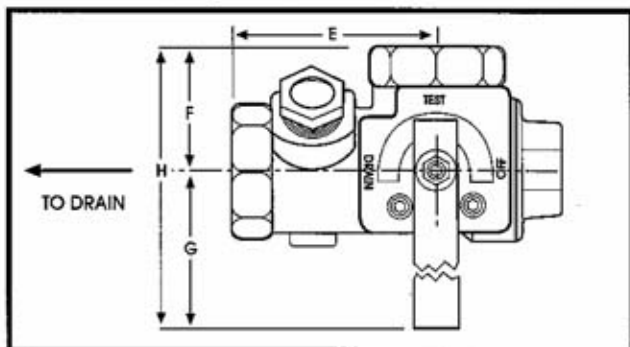
1 1/2"

2"

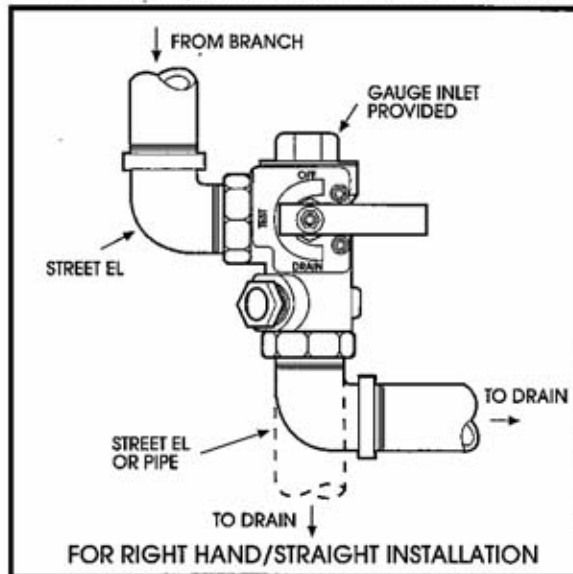
PLAN VIEW



FRONT VIEW/HORIZONTAL INSTALLATION



FRONT VIEW/VERTICAL INSTALLATION



ORIFICE SIZE AVAILABLE - 3/8, 7/16, 1/2, 17/32, ELO(5/8)*, ESRF(3/4)*
DIMENSIONS - INCHES

SIZE	A	B	C	D	E	F	G	H
3/4"	5 1/16" 128mm	1 1/2" 37.58mm	2 3/16" 55.65mm	3 5/8" 93.23mm	3 3/8" 85.88mm	1 13/16" 45.30mm	4 9/16" 117.12mm	6 3/8" 162.42mm
1"	5 1/16" 128mm	1 1/2" 37.58mm	2 3/16" 55.65mm	3 5/8" 93.23mm	3 3/8" 85.88mm	1 13/16" 45.30mm	4 9/16" 117.12mm	6 3/8" 162.42mm
1 1/4"	5 7/16" 137.70mm	1 11/16" 42.70mm	2 9/16" 65.36mm	4 1/4" 108.36mm	3 5/16" 82.84mm	1 15/16" 50.89mm	5 9/16" 141.39mm	5 1/2" 192.28mm
1 1/2"	6 7/16" 163.38mm	1 13/16" 45.50mm	3 1/4" 81.50mm	5 1/16" 127mm	3 7/8" 99.18mm	2 5/8" 66.97mm	8 1/4" 206.63mm	10 7/8" 273.60mm
2"	6 7/16" 163.38mm	1 13/16" 45.50mm	3 1/4" 81.50mm	5 1/16" 127mm	3 7/8" 99.18mm	2 5/8" 66.97mm	8 1/4" 206.63mm	10 7/8" 273.60mm

APPROVALS:

- UL and ULC Listed
- FM Approved except 3/4"
- NYC BD. of S&A CAL. NO. 720-87-SM
- CA. State Fire Marshall

MATERIAL LIST

PART:	MATERIAL:
HANDLE	STEEL
STEM	ROD BRASS
BALL	C.P BRONZE
BODY	BRONZE
VALVE SEAT	IMPREGNATED TEFLON
INDICATOR PLATE	STEEL
HANDLE LOCK	SPRING STEEL

*Available on 1 1/4" to 2" size units only.

USA Patent #4741361 and other patents pending

2" ELO/ESFR is UL Listed & FM Approved
 1 1/4" ELO/ESFR is UL Listed

The Reliable Automatic Sprinkler Co., Inc
 525 N. MacQuesten Parkway
 Mount Vernon, NY 10552
 Phone 800.431.1588
 www.reliablesprinkler.com



JOB NAME: _____
 ARCHITECT: _____
 ENGINEER: _____
 CONTRACTOR: _____