



Model MP (Multi-Purpose) 1" Residential Riser

1" (25mm) Residential Riser for Providing Water Flow Alarm on Multipurpose Residential Fire Sprinkler Systems

Features

1. Designed to alarm on single fire sprinkler operation and not during normal household water usage.
2. Potable-water safe.
3. Water-flow Detector is preset to operate at 12 gpm \pm 1 gpm (45.4 Lpm \pm 3.8 Lpm), and is factory installed with a weather-proof metal cover.
4. Dedicated UL Listed water-flow detector assures optimum sensitivity while the adjustable delay device minimizes false alarms caused by pressure surges or short periods of water usage above 12 gpm.
5. Switch can be wired for 24 VDC or 125/250 VAC operation.
6. Stainless steel 1" (25mm) manifold with NPT or Metric Inlet and Outlet Threads.
7. Factory assembled and tested.
8. Rated working pressure not to exceed 175 psi.
9. UL Listed Assembly. NSF-61 Approved.
10. When the Model MP Riser is utilized in sprinkler systems with sprinklers having K-factors less than 4.4, there must be a minimum of 15 psi of operating pressure at the system's most remote head.

Listings & Approvals

1. Listed by Underwriters Laboratories Inc. (cULus)
2. NSF-61 Approved

Product Description

The Multi-Purpose-Riser comes factory assembled with the necessary accessories for a cost effective, complete riser assembly.

Cast-on lettering identifies manifold size and flow direction. This Riser can be used safely where domestic water and fire protection water are combined.

The water flow detector range, preset to 12 gpm \pm 1 gpm, is designed to protect the system from false tripping when multiple household fixtures are in use. When the Model MP Riser is utilized in sprinkler systems with sprinklers having K-factors less than 4.4, there must be a minimum of 15 psi of operating pressure at the system's most remote head.

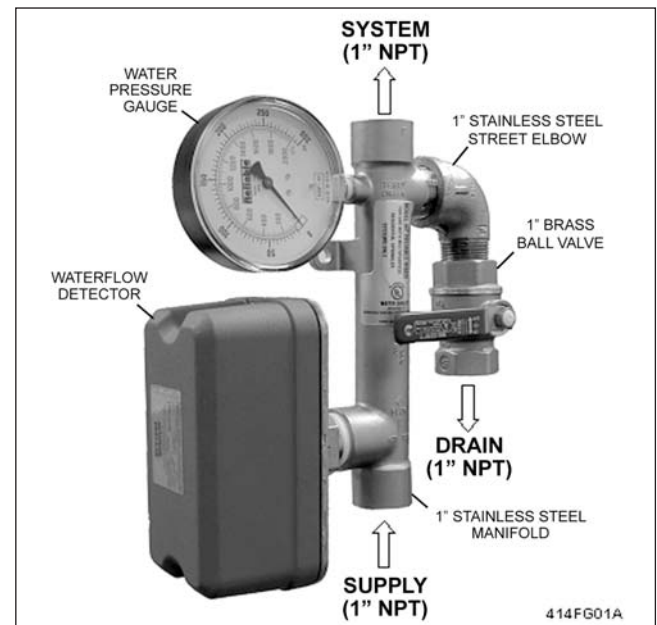


Fig. 1

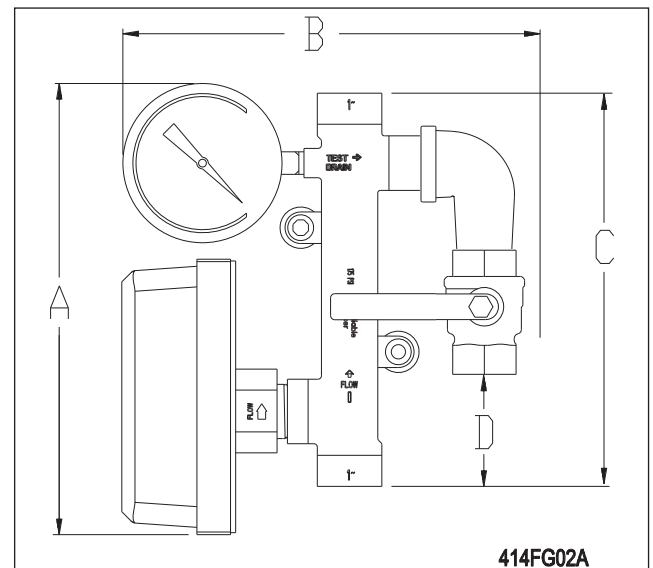


Fig. 2

Technical Data:

Description	Multi Purpose Riser Trim				
	Dimensions inch (mm)				Weight*
1" (25mm)	A	B	C	D	Lbs (kg)
	11 (280)	10 (254)	9.5 (241)	2.75 (70)	5.7 (2.1)

* Support Bracket Kit (optional) - 1 lb (0.45 kg)

Installation:

1. Install the manifold with the flow arrow pointing towards the SYSTEM side using 1" NPT threaded connections. Use potable water - safe thread sealants only (teflon tape is recommended).
2. Connect 1" Brass Ball Valve to drain.
3. Place the sprinkler system in service.
4. Follow directions on the water-flow detector switch for electrical connections.

Caution:

Automatic sprinkler systems having non-fire protection connection (permitting continual water flow) require dielectric fittings, according to NFPA 13 sect. 4-6, when dissimilar metal piping materials are joined.

Ordering Information:

Specify

1. Model MP 1" (25mm) Residential Riser.
2. NPT (P/N 6501200120) or Metric (P/N 6501200121) Threads for Inlet and Outlet.
3. Support Bracket Kit (P/N 6899190001), if required.

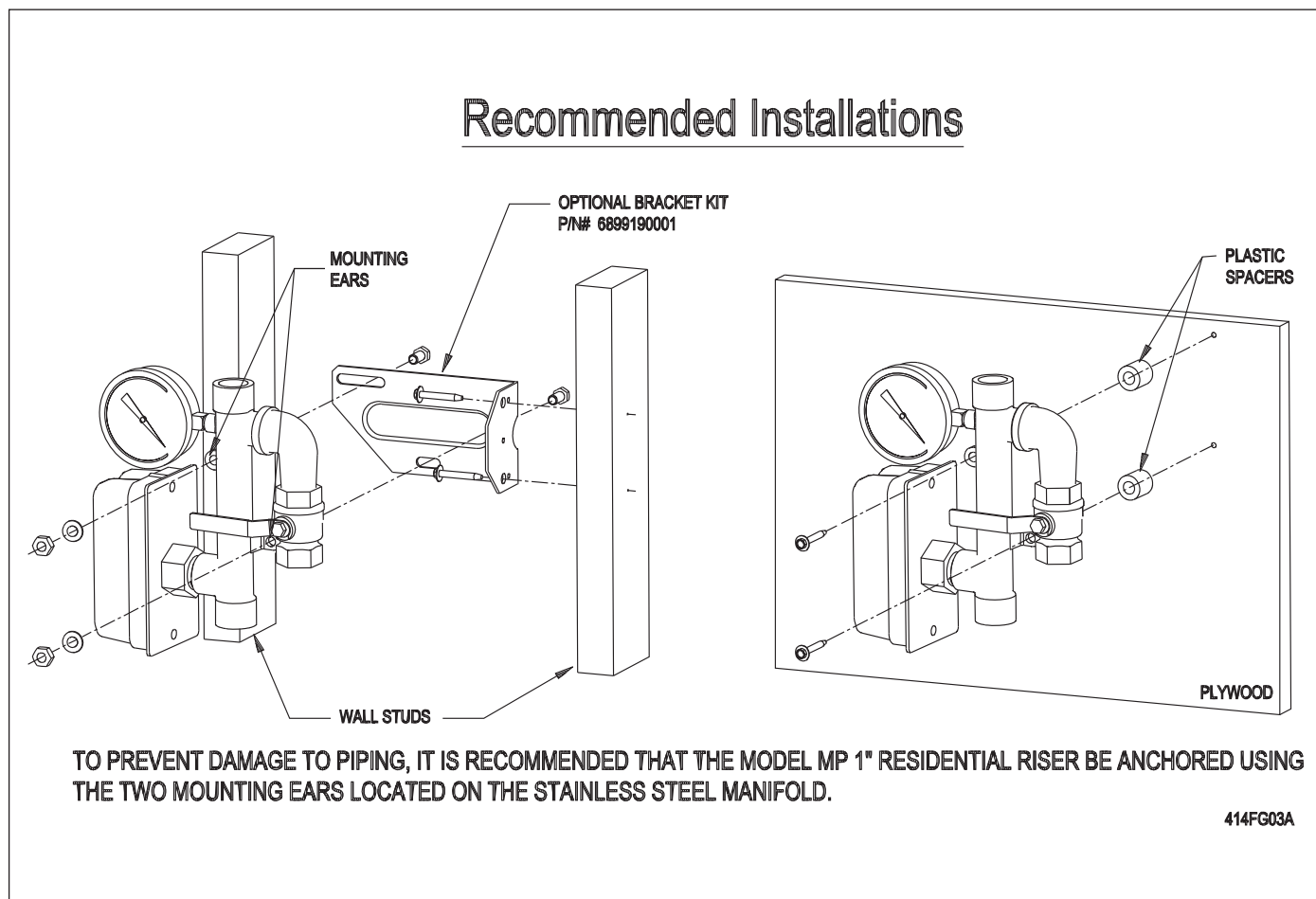


Fig. 3

The equipment presented in this bulletin is to be installed in accordance with the latest pertinent Standards of the National Fire Protection Association, Factory Mutual Research Corporation, or other similar organizations and also with the provisions of governmental codes or ordinances whenever applicable. Products manufactured and distributed by Reliable have been protecting life and property for over 80 years, and are installed and serviced by the most highly qualified and reputable sprinkler contractors located throughout the United States, Canada and foreign countries.

Manufactured by



The Reliable Automatic Sprinkler Co., Inc.

(800) 431-1588
(800) 848-6051
(914) 829-2042
www.reliablesprinkler.com

Sales Offices
Sales Fax
Corporate Offices
Internet Address



Revision lines indicate updated or new data
E.G. Printed in USA 08/08 P/N999970242