



## Sprinkler Guards

- Model C
- Model D

### Model C Sprinkler Guards

Model C Series sprinkler guards are designed to be assembled onto installed sprinklers. They are constructed of heavy gauge wire welded to steel mounting plates and finished with zinc plating. Other finishes are available. Guards protect automatic sprinklers in locations where they are subject to physical damage. Refer to guard selection table for listing and approval information regarding specific sprinkler and guard combinations.

All Model C guards are certified by FM Approvals. Models C-2 and C-3 also have cULus Listings.

- **Model C-1**

Model C-1 guards are used with pendent, upright, horizontal sidewall and vertical sidewall sprinklers.

- **Model C-2**

Model C-2 guards are used with pendent dry sprinklers.

- **Model C-3**

Model C-3 guards have a water shield attached. When assembled to an upright sprinkler, the combination is for upright intermediate sprinkler applications.

- **Model C-5**

Model C-5 guards are supplied with a water shield and O-Ring which are assembled to the sprinkler before the sprinkler is installed. The guard is then installed to the sprinkler after it is installed in the fitting.

### Model D Sprinkler Guards

The Model D Series sprinkler guards are supplied as kits to be assembled to the sprinkler at the job site before sprinkler installation. The kit consists of the guard, 1/2" and 3/4" locknuts and a water shield when being used as an intermediate level sprinkler. The pendent intermediate has an O-Ring supplied.

Each guard type is fabricated of heavy gauge wire welded to steel mounting plates and complies with the latest UL standards. Guards protect automatic sprinklers in locations where physical damage can occur.

Model D Series guards are also available factory assembled on the sprinkler ready for immediate sprinkler/guard installation. Consult factory for availability.



Model D1 Sprinkler Guard

- **Model D-1**

Model D-1 guards can be assembled to pendent, upright and horizontal sidewall sprinklers.

- **Model D-3 and D-6**

Model D-3 and D-6 guards have a water shield attached and are assembled to upright sprinklers. The sprinkler guard assembly is for upright intermediate level sprinkler applications.

- **Model D-4 and D-5**

Model D-4 and D-5 guards are D-1 guards supplied with an original water shield which is threaded on (1/2") or passed over (3/4") the sprinkler inlet thread. The combination forms a pendent intermediate level sprinkler.

Guards and water shields are finished with zinc plating. Other finishes are available upon request.

All Model D Guards are cULus Listed. Refer to guard selection table for listing and approval information regarding specific sprinkler and guard combinations.

#### Patents:

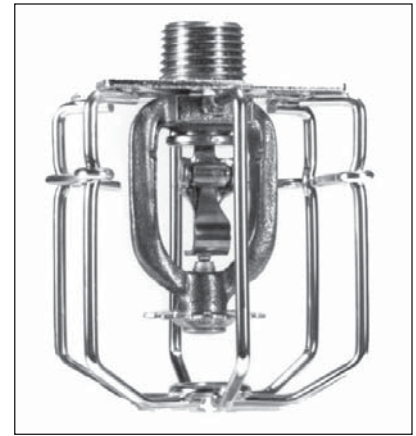
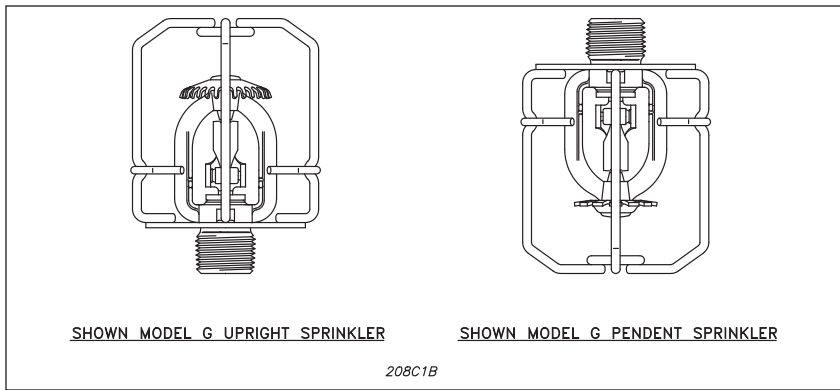
**USA Patent Number 5,893,418**

**Applies to Model D Series Guards**

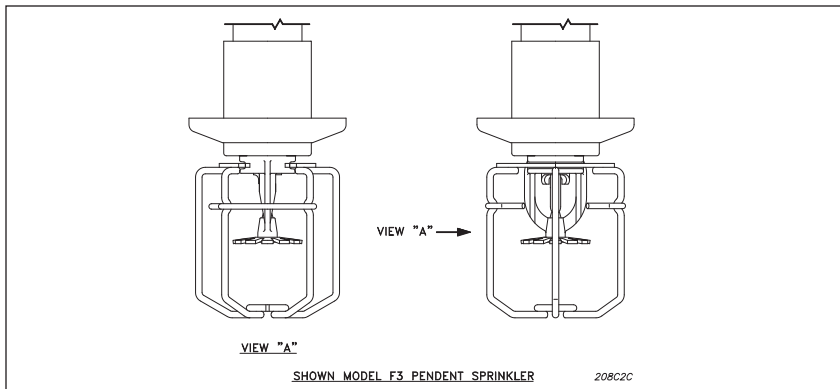
#### Listings & Approvals

1. Listed by Underwriters Laboratories, Inc. and UL certified for Canada (cULus)
  2. Certified by FM Approvals
  3. NYC MEA 258-93-E
  4. Scientific Services Laboratories (SSL, Australia)\*
- \* For Models C1, C2, C3 guards.

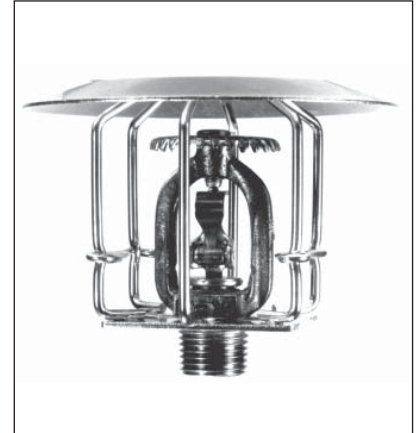
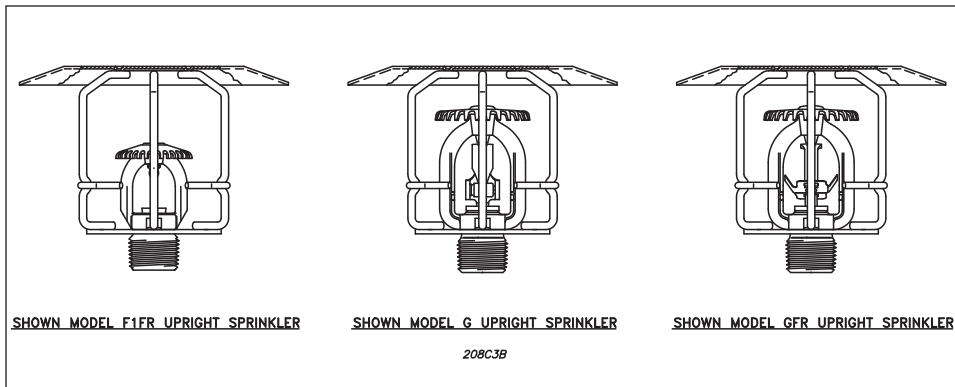
Model C-1 Guards



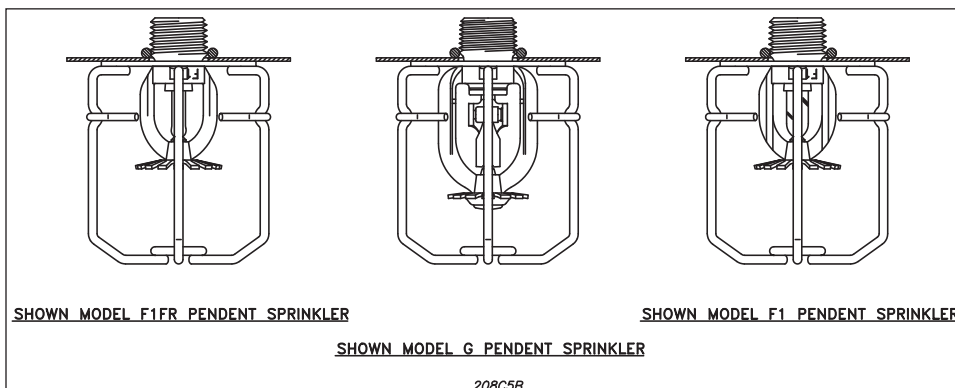
Model C-2 Guards



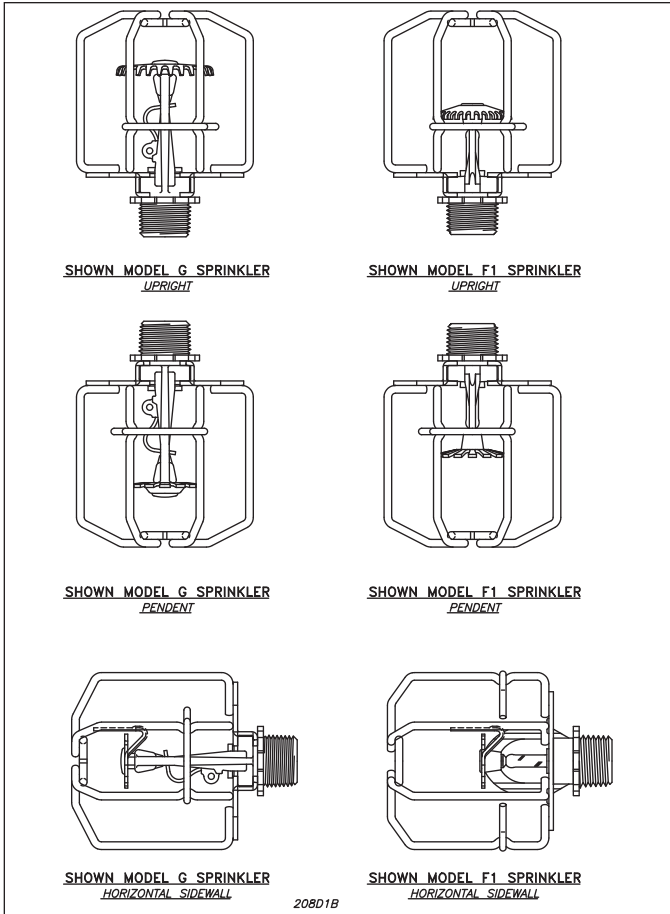
Model C-3 Guards



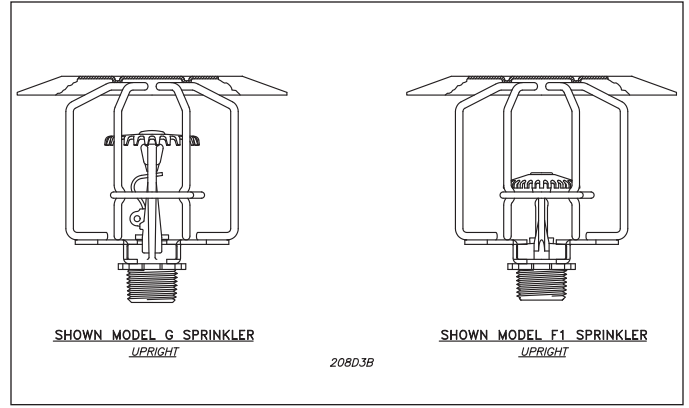
Model C-5 Guards



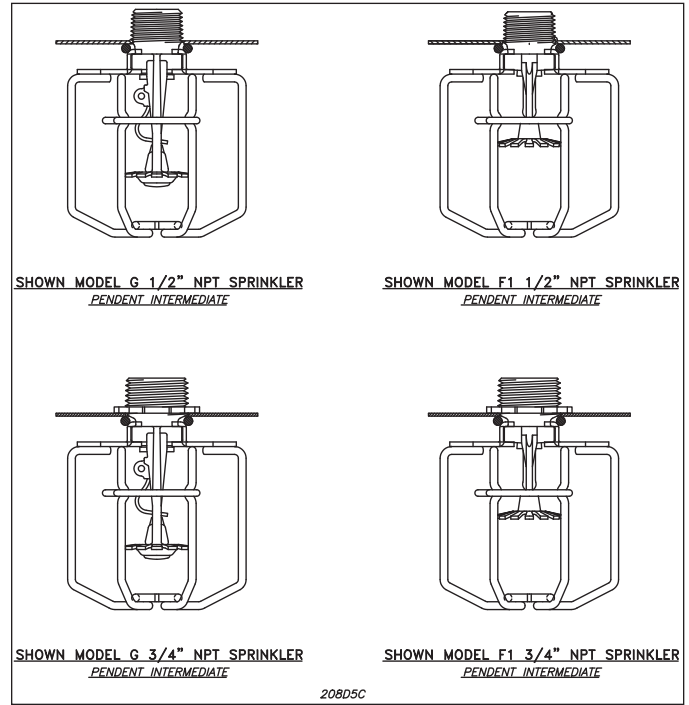
Model D-1 Guards



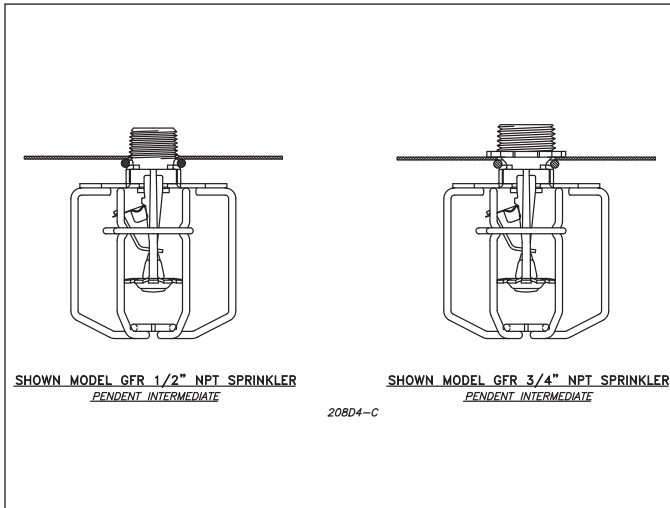
Model D-3 Guards



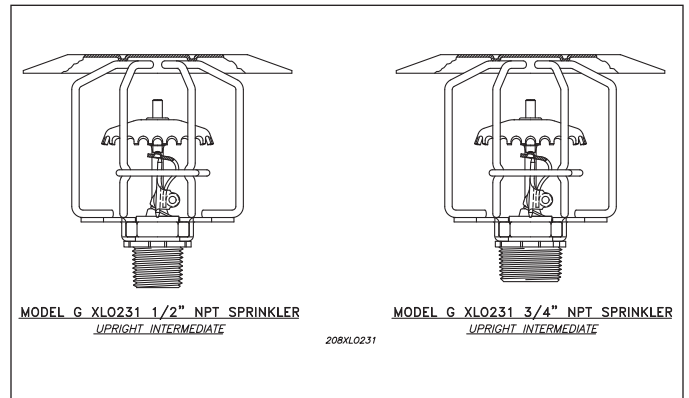
Model D-5 Guards



Model D-4 Guards



Model D-6 Guards



Guards are approved to be used with sprinklers listed below.

Guard Model <sup>(3)</sup>	Sprinkler Model Application	Sprinkler Type	Orifice Sizes	Approvals with SIN Number	
				MEA <sup>(1)</sup> , SSL <sup>(2)</sup>	
				cULus	FM <sup>(3)</sup>
D-1	G, GFR, F1, F1FR, F156, F1FR56	Pendent, Upright, HSW	3/8", 7/16", 1/2", 17/32"	R3611, R3613, R3615, R3612, R3621, R3623, R3625, R3622, R3111, R3113, R3115, R3117, R3121, R3123, R3125, R3127, R3635, R3131, R3133, R3135, R3137, R1711, R1713, R1715, R1712, R1721, R1723, R1725, R1722, R1735, R1011, R1013, R1015, R1016, R1017, R1021, R1023, R1025, R1026, R1027, R1231, R1233, R1235, R1236, R1237, RA1314, RA1414, RA1325, RA1425	RA1314, RA1414
D-3	G, GFR, F1, F1FR, F156, F1FR56	Upright Intermediate	1/2", 17/32"	R3625, R3622, R3125, R3127, R1725, R1722, R1025, R1026, R1027, RA1325, RA1425	
D-4	G, GFR, F1, F1FR	Pendent Intermediate (Large Shield)	1/2", 17/32"	R3115, R3117	
D-5	G, F1, F1FR, F156, F1FR56	Pendent Intermediate (Small Shield)	1/2", 17/32"	R3615, R3612, R1715, R1712, R1015, R1016, R1017, RA1314, RA1414	
D-6	G XLO	Upright Intermediate	0.64	R2921	
C-1	G, F1, F1FR, F156, F1FR56	Pendent, Upright, HSW, Vertical Sidewall, Upright & Pendent	3/8", 1/2", 17/32"		R1011, R1015, R1016, R1017, R1021, R1025, R1026, R1027, R1235, R1285, R1712, R1715, R1721, R1725, R1735, R1785, R3612, R3615, R3622, R3625, R3635, R3685, RA1314, RA1414, RA1325, RA1425
C-2	F3, F3QR	Pendent	1/2"	R1616, R5314, R5714, R4216	R5314, R5714
C-3	G, GFR, F1, F1FR, F156, F1FR56	Upright Intermediate	1/2", 17/32"	R3625, R3622, R3125, R3127, R1725, R1722, R1025, R1026, R1027, RA1325, RA1425	R3625, R1725, R1025, R1027, RA1325, RA1425
C-5	G, F1, F1FR, F156, F1FR56	Pendent Intermediate	1/2", 17/32"		R1015, R1017, R3615, R1715, R1712, R3612, RA1325, RA1425

<sup>(1)</sup> MEA approval on D-1, D-3, D-4, D-5, C-2, and C-3

<sup>(2)</sup> SSL approval on C-1, C-2, and C-3

<sup>(3)</sup> Model GFR does not have FM Approval.

<sup>(4)</sup> Sprinkler guards are listed and approved only for use with specific sprinklers. The use of any other guards on these sprinklers may impede their operation or distribution and negate all approvals and warranties.

## Overall Cage Size:

Models C-1, C-2, C-5

2<sup>7</sup>/<sub>8</sub>" (73mm) High X 2<sup>3</sup>/<sub>4</sub>" (70mm) Diameter

Models C-3, D-3, D-6

2<sup>3</sup>/<sub>4</sub>" (70mm) High X 4<sup>1</sup>/<sub>2</sub>" (114mm) Diameter

Models D-1, D-5

2<sup>5</sup>/<sub>8</sub>" (67mm) High X 3" (76mm) Diameter

## Installation Instructions

### • Model C Guards

With both cups unhooked, slightly spread open the guard. Insert steel plate into the installed sprinkler between the threads and the wrench flats. The steel plate tabs should face the sprinkler wrench flats and four contact points engage the sprinkler neck.

For Model C-2, the steel plate fits into the groove in each wrench flat and the guard is located by the notch in both steel plates.

Snap the upper locking clip into place, then close the near clip. The guard is now securely installed in place. If locking clip requires too much force to snap closed or open, slightly flex the wires on both sides of the clip and either close or open the clip.

### • Model D Guards

#### Model D1

Assemble the guard on the sprinklers using the following technique.

With both cups unhooked, slightly spread open the guard. Insert steel plate into the installed sprinkler between the threads and the wrench flats. The steel plate tabs should face the sprinkler wrench flats and four contact points should engage the sprinkler neck.

Snap the upper locking clip (steel plates) into place. Close the lower clip at the top of the guard and slide it down to the notch. The guard is more securely installed.

Install the lock nut on to the NPT threads until the nut is securely against the guard.

### Model D-3, D4, D5 & D6

Before a sprinkler is installed into a fitting, assemble the guard on the sprinkler using the same technique described above for the Model C Guards. Then install a 1/2" or 3/4" locking nut on to the NPT threads until the nut is tight against the guard. Each guard is supplied with both size of locking nuts.

**The assembly of sprinkler and guard is then wrenched into place using an adjustable wrench maximum size 8" and a jaw opening of 11/8" (for D-1, D-3, D-4 or D-5) or an adjustable wrench maximum size 10" and a jaw opening of 15/16" (for D-6).**

**Wrench must be placed over the guard. Do not use the wrench directly on the sprinkler wrench boss. The sprinkler wrench boss requires a special wrench.**

## Finish

Standard Finish—Zinc with chromate dip.

Other finishes, quoted on request.

## Ordering Information

- Guard Type (D-1, D-2 etc.)
- Finish (Standard or other)
- Sprinkler Inlet Thread Size, D-4 & D-5 Guards Only.
- Optional: Consult Factory for assembly on sprinkler.
  - Specify Sprinkler:
    - Type.
    - Temperature Rating.
    - Finish.
- Wrench: Not supplied by Reliable

# Reliable...For Complete Protection

Reliable offers a wide selection of sprinkler components. Following are some of the many precision-made Reliable products that guard life and property from fire around the clock.

- Automatic sprinklers
- Flush automatic sprinklers
- Recessed automatic sprinklers
- Concealed automatic sprinklers
- Adjustable automatic sprinklers
- Dry automatic sprinklers
- Intermediate level sprinklers
- Open sprinklers
- Spray nozzles
- Alarm valves
- Retarding chambers
- Dry pipe valves
- Accelerators for dry pipe valves
- Mechanical sprinkler alarms
- Electrical sprinkler alarm switches
- Water flow detectors
- Deluge valves
- Detector check valves
- Check valves
- Electrical system
- Sprinkler emergency cabinets
- Sprinkler wrenches
- Sprinkler escutcheons and guards
- Inspectors test connections
- Sight drains
- Ball drips and drum drips
- Control valve seals
- Air maintenance devices
- Air compressors
- Pressure gauges/identification signs
- Fire department connection

---

The equipment presented in this bulletin is to be installed in accordance with the latest published Standards of the National Fire Protection Association, Factory Mutual Research Corporation, or other similar organizations and also with the provisions of governmental codes or ordinances whenever applicable. Products manufactured and distributed by Reliable have been protecting life and property for over 80 years, and are installed and serviced by the most highly qualified and reputable sprinkler contractors located throughout the United States, Canada and foreign countries.

Manufactured by

**Reliable**<sup>®</sup>

The Reliable Automatic Sprinkler Co., Inc.  
(800) 431-1588 Sales Offices  
(800) 848-6051 Sales Fax  
(914) 829-2042 Corporate Offices  
www.reliablesprinkler.com Internet Address



Revision lines indicate updated or new data.

EG. Printed in U.S.A 11/09 P/N 9999970152