

Reliable®

The Concealer^{Plus}

11.2 K Factor

16ft x 16ft (4.9m x 4.9m)

18ft x 18ft (5.5m x 5.5m) &

20ft x 20ft (6.1m x 6.1m) Coverage
Quick Response Sprinkler

Model G4 XLO QREC

**Quick Response, Extended Coverage
Concealed Sprinkler (SIN R4441) with a
1/2" (13mm) or 1 1/2" (38mm) adjustment.**

Features:

1. Quick Response (QREC)
16ft x 16ft (4.9m x 4.9m)
18ft x 18ft (5.5m x 5.5m) and
20 ft x 20 ft (6.1 m x 6.1 m) coverage for
light hazard occupancies.
1. Cover plate (Plain or Perforated) with 1/2"
(13mm) assembly adjustment.
3. Smooth aesthetic ceiling profile.
4. Factory installed protective cap.
5. Available with cover plates painted
white or other colors; or brass, chrome
or black plated finishes.
6. 165°F temperature rating.
7. Threaded cover plate does not require clips
or springs.
8. Available in an adjustable design with a 1"
adjustment plus 1/2" cover plate adjustment,
1 1/2" total.

US Patent No. 6,082,463

Listings & Approvals

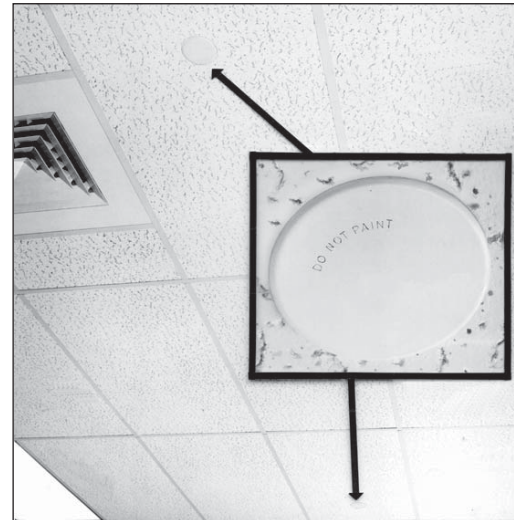
1. Listed by Underwriters Laboratories, Inc.
and certified by UL for Canada (cULus).
2. NYC MEA 258-93-E
Note: Approvals are Light Hazard only.

UL Listing Categories

Sprinklers, Automatic & Open
Quick Response Extended Coverage Sprinkler

Application

Model G4 XLO QREC is the most versatile extended coverage sprinkler available. The Model G4 XLO QREC Concealer^{Plus} provides the best form of fire protection for light hazard occupancies by offering attractive appearance and 1/2" (13mm) of cover adjustment for ease of installation. The small diameter Push-on/Thread-off cover plate assembly is easily and positively attached and blended



into the ceiling, concealing the most dependable fire protection available, an automatic sprinkler system.

The Concealer^{Plus} is designed for use where aesthetic appearance is important. Offices, hospitals, and restaurants are but a few of the applications where it can be used.

The Model G4 XLO QREC Concealer^{Plus} sprinklers are for use in accordance with NFPA 13 for light hazard occupancies.

The Concealer^{Plus} can eliminate the need for precise cutting of drop nipples. The Push-on/Thread-off cover plate assembly can be adjusted without tools to fit accurately against the ceiling. The fire protection system need not be shut down when adjusting or removing the Push-on/Thread-off cover plate assembly.

Product Description

The Concealer^{Plus} uses a 165°F levered fusible alloy solder link in an extra large orifice sprinkler frame with a drop-down deflector. This assembly is recessed into the ceiling and concealed by a flat Push-on/Thread-off cover plate assembly. The Push-on/Thread-off cover plate and sprinkler cup assemblies are held tight by a flexible tooth engagement to the threaded cup. This threaded engagement provides 1/2" (13mm) of cover adjustment. The flat cover plate is attached to the skirt using 135°F (56°C) ordinary temperature classification solder, forming the Push-on/Thread-off cover plate assembly. When the ceiling temperature rises, the solder holding the cover plate to skirt melts, the cover plate released thus exposing the sprinkler inside to the rising ambient temperature.

The separation of the soldered element opens the waterway and causes the deflector to drop into position for distributing the water. Any secure engagement between the cover plate and cup will assure that the drop-down deflector is properly located below the ceiling.

The Reliable Automatic Sprinkler Co., Inc., 103 Fairview Park Drive, Elmsford, New York 10523

Installation

Do not install the Concealer^{Plus} in ceilings which have positive pressure in the space above. After installation, inspect all sprinklers to ensure that both the gap between the cover plate and ceiling and the 4 slots in the cup are open and free from any air flow impediment.

After a 2⁵/₈" diameter hole is cut in the ceiling, the sprinkler is to be installed with the Model XLO EC Wrench. When installing a sprinkler, the wrench is first positioned into the sprinkler/cup assembly until two wrench tangs fully engage drive slots in the top of the cup. The sprinkler is then tightened into the pipe fitting. When inserting or removing the wrench from the sprinkler/cup assembly care should be taken to prevent damage to the sprinkler. DO NOT WRENCH ON ANY OTHER PART OF THE SPRINKLER/CUP ASSEMBLY.

A protective cap is provided to protect the drop down deflector from damage which could occur during construction before the cover plate is installed. The cap is factory installed inside the sprinkler cup. Remove cap to install sprinkler, then replace cap until cover plate is installed.

The adjustable inlet version is similar to the standard Model G4 XLO QREC except that an addition 1" (25mm) of adjustment is provided by means of a telescoping inlet section that threads in or out of a stationary coupling reducer (male) as shown in Fig. 2. These sprinklers must be installed before the ceiling is in place, by wrenching on only the coupling reducer hex flats. After the ceiling has been installed with holes for the sprinkler, each telescoping inlet section is to be adjusted with the XLO EC Wrench. Install the cover plate assembly by hand turning it clockwise until it is tight against the ceiling.

THE MODEL G4 XLO QREC CONCEALER MUST BE INSTALLED ONLY WITH A 135°F RATED COVER WHICH HAS BEEN LISTED WITH THE SPRINKLER.

Standard Temperatures

Classification	Sprinkler	Cover Plate	Max. Ceiling Temperature
Ordinary	165°F/74°C	135°F/57°C	100°F/38°C

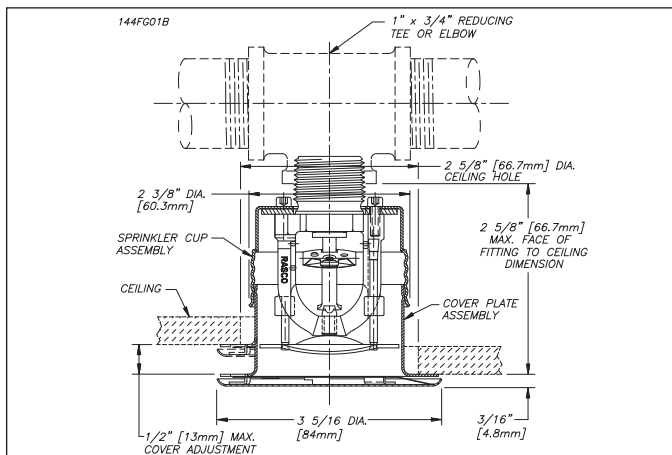


Fig. 1 - 3/4" NPT Non - Adjustable Inlet

COVERAGE AREA		
Flow Rate gpm (Lpm)	Pressure psi (bar)	Coverage ft. x ft. (m x m)*
	Nominal K = 11.2 (160)	
30 (113,5)	7.2 (0,49)	16 x 16 (4,9 x 4,9)
33 (125,0)	8.7 (0,60)	18 x 18 (5,5 x 5,5)
40 (151,0)	12.8 (0,88)	20 x 20 (6,1 x 6,1)

*Quick Response (QREC) Listed.

Sprinkler Identification Number (SIN): R4441

Installation Wrench

Model XLO EC

Ordering Information

Specify

1. Sprinkler Model
2. Cover Plate Finish

Cover Plate Finishes⁽¹⁾

Standard Finishes
Chrome
White Paint
Special Application Finishes ⁽²⁾
Bright Brass
Finished Bronze
Black Plating
Black Paint
Off White
Satin Chrome

⁽¹⁾ Other finishes and colors are available on special order. Consult factory for details. Coverplate custom paint is semi-gloss, unless specified otherwise.

⁽²⁾ For the perforated style coverplate, consult factory for availability on these and other custom finishes.

Note: Paint or any other coatings applied over the factory finish will void all approvals and warranties.

Installation

- Sprinklers and push-on/thread-off cover plate assemblies are packaged separately.
- A plastic cap is provided for protecting the sprinkler during construction.
- Minimum sprinkler spacing is 9 ft.

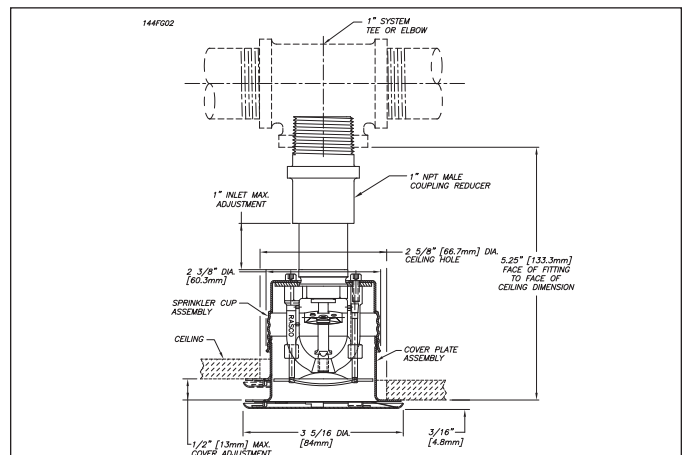


Fig. 2 - 1" NPT Male - Adjustable Inlet

The equipment presented in this bulletin is to be installed in accordance with the latest published Standards of the National Fire Protection Association, Factory Mutual Research Corporation, or other similar organizations and also with the provisions of governmental codes or ordinances whenever applicable.

Products manufactured and distributed by Reliable have been protecting life and property for over 90 years, and are installed and serviced by the most highly qualified and reputable sprinkler contractors located throughout the United States, Canada and foreign countries.

Manufactured by



The Reliable Automatic Sprinkler Co., Inc.
 (800) 431-1588 Sales Offices
 (800) 848-6051 Sales Fax
 (914) 829-2042 Corporate Offices
 www.reliablesprinkler.com Internet Address



Revision lines indicate updated or new data.