

Reliable®

Model G4, G4FR, G4-300, G4A and G4A-300 "Sealing" Concealed Automatic Sprinklers

The Concealer®

A Concealed Sprinkler with a 1/2" (13mm) or 1 1/2" (38mm) Adjustment and a Dust Tight Seal

Features

1. Gasket Seal may be assembled to a G4 coverplate for dust free environments.
2. A Total adjustment of 1/2" (13mm) provided by standard inlet version.
3. A Total adjustment of 1 1/2" (38mm) provided by adjustable inlet versions.
4. Adjustable inlet version available with either 1" NPT male or female threads eliminating costly reducing couplings.
5. White "Sealing" Concealer Gasket is Listed with G4 Coverplate available in white paint or chrome. Other finishes and colors are available. Consult with factory.
6. Ordinary and intermediate temperature rating available.
7. Multiple orifices for design flexibility.
8. The cover plate does not require clips or springs.
9. 300 psi (20,7 bar) maximum pressure rating with Model G4-300 and G4A-300 sprinklers.

Approvals & Listings

1. Underwriters Laboratories, Inc. (UL)
2. Underwriters Laboratories of Canada (ULC)
3. NYC MEA 258-93-E

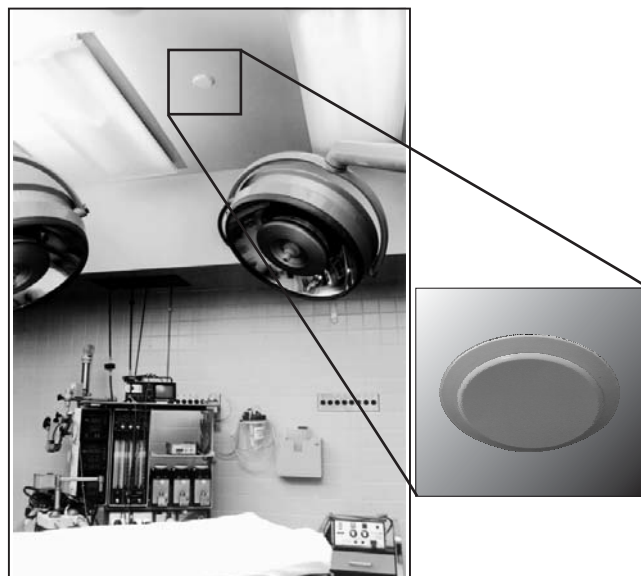
Note: Approvals are for light and ordinary hazard, except for small orifice sprinkler which are limited to light hazard occupancies. The cup and skirt are fabricated from plated steel and are intended for interior non-corrosive applications

US. Patent No. 4,880,063.



Applications

The Concealer® with seal provides fire protection for dust free environments while offering an attractive appearance and 1/2" (13mm) adjustment for easy installation. The adjust-



able 1" NPT inlet versions have 1 1/2" (38mm) of total adjustment and also eliminate the need for a reducing coupling (Refer to Figs. 2 and 3). The small diameter gasketed cover plate assembly is easily and positively attached and blends into the ceiling, concealing the most dependable fire protection available, an automatic sprinkler system.

The Concealer® with a gasketed cover plate assembly is designed solely for use in dust free environments such as a clean room. The "Sealing" Concealer is Listed with sprinklers available in different orifice sizes allowing the designer to optimize system performance, thereby achieving a most efficient installation.

The Concealer® can eliminate the need for precise cutting of drop nipples. The gasketed cover plate assembly can be adjusted without tools to fit accurately on the ceiling. The fire protection system need not be shut down to adjust or remove the gasketed cover plate assembly.

The Models G4, G4-300, G4FR, G4A and G4A-300 "Sealing" Concealer are standard response sprinklers. The G4FR, G4A and G4A-300 are not listed as quick response when the seal is used.

Product Description

Models G4, G4-300, G4FR, G4A and G4A-300 "Sealing" Concealer use proven fusible elements in a standard style sprinkler frame with a drop-down deflector. This assembly is recessed into the ceiling and concealed by a flat gasketed cover plate. This threaded engagement provides 1/2" (13mm) of cover adjustment to the threaded cup. The flat cover plate is attached to the skirt using the same ordinary temperature classification solder that is used in sprinklers. This results in ordinary temperature rated cover plates concealing either ordinary temperature sprinklers or intermediate temperature sprinklers which can be installed in 150°F environments. When the ceiling temperature rises, the solder holding the flat cover plate fuses and the cover plate is released, exposing the sprinkler inside the cup to the rising ambient temperature.

The subsequent fusing of the solder element in the sprinkler opens the waterway and causes the deflector to drop into position to distribute the discharging water. Any secure engagement between the gasket cover plate and cup will assure that the drop-down deflector is properly located below the ceiling.

Gasket, sprinkler and coverplate are sold seperately.

Installation

Do not install The Concealer® in ceilings which have positive pressure in the space above.

- Cut a 2 5/8" (67mm) diameter hole in the ceiling, and install the non-adjustable inlet sprinkler with the Model G4 Wrench. The wrench has drive tangs which insert into cup slots. When installing a sprinkler, the wrench is first positioned into the sprinkler/cup assembly until the wrench tangs engage drive slots in the top of the cup (there are two sets of mating drive slots in the cup). The sprinkler is then tightened into the pipe fitting. When inserting or removing the wrench from the sprinkler/cup assembly, care should be taken to prevent damage to the sprinkler. **DO NOT WRENCH ON ANY OTHER PART OF THE SPRINKLER/CUP ASSEMBLY.** Wherever seal is needed, attach the "Sealing" Concealed gasket over the Coverplate.

The adjustable inlet versions are similar to The Concealer® described above except that an additional 1" adjustment is provided by means of a telescoping inlet section that threads in or out of a stationary coupling reducer [either 1" (25mm) male or female] as shown in Figures 2 or 3. These sprinklers must be installed before the ceiling is in place by wrenching on only the coupling reducer hex flats. After the ceiling has

been installed the telescoping inlet section is to be adjusted with the G4 Wrench. Install the cover plate assembly by turning it clockwise until tight against the ceiling.

- If required to reassemble the gasket to the cover plate, do not glue the gasket into place or allow the gasket to overlap both the cover plate and flange of the skirt.
- The gasket and cover plate of the "Sealing" sprinklers are not to be interchanged with other models of concealed sprinklers.
- Paint or any other coating over the factory finish on cover plates will void all approvals and warranties.

Ordering Information

1. Sprinkler Model
2. Temperature Rating
3. Nominal Orifice
4. Inlet Type
5. Cover Plate Assembly Finish
6. Gasket

Cover Plate Finishes⁽¹⁾

Standard Finishes

Chrome
White Paint

⁽¹⁾ Other Finishes and colors are available on special orders. Consult factory for detail.

Gasket Color

- White only



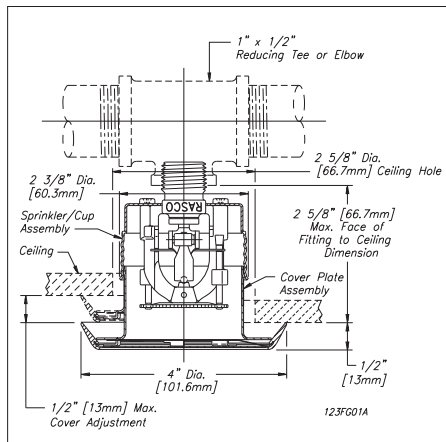
Model G4 Wrench

Standard Temperatures

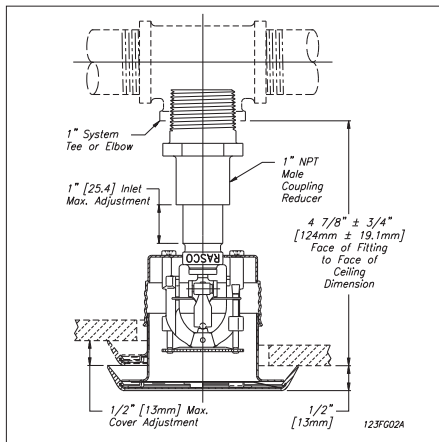
Model	Classification	Sprinkler	Cover Plate	Max. Ceiling Temp.
G4, G4-300	Ordinary	135°F/57°C	135°F/57°C	100°F/38°C
G4, G4-300, G4A, G4A-300 and G4FR	Ordinary	165°F/74°C	135°F/57°C	100°F/38°C
G4, G4-300, G4A, G4A-300 and G4FR	Intermediate	212°F/100°C	165°F/74°C	150°F/66°C

Technical Installation Data

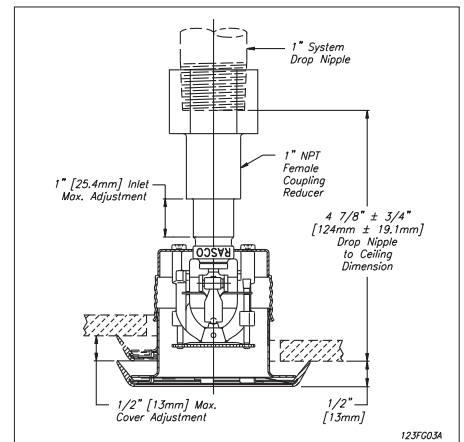
Model	Sprinkler Inlet	Total Adjustment	Nominal Orifice	Nominal K Factor		Thread	Sprinkler Identification Number (SIN)				
				US	Metric		G4	G4-300	G4FR	G4A	G4A-300
G4, G4-300, G4A, G4A-300 and G4FR	Non-Adjustment	1/2" (13mm)	1/2" (15mm)	5.6	80	1/2" NPT (R1/2)	R2115	R6115	R2215	R5415	R6215
	Adjustment	1 1/2" (38mm)	3/8" (10mm)	2.8	40	1/2" NPT (R1/2)	R2111	R6118	R2211	R5411	R6218
Adjustment	1 1/2" (38mm)	7/16" (11mm)	5.6	80	1" NPT Male or Female	R2118	R2218		R5418	R6218	
Adjustment	1 1/2" (38mm)	7/16" (11mm)	4.2	60	1" NPT Male or Female	R2113	R2213	R5413	R6218		
Adjustment	1 1/2" (38mm)	3/8" (10mm)	2.8	40	1" NPT Male or Female	R2112	R2212	R5412		R6218	



1/2" NPT (R1/2) Non Adjustable Inlet
* Figure 1



1" NPT Male - Adjustable Inlet
* Figure 2



1" NPT Female - Adjustable Inlet
* Figure 3

*Illustration shows Model G4; use the same dimensional configuration for the Model G4FR and G4A

The equipment presented in this bulletin is to be installed in accordance with the latest pertinent Standards of the National Fire Protection Associations, Factory Mutual Research Corporation, or other similar organizations and also with the provisions of governmental codes or ordinances whenever applicable. Products manufactured and distributed by Reliable have been protecting life and property for over 80 years, and are installed and serviced by the most highly qualified an reputable sprinkler contractors located throughout the United States, Canada and foreign countries

Manufactured by



The Reliable Automatic Sprinkler Co., Inc.
800.431.1588 Sales Offices
800.848.6051 Sales Fax
914.829.2042 Corporate Offices
www.reliablesprinkler.com Internet Address

Recycled Paper



Revision lines indicate updated or new data.
E.G. Printed in USA 03/09 P/N9999970016