

Reliable®

Model G4FR Concealed Automatic Sprinkler

The Concealer® A Concealed Sprinkler With a ½" (13mm) or 1½" (38mm) Adjustment

Features

1. Cover plate assembly with ½" (13mm) adjustment.
2. Smooth aesthetic ceiling profile.
3. As heat sensitive as an exposed sprinkler.
4. Available in brass, chrome or black plated or white painted finishes.
5. Ordinary temperature rating.
6. Multiple orifices for design flexibility.
7. Installation does not require clips or springs.

Listings & Approvals

1. Underwriters Laboratories, Inc. (UL)
2. Underwriters' Laboratories of Canada. (ULC)
3. N.Y.C. BS&A No. 587-75-SA
4. Factory Mutual Corporation (FM)
 - Light Hazard Occupancies
 - Ordinary Hazard Occupancies—
Groups 1 & 2, Wet Systems Only

Note: Approvals are for ordinary hazard except for small orifice sprinklers, which are limited to light hazard. The cup and skirt are fabricated from plated steel and are intended for interior, non-corrosive applications. Small orifice sprinklers are limited to light hazard occupancies.

U.S. Patent No. 4,880,063

Application

The Reliable Model G4FR Concealer is the most versatile concealed sprinkler available. It provides the best form of fire protection while offering an attractive appearance and ½" (13mm) of cover adjustment for ease of installation. The small diameter cover plate assembly is easily and positively attached and blends into the ceiling, concealing the most dependable fire protection available, an automatic sprinkler system.



The Concealer® is designed for use where aesthetic appearance is important. Offices, hospitals, motels and restaurants are but a few of the applications where it can be used. It is available in different orifice sizes allowing the designer to optimize system performance, thereby achieving a very efficient installation.

The Concealer® can eliminate the need for precise cutting of drop nipples. The cover plate assembly can be adjusted without tools to fit accurately against the ceiling. The fire protection system need not be shut down to adjust or remove the cover plate assembly.

Product Description

The Reliable Model G4FR Standard Response Concealer uses a proven fast response fusible element in a standard style sprinkler frame with a drop-down deflector. This assembly is recessed into the ceiling and concealed by a flat cover plate assembly. This threaded engagement provides ½" (13mm) of cover adjustment. The flat cover plate is attached to the skirt using either 135°F (56°C) or 165°F (74°C) ordinary temperature classification solder.

When the ceiling temperature rises, the solder holding the cover plate to skirt melts, the cover plate released thus exposing the sprinkler inside to the rising ambient temperature.

The subsequent fusing of the element opens the waterway and causes the deflector to drop into position for distributing the water. Any secure engagement between the cover plate and cup will assure that the drop-down deflector is properly located below the ceiling.

The Reliable Automatic Sprinkler Co., Inc., 103 Fairview Park Drive, Elmsford, New York 10523

Installation

Do not install The Concealer® in ceilings which have positive pressure in the space above.

After a 2⁵/₈ inch diameter hole is cut in the ceiling, the sprinkler is easily installed with the Model G4 Wrench. The wrench has drive tangs which insert into the cup slots. When installing a sprinkler the wrench is first positioned into the sprinkler/cup assembly until the wrench tangs engage the drive slots in the top of the cup (there are two sets of drive slots in the cup). The sprinkler is then tightened into the pipe fitting. When inserting or removing the wrench from the sprinkler/cup assembly care should be taken to prevent damage to the sprinkler. DO NOT WRENCH ON ANY OTHER PART OF THE SPRINKLER/CUP ASSEMBLY. Install the cover plate by hand turning the cover in the clockwise direction until it is tight against the ceiling.

Temperature Rating

Classification	Sprinkler	Cover Plate	Max. Ambient Temp.
Ordinary	165°F/74°C	135°F/57°C	100°F/38°C
Ordinary	212°F/100°C	165°F/74°C	150°F/66°C

Installation Data

Sprinkler Inlet	Total adjustment	Nominal Orifice	Nominal K Factor		Thread	Approvals	Sprinkler Identification Number (SIN)
			US	Metric			
Non Adjustable	1/2" (13mm)	1/2" (15mm)	5.6	80	1/2" NPT	1, 2, 3, 4	R2215
Non Adjustable	1/2" (13mm)	7/16" (12mm)	4.2	60	1/2" NPT	1, 2, 3	R2213
Non Adjustable	1/2" (13mm)	3/8" (10mm)	2.8	40	1/2" NPT	1, 2, 3, 4	R2211
Adjustable	1 1/2" (38mm)	1/2" (15mm)	5.6	80	1" NPT Male or Female	1, 2, 3, 4	R2218
Adjustable	1 1/2" (38mm)	7/16" (12mm)	4.2	60	1" NPT Male or Female	1, 2, 3	R2213
Adjustable	1 1/2" (38mm)	3/8" (10mm)	2.8	40	1" NPT Male or Female	1, 2, 3	R2212



Model G4 Sprinkler Wrench

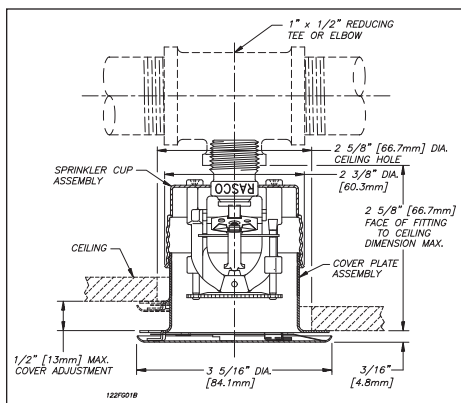


Fig. 1 - 1/2" NPT Non Adjustable Inlet

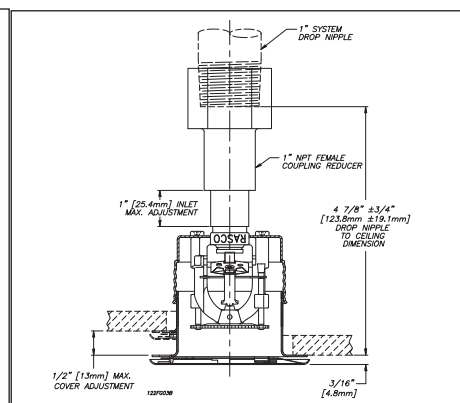


Fig. 2 - 1" NPT Male - Adjustable Inlet

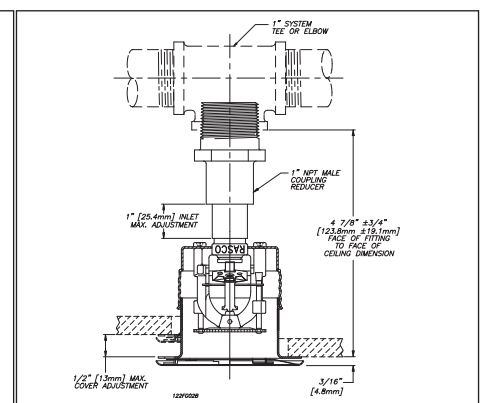


Fig. 3 - 1" NPT Female - Adjustable Inlet

The equipment presented in this bulletin is to be installed in accordance with the latest published Standards of the National Fire Protection Association, Factory Mutual Research Corporation, or other similar organizations and also with the provisions of governmental codes or ordinances whenever applicable.

Products manufactured and distributed by Reliable have been protecting life and property for over 80 years, and are installed and serviced by the most highly qualified and reputable sprinkler contractors located throughout the United States, Canada and foreign countries.

Manufactured by



The Reliable Automatic Sprinkler Co., Inc.
 (800) 431-1588 Sales Offices
 (800) 848-6051 Sales Fax
 (914) 829-2042 Corporate Offices
 www.reliablesprinkler.com Internet Address



Revision lines indicate updated or new data.

EG. Printed in U.S.A 11/09 P/N 9999970138

Ordering Information

Specify:

1. Sprinkler Model
2. Nominal Orifice
3. Flat Cover Plate Assembly Finish
4. Inlet Type

UL Listing Category

Sprinklers, Automatic and Open

UL Guide Number

VNIV

Finishes ⁽¹⁾:

Flat Cover Plate Assembly

Standard Finishes

Bronze
 Chrome
 White

Special Applications Finishes

Bright Brass
 Satin Chrome
 Black Plated
 Off-White

⁽¹⁾ Consult factory on other finishes.

Note: Paint or any other coatings applied over the factory finish will void all approvals and warranties.