

Reliable®

Model G4FR Automatic Sprinkler

Bulletin 004

The Concealer®

Features

1. 1/2" Cover Plate Adjustment
2. Simple sturdy cover attachment
3. Smooth aesthetic ceiling profile
4. Factory installed protective cap
5. Available with cover plates in brass, chrome and white painted finishes
6. 165°F (74°C) temperature rating
7. Threaded coverplate does not require clips or springs
8. U.S. Patent No. 4,880,063

Listings & Approvals

Loss Prevention Council (LPC, UK)

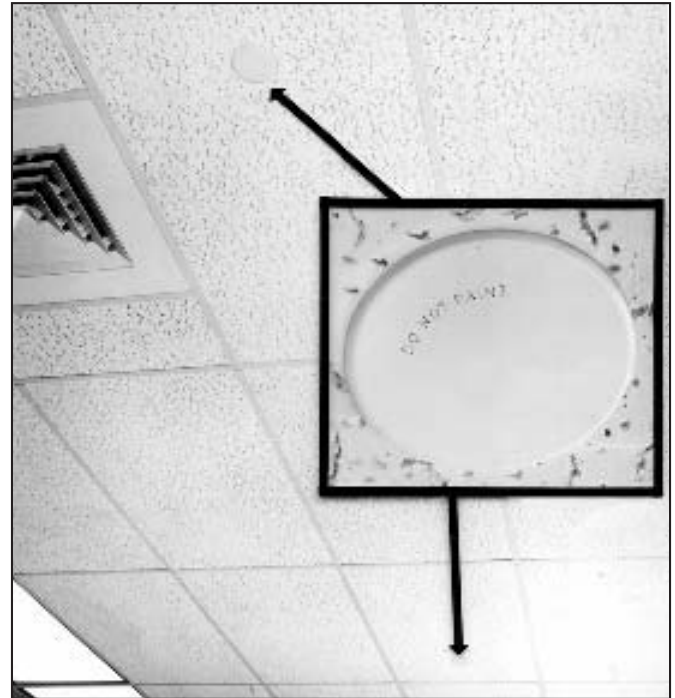
- Complies with TB20 Para 3.6 Note 1

Note: Approvals are light and ordinary hazard. The cup and skirt are fabricated from plated steel and are intended for interior non-corrosive applications.

Application

The Reliable Model G4FR Concealer® Sprinkler is the most versatile concealed sprinkler available. It provides the best form of fire protection while offering an attractive appearance and 1/2 inch of cover adjustment for ease of installation. The small diameter cover plate is easily and positively attached and blends into the ceiling, concealing the most dependable fire protection available, an automatic sprinkler system.

This concealed sprinkler is designed for use where aesthetic appearance is important. Offices, hospitals, motels and restaurants are but a few of the applications where it can be used. It is available in different orifice sizes allowing the designer to optimize system performance, thereby achieving a very efficient installation.



Concealer® Sprinklers can eliminate the need for precise cutting of drop nipples. The threaded cover plate assembly can be adjusted without tools to fit accurately against the ceiling. The fire protection system need not be shut down to adjust or remove the cover plate assembly.

Product Description

The Reliable Model G4FR Concealer® uses a fast response fusible element in a standard style sprinkler frame with a drop-down deflector. This assembly is recessed into the ceiling and concealed by a flat cover plate. The cover plate and sprinkler cup assemblies are attached using a strong threaded engagement. This threaded engagement provides 1/2" of cover adjustment. The cover plate is attached to the skirt using 135°F ordinary temperature classification solder.

When the ceiling temperature rises, the solder holding the cover plate melts, allowing the release of this part and thus exposing the sprinkler inside to the rising ambient temperature.

The subsequent fusing of the element opens the waterway and causes the deflector to distribute the water. Any secure engagement between the cover plate and cup will assure that the drop-down deflector is properly located below the ceiling.

Installation

Do not install the Concealer® in ceilings which have positive pressure in the space above.

After a 2 7/8 inch diameter hole is cut in the ceiling, the sprinkler is easily installed with the Model G4 Wrench. The wrench has drive tangs which insert into the cup slots. When installing a sprinkler the wrench is first positioned into the sprinkler/cup assembly until the wrench tangs engage the drive slots in the top of the cup (there are two sets of drive slots in the cup). The sprinkler is then tightened into the pipe fitting. When inserting or removing the wrench from the sprinkler/cup assembly care should be taken to prevent damage to the sprinkler. **DO NOT WRENCH ON ANY OTHER PART OF THE SPRINKLER/CUP ASSEMBLY.** Final adjustment of the cover is made by hand turning the cover in the clockwise direction until it is tight against the ceiling.

A protective cap is provided to protect the drop-down sprinkler deflector from damage which could occur during construction before the cover plate is installed. The cap is factory installed inside the sprinkler cup. Remove cap to install sprinkler, then re-install cap until cover plate is installed.

Standard Temperatures

Classification	Sprinkler	Cover Plate	Max. Ceiling Temp.
Ordinary	165°F/74°C	135°F/57°C	100°F/38°C

Installation Data

Total Adjustment	Nominal Orifice	K Factor		Thread
		US	Metric	
1/2" (12.7mm)	1/2" (15mm)	5.62	81.0	1/2" NPT (R 1/2)

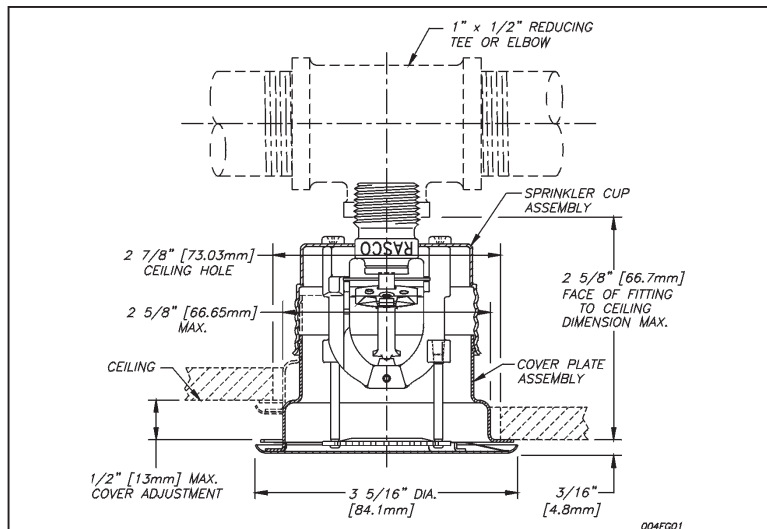


Figure 1

The equipment presented in this bulletin is to be installed in accordance with the latest published Standards of the National Fire Protection Association, Factory Mutual Research Corporation, or other similar organizations and also with the provisions of governmental codes or ordinances whenever applicable.

Products manufactured and distributed by Reliable have been protecting life and property for over 80 years, and are installed and serviced by the most highly qualified and reputable sprinkler contractors located throughout the United States, Canada and foreign countries.

Manufactured by



The Reliable Automatic Sprinkler Co., Inc.

(800) 431-1588
 (800) 848-6051
 (914) 829-2042

www.reliablesprinkler.com

Sales Offices
 Sales Fax
 Corporate Offices
 Internet Address

Ordering Information

1. Sprinkler Model
2. Nominal Orifice
3. Cover Plate Finish
4. Inlet Type

Cover Plate Finishes ⁽¹⁾

- White Paint - RAL 9010
- Bronze
- Chrome Plated

⁽¹⁾Other finishes and colors are available on special order. Consult factory for details.

Note: Paint or any other coatings applied over the factory finish will void all approvals and warranties.



Model G4 Sprinkler Wrench



Revision lines indicate updated or new data.

EG. Printed in U.S.A 2/03. P/N 9999970256