

Reliable®

Model RCD1 Grooved Reducing Coupling with Steel Ring

cULus Listed, FM Approved
300 psi (20.7 bar)

RCD1 Grooved Reducing Coupling with Steel Ring Technical Data

Operating Specifications
Maximum Working Pressure:
300 psi (20.7 bar)

Operating Temperature
-30 °F to 230 °F (-34 °C to 110 °C)

Material Specifications

Housings: ASTM A536 Grade 65-45-12 Ductile Iron
Gasket: Pre-lubricated Grade E EPDM

Design Specification:

Groove: AWWA-C606

Bolt Specification:
SAE J429 Grade 5

Available Finishes

Housing:

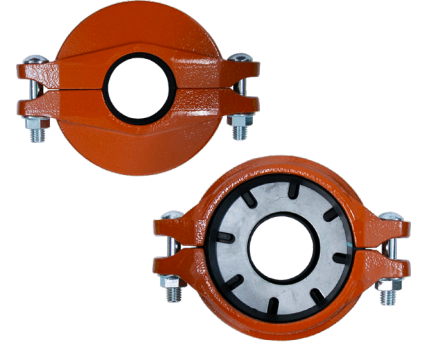
Standard orange paint
Hot dipped galvanized (ASTM A-153)

Bolts:

Zinc Electroplating

Listings and Approvals

cULus Listed
FM Approved



RCD1 Grooved Reducing Coupling with Steel Ring Dimensions

Figure 1

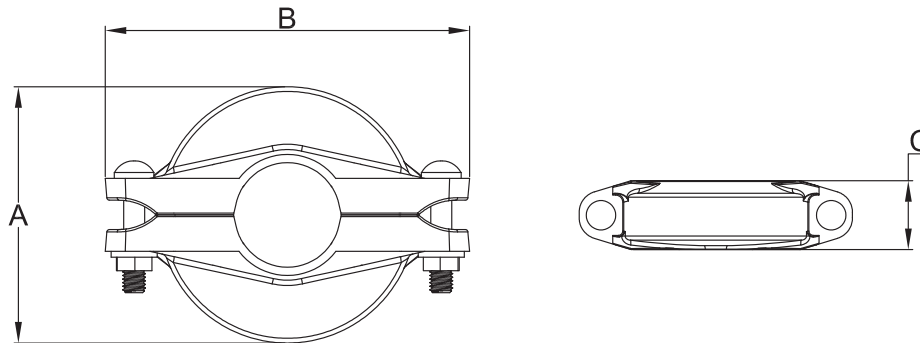


Table A

Nominal Size in (mm)	Pipe O.D. in (mm)	Max. End Load Lbs (KN)	Pipe End Gap in (mm)	Bolt Size x Length in	Deflection		Dimensions			Weight lb (kg)
					Per Coupling Deg.	Per Pipe in/ft (mm/m)	A in (mm)	B in (mm)	C in (mm)	
1-1/2 x 1-1/4 (40 x 32)	1.900 x 1.660 (48.3 x 42.2)	852 (3.79)	1/16 (1.6)	3/8 x 2	1.9°	3/8 (33)	2-3/4 (70)	4-7/16 (113)	1-3/4 (45)	1.54 (0.70)
2 x 1-1/2 (50 x 40)	2.375 x 1.900 (60.3 x 48.3)	1327 (5.91)	1/16 (1.6)	3/8 x 2-1/8	1.52°	5/16 (27)	3-1/4 (82)	5-1/8 (130)	1-13/16 (46)	1.83 (0.83)
2-1/2 x 1-1/4 (65 x 32)	2.875 x 1.660 (73.0 x 42.2)	1945 (8.66)	1/16 (1.6)	3/8 x 2-1/8	1.25°	1/4 (22)	3-13/16 (97)	6 (151)	1-13/16 (46)	2.54 (1.15)
2-1/2 x 1-1/2 (65 x 40)	2.875 x 1.900 (73.0 x 48.3)	1945 (8.66)	1/16 (1.6)	3/8 x 2-1/8	1.25°	1/4 (22)	3-13/16 (97)	6 (151)	1-13/16 (46)	2.65 (1.20)
2-1/2 x 2 (65 x 50)	2.875 x 2.375 (73.0 x 60.3)	1945 (8.66)	1/16 (1.6)	3/8 x 2-1/8	1.25°	1/4 (22)	3-13/16 (97)	6 (151)	1-13/16 (46)	2.31 (1.05)
3 x 2 (80 x 50)	3.500 x 2.375 (88.9 x 60.3)	2885 (12.84)	1/16 (1.6)	1/2 x 2-5/8	1.03°	1/4 (18)	4-7/16 (112)	6-9/16 (167)	1-13/16 (46)	3.09 (1.4)
3 x 2-1/2 (80 x 65)	3.500 x 2.875 (88.9 x 73.0)	2885 (12.84)	1/16 (1.6)	1/2 x 2-5/8	1.03°	1/4 (18)	4-7/16 (112)	6-9/16 (167)	1-13/16 (46)	2.78 (1.26)
4 x 2 (100 x 50)	4.500 x 2.375 (114.3 x 60.3)	4769 (21.22)	1/8 (3.2)	1/2 x 2-5/8	1.6°	5/16 (28)	5-9/16 (141)	8 (200)	2 (50)	5.40 (2.45)
4 x 2-1/2 (100 x 65)	4.500 x 2.875 (114.3 x 73.0)	4769 (21.22)	1/8 (3.2)	1/2 x 2-5/8	1.6°	5/16 (28)	5-9/16 (141)	8 (200)	2 (50)	4.68 (2.12)
4 x 3 (100 x 80)	4.500 x 3.500 (114.3 x 88.9)	4769 (21.22)	1/8 (3.2)	1/2 x 2-5/8	1.6°	5/16 (28)	5-9/16 (141)	8 (200)	2 (50)	4.63 (2.10)
6 x 4 (150 x 100)	6.625 x 4.500 (168.3 x 114.3)	10340 (46)	1/8 (3.2)	5/8 x 3-1/8	1.1°	1/4 (20)	8 (199)	10-13/16 (275)	2-1/16 (52)	9.26 (4.20)
8 x 6 (200 x 150)	8.625 x 6.625 (219.1 x 168.3)	17524 (77.97)	1/8 (3.2)	3/4 x 4-1/3	0.83°	3/16 (15)	10-1/16 (256)	13-1/4 (336)	2-1/4 (58)	15.66 (7.10)

RCD1 Pipe Compatibility

Table B

Nominal Size in (mm)	Groove Type	Pipe	Approvals
1-1/2 x 1-1/4 (40 x 32)	Rolled	10	cULus, FM
		Mega-Flow Schedule 7	cULus, FM
		Eddy Flow Schedule 7	cULus, FM
		Fire-Flo Schedule 7	FM
	Cut, Rolled	40	cULus, FM
2 x 1-1/2 (50 x 40)	Rolled	10	cULus, FM
		Mega-Flow Schedule 7	cULus, FM
		Eddy Flow Schedule 7	cULus, FM
		Hydroflow Schedule 7	cULus, FM
	Fire-Flo Schedule 7	FM	
Cut, Rolled	40	cULus, FM	
2-1/2 x 1-1/4 (65 x 32)	Rolled	10	cULus, FM
		Mega-Flow Schedule 7	cULus, FM
		Eddy Flow Schedule 7	cULus, FM
		Hydroflow Schedule 7	cULus, FM
	Fire-Flo Schedule 7	FM	
Cut, Rolled	40	cULus, FM	
2-1/2 x 1-1/2 (65 x 40)	Rolled	10	cULus, FM
		Mega-Flow Schedule 7	cULus, FM
		Eddy Flow Schedule 7	cULus, FM
		Hydroflow Schedule 7	cULus, FM
	Fire-Flo Schedule 7	FM	
Cut, Rolled	40	cULus, FM	
2-1/2 x 2 (65 x 50)	Rolled	10	cULus, FM
		Mega-Flow Schedule 7	cULus, FM
		Eddy Flow Schedule 7	cULus, FM
		Hydroflow Schedule 7	cULus, FM
	Fire-Flo Schedule 7	FM	
Cut, Rolled	40	cULus, FM	
3 x 2 (80 x 50)	Rolled	10	cULus, FM
		Mega-Flow Schedule 7	cULus, FM
		Eddy Flow Schedule 7	cULus, FM
		Hydroflow Schedule 7	cULus, FM
	Fire-Flo Schedule 7	FM	
Cut, Rolled	40	cULus, FM	
3 x 2-1/2 (80 x 65)	Rolled	10	cULus, FM
		Mega-Flow Schedule 7	cULus, FM
		Eddy Flow Schedule 7	cULus, FM
		Hydroflow Schedule 7	cULus, FM
	Fire-Flo Schedule 7	FM	
Cut, Rolled	40	cULus, FM	

RCD1 Pipe Compatibility (cont.)

Table B

Nominal Size in (mm)	Groove Type	Pipe	Approvals
4 x 2 (100 x 50)	Rolled	10	cULus, FM
		Mega-Flow Schedule 7	cULus, FM
		Eddy Flow Schedule 7	cULus, FM
		Hydroflow Schedule 7	cULus, FM
		Fire-Flo Schedule 7	FM
	Cut, Rolled	40	cULus, FM
4 x 2-1/2 (100 x 65)	Rolled	10	cULus, FM
		Mega-Flow Schedule 7	cULus, FM
		Eddy Flow Schedule 7	cULus, FM
		Hydroflow Schedule 7	cULus, FM
		Fire-Flo Schedule 7	FM
	Cut, Rolled	40	cULus, FM
4 x 3 (100 x 80)	Rolled	10	cULus, FM
		Mega-Flow Schedule 7	cULus, FM
		Eddy Flow Schedule 7	cULus, FM
		Hydroflow Schedule 7	cULus, FM
		Fire-Flo Schedule 7	FM
	Cut, Rolled	40	cULus, FM
6 x 4 (150 x 100)	Rolled	10	cULus, FM
		Mega-Flow Schedule 7	cULus, FM
		Eddy Flow Schedule 7	cULus, FM
		Hydroflow Schedule 7	cULus, FM
		Fire-Flo Schedule 7	FM
	Cut, Rolled	40	cULus, FM
8 x 6 (200 x 150)	Rolled	10	cULus, FM
		Mega-Flow Schedule 7	cULus
	Cut, Rolled	40	cULus, FM

Notes:

1. 10 refers to Schedule 10 steel pipe in accordance with NFPA 13.
2. 40 refers to Schedule 40 steel pipe in accordance with NFPA 13.
3. Fire-Flo Schedule 7 refers to Youngstown Tube Schedule 7 pipes.
4. Mega-Flow Schedule 7 refers to Listed Mega-Flow steel Pipe manufactured by Wheatland Tube Co.
5. Eddy Flow Schedule 7 refers to Listed Eddy Flow steel pipe manufactured by Bull Moose Tube Co.
6. Hydroflow Schedule 7 refers to Listed Nucor Hydroflow steel pipe manufactured by Nucor Tubular Products Inc.
7. 1-1/4" x 1-1/2" RCD coupling does not use a steel reinforcing ring; the similarity in outlet sizing does not require one and all 3rd party qualification was performed without using a steel ring.